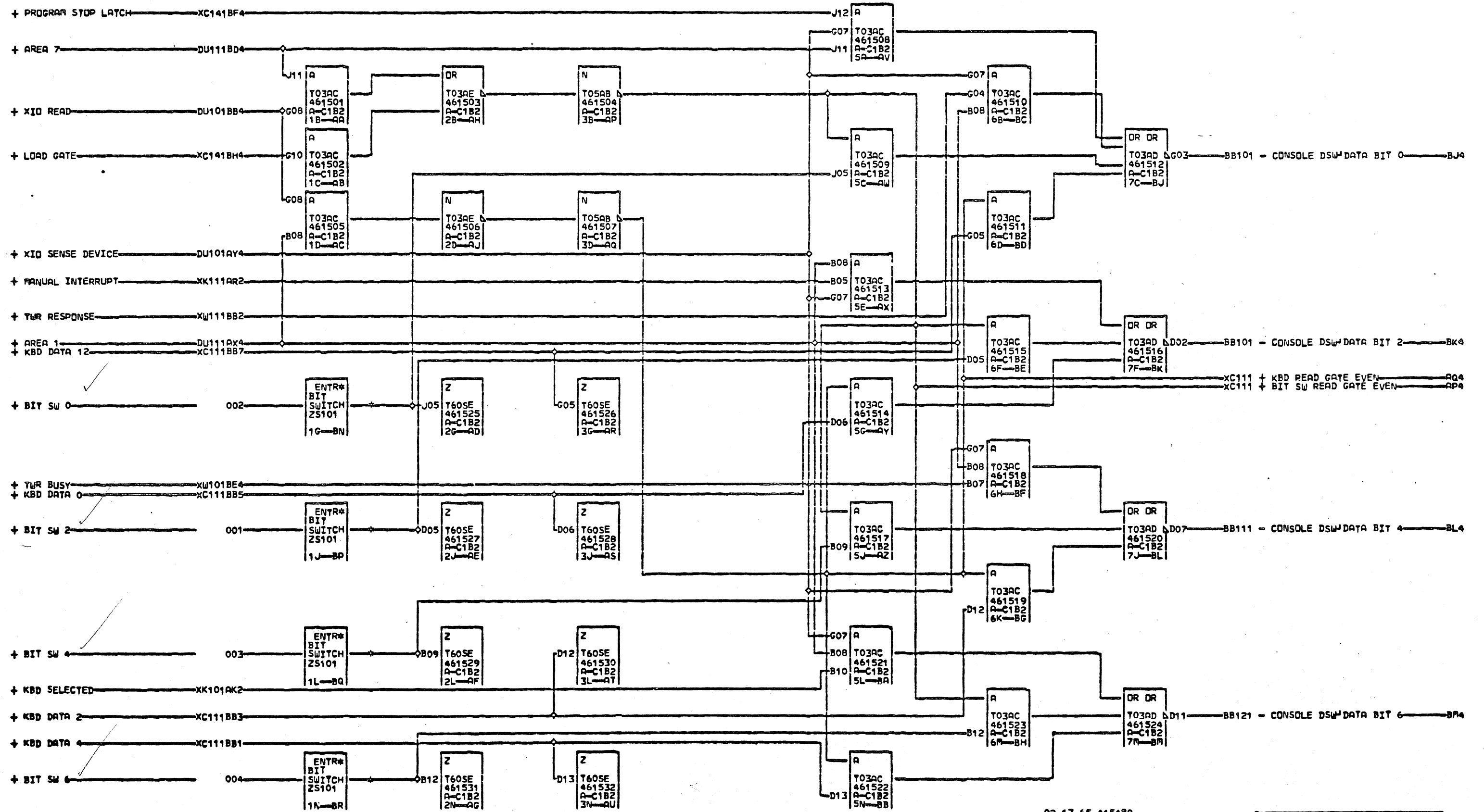


PAGE NAME	PAGE NO.	P/N
CONSOLE DSW <sup>J</sup> DATA BITS 0 2 4 6	XC101	2201117
CONSOLE DATA BITS 8 10 12 14 KBD DATA A	XC111	2201118
CONSOLE DSW <sup>J</sup> DATA BITS 1 3 5 7	XC121	2201119
CONSOLE DATA BITS 9 11 13 15 KBD DATA B	XC131	2201120
PROG LOAD RESET COND T6 <sup>J</sup> X6 PWR PROG STOP LATCH	XC141	2201121
FILE SHIFT SP COUNTER SP LOAD WORD CTR SP FILE LOAD SP	XF101	2201130
B REGISTER INVERTERS SECTOR PULSE FILTER	XF111	2201131
FILE R <sup>J</sup> W SEL R <sup>J</sup> W REQ READ CHK OP LOAD SYNC WORD	XF121	2201122
FILE R <sup>J</sup> W COND WRITE SYNC BIT CTR GATE BUSY NOT RDY	XF131	2201123
FILE SHIFT GATE COUNTER SPL RESET SHIFT REG INPUT TGR	XF141	2201124
FILE ERROR INT REQ LVL 2 FILE RESET INCR WORD COUNT	XF151	2201125
FILE WRITE DATA GATE CHK COUNTER GATE REQ CS LVL 0	XF161	2201126
FILE ACCESS BUSY <sup>J</sup> HOME <sup>J</sup> RDY ACCESS GO SETTLE S S	XF171	2201127
FILE SECTOR COUNTER R <sup>J</sup> W S S SECTOR EQUAL	XF181	2201128
FILE HEAD SELECT ACCESS DIRECTION	XF191	2201129
FILE WORD COUNT REGISTER STEP MODE	XF201	2201132
FILE WORD COUNT REGISTER	XF211	2201133
FILE CORE ADDRESS REGISTER BITS 9-15	XF221	2201138
FILE CORE ADDRESS REGISTER BITS 2-8	XF231	2201139
FILE BIT COUNTER	XF241	2201140
FILE CHECK COUNTER XIO INVERTERS	XF251	2201141
FILE INPUT BUSS ASSEMBLY BITS 0-7	XF261	2201142
FILE INPUT BUSS ASSEMBLY BITS 8-15	XF271	2201143
FILE DATA REGISTER BITS 0-3	XF301	2201134
FILE DATA REGISTER BITS 4-7	XF311	2201135
FILE DATA REGISTER BITS 8-11	XF321	2201136
FILE DATA REGISTER BITS 12-15	XF331	2201137
PLOTTER DRUM AND CARR DRIVE BUSY SS 1 AND 2	XG101	2201145
PLOTTER PEN DRIVE-RESPONSE BUSY SS 3 AND 4-READY	XG111	2201146
KBD SELECT <sup>J</sup> RESPONSE GATE SS 1 SS 2 INT LVL 4	XK101	2201147
KBD RESTORE <sup>J</sup> RESPONSE TGR MANUAL INTERRUPT	XK111	2201148
PRINTER CARRIAGE CONTROLS AND USE METER SELECT	XP101	2201152
CARRIAGE CHANNEL LATCH	XP111	2201153
PRINTER RUN AND READY CONTROL	XP121	2201149
PRINTER DISC CLOCK SS AND C S CONTROLS	XP131	2201150
PRINTER ADDR REG AND GROUP DECODE	XP141	2201151
PRINTER INTERRUPT AND ERROR	XP201	2201154
PRINT BUFFER REGISTER BITS 0-7	XP211	2201155
PRINT BUFFER REGISTER BITS 8-15	XP221	2201156
PRINTER INPUT BUS BITS 0-3	XP301	2201157
PRINTER INPUT BUS BITS 4-7	XP311	2201158
PRINTER INPUT BUS BITS 8-15	XP321	2201159
PRINTER ENTRY	XP331	2201225
PRINTER EXIT	XP341	2201226
SRP ENTRY EXIT	XR111	2201181
SRP ENTRY	XR121	2201182
SRP START-READY-NPRO LATCHES	XR201	2201183
SRP MOTOR FEED CLUTCH LATCHES	XR211	2201184
SRP FEED INTLK-CARD IN PCH STA-CARD IN RD STA-ANY LAMP DARK	XR221	2201185
SRP ERROR CHK-MISFEED-STACKER JAM-FEED CHK READ AND PCH	XR231	2201186
SRP AREA 2 CTRL-XIO READ XIO FEED-XIO PUNCH	XP241	2201187
SRP INCR DRIVE A AND B-STACKER SEL-LAST PUNCH	XR251	2201188
SRP PUNCH-PCH DATA-BUSY-PROC METER-LAST CARD-BLOCK INT	XR261	2201189

PAGE NAME	PAGE NO.	P/N
SRP PUNCH MAGNET GATES	XR271	2201190
SRP FEED CB 1-2 - LVL 4 RESP PUNCH CB 1-2	XR281	2201198
SRP READ PUNCH LVL 0 RESP READ PUNCH DATA ERROR	XR291	2201199
SRP SS 1-SS 2-TGR 1-TGR 2 CLOCK A	XR301	2201191
SRP REG RESET COMP SPD-RD PCH INT ERR SPD-LOAD PCH DATA	XR311	2201192
SRP REGISTER COMPLEMENT BITS 12 11 0 1 2 3	XR321	2201193
SRP REGISTER COMPLEMENT BITS 4 5 6 7 8 9	XR331	2201194
SRP BUFFER REGISTER BITS 12 11 0 1	XR341	2201195
SRP BUFFER REGISTER BITS 2 3 4 5	XR351	2201196
SRP BUFFER REGISTER BITS 6 7 8 9	XR361	2201197
SRP DSW BITS AND DATA BITS 0 1 2 3 4 5 6 7	XR371	2201200
SRP DSW BITS AND DATA BITS 8 9 10 11 12 13 14 15	XR381	2201201
PAPER TAPE PROGRAM LOAD	XT101	2201288
PAPER TAPE PROG LOAD BUFFERS BITS 0-5	XT111	2201203
PAPER TAPE PROG LOAD BUFFERS BITS 6-11	XT121	2201204
PAPER TAPE PUNCH	XT201	2201289
PAPER TAPE PUNCH BUFFERS DRIVE 1 A B 8TH	XT211	2201206
PAPER TAPE PUNCH BUFFERS DRIVE 2 4 8 C	XT221	2201291
PAPER TAPE PUNCH CONTROL	XT231	2201346
PAPER TAPE READ CLUTCH DRIVE READY-BUSY-RESPONSE	XT301	2201292
PT READ CONTACTS 1 2 4 8 STROBE DATA BITS 4 5 6 7	XT311	2201293
PT READ CONTACTS A B C 8TH DATA BITS 0 1 2 3	XT321	2201210
PAPER TAPE READER OSC AND CONTROL	XT331	2201287
TWR BUSY BUFFER LOAD SP SS 1 TWR INTLK	XW101	2201211
TWR EOL CR-LF RESET SP RESPONSE UPPER LOWER CASE	XW111	2201212
TWR SHIFT UP DOWN SHIFT CYCL CRLFT INTLK INTERLOCK LATCH	XW121	2201227
TWR DRIVE SEL T1 T2 R1 R2A CR-LF AND EOL TAB SPACE	XW211	2201213
TWR DRIVE SEL R2 R5 AUX RIBBON SHIFT PRINT INTLK	XW221	2201214



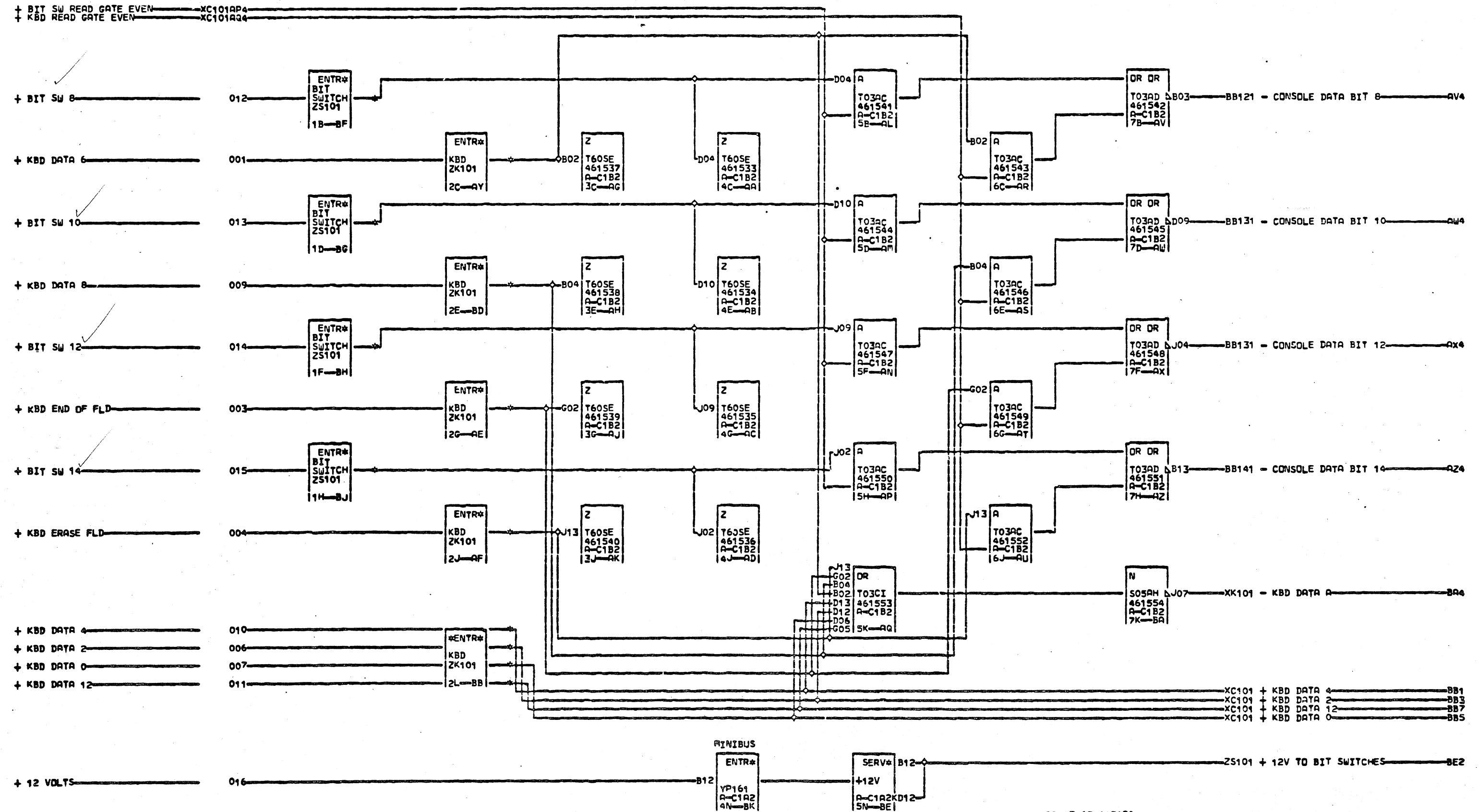
BN6 A-C1A2B02  
 BP4 A-C1A2B03  
 BQ4 A-C1A2B04  
 BR4 A-C1A2B05

02-17-65 415480  
 04-28-65 415480D  
 07-20-65 415481  
 08-26-65 415483  
 02-24-67 419633

CONSOLE DSW DATA BITS 0 2 4 6			
DATE	03-09-67	PACH.	1131
LOG	047F	FRAME	01
		P.No.	2201117
IBM CORP.	CPD	BLK.	BS

XC101  
000

XC101  
000



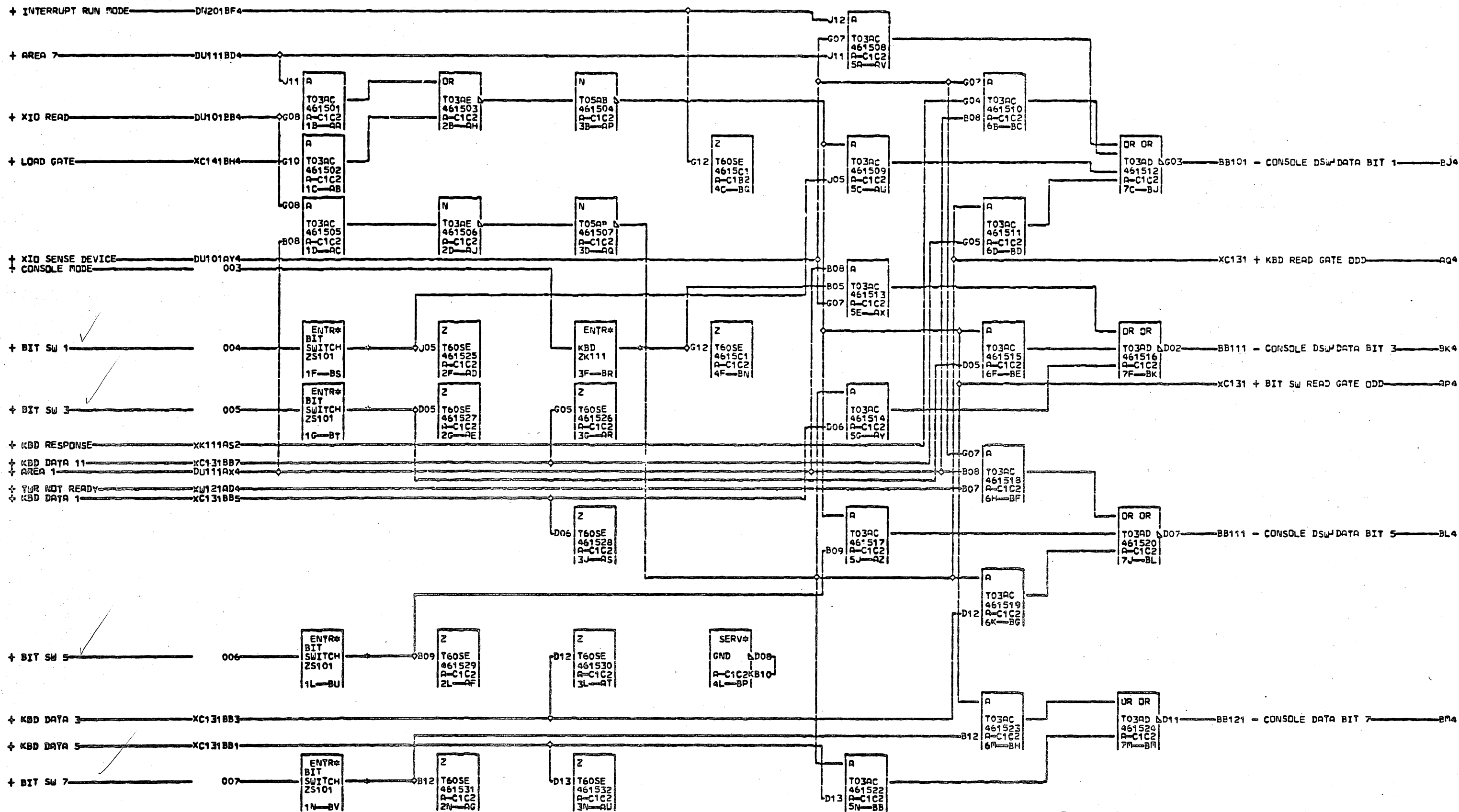
- AE4 A-C1A3B09
- AF4 A-C1A3B10
- AY4 A-C1A3B07
- BB1 A-C1A3B05
- BB3 A-C1A3B04
- BB5 A-C1A3B03
- BB7 A-C1A3B02
- BD4 A-C1A3B08
- BF4 A-C1A2B07
- BG4 A-C1A2B08
- BH4 A-C1A2B09
- BJ4 A-C1A2B10

02-17-65 415480  
 04-28-65 415480D  
 07-20-65 415481  
 08-26-65 415483  
 02-24-67 419633

CONSOLE DATA BITS 8 10 12 14		X C 1 1
KBD DATA A		
DATE	03-09-67 MACH. 1131	000
LOG	047F FRARE 01	
	P# 2201118	
IBM CORP.	GPD BLK.	BL

000





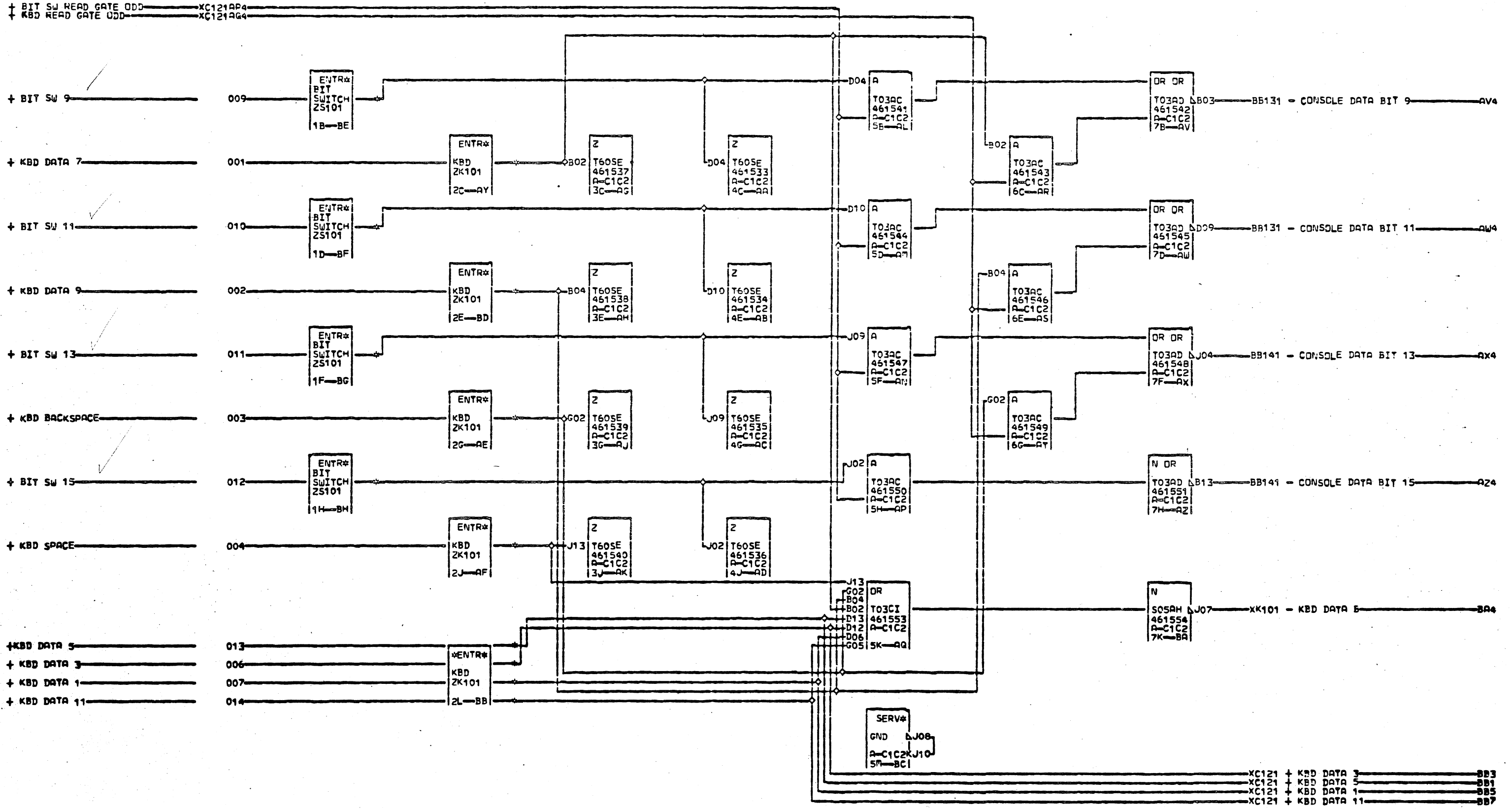
BR4 A-C1A5D02  
 BS4 A-C1A2D02  
 BT4 A-C1A2D04  
 BU4 A-C1A2D05  
 BV4 A-C1A2D06

02-17-65 415480  
 04-28-65 415490D  
 07-20-65 415481  
 08-26-65 415483  
 02-24-67 419633

CONSOLE DSU DATA BITS 1 3 5 7		
DATE	03-09-67	MACH# 1131
LOG	047F	FRAME 01
P.No 2201119		
IBM CORP.	GPD BLK.	BW

X  
C  
1  
2  
1

X  
C  
1  
2  
1

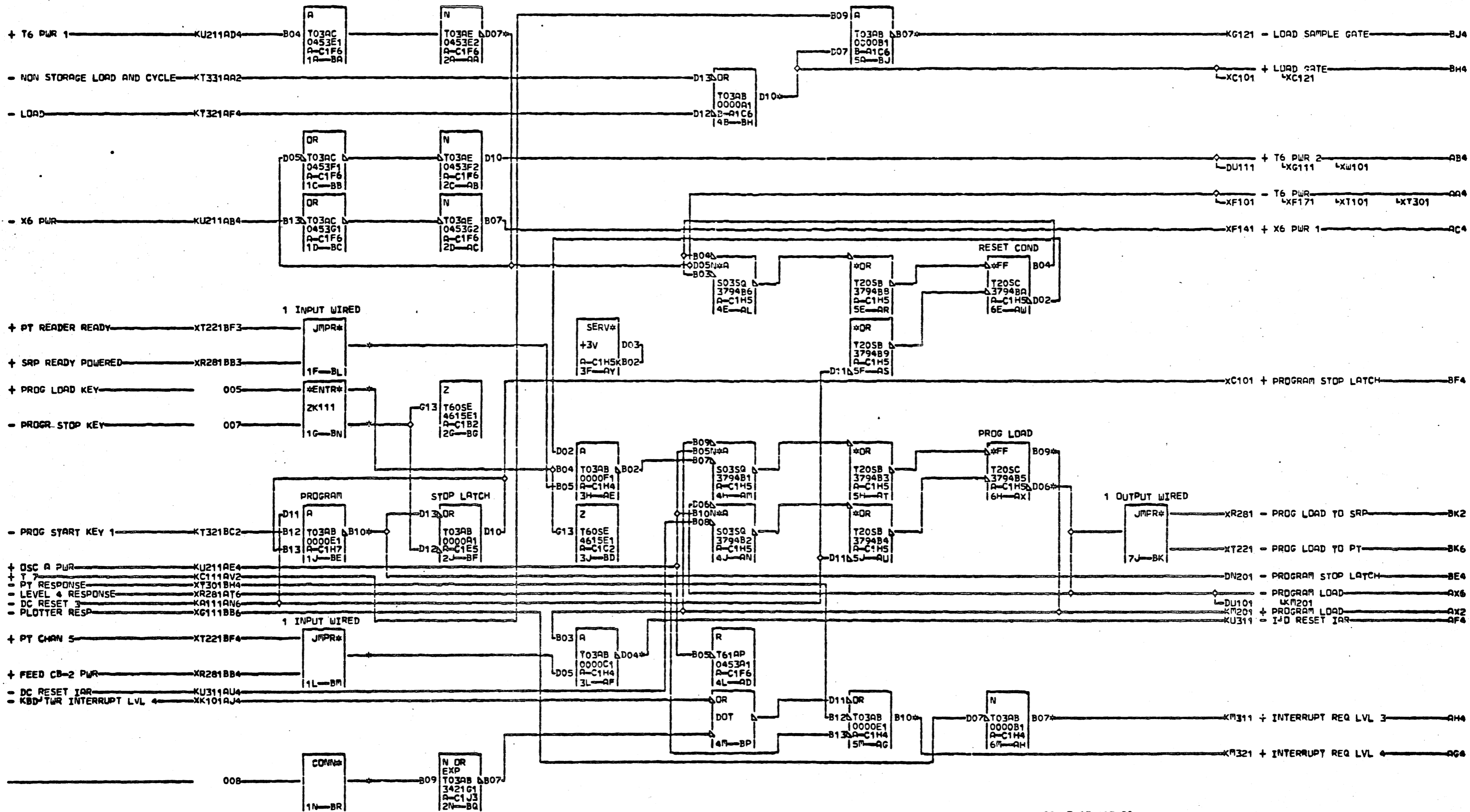


XC121 + KBD DATA 3 = BB3  
 XC121 + KBD DATA 5 = BB1  
 XC121 + KBD DATA 1 = BB5  
 XC121 + KBD DATA 11 = BB7

RE4 A-C1A3D10 BF4 A-C1A2D09  
 AF4 A-C1A3D11 BC4 A-C1A2D10  
 AY4 A-C1A3D07 BH4 A-C1A2D11  
 BB1 A-C1A3D06  
 BB3 A-C1A3D05  
 BB5 A-C1A3D04  
 BB7 A-C1A3D02  
 BD4 A-C1A3D09  
 BE4 A-C1A2D07

02-17-65 415480  
 04-28-65 415480D  
 07-20-65 415481  
 08-26-65 415483  
 02-24-67 419633

CONSOLE DATA BITS 9 11 13 15			
KBD DATA 5			
DATE	03-09-67	MACH.	1131
LOG	047F	FRAME	01
P.No.		2201120	
IBM CORP.	CPD BLK.	BJ	000

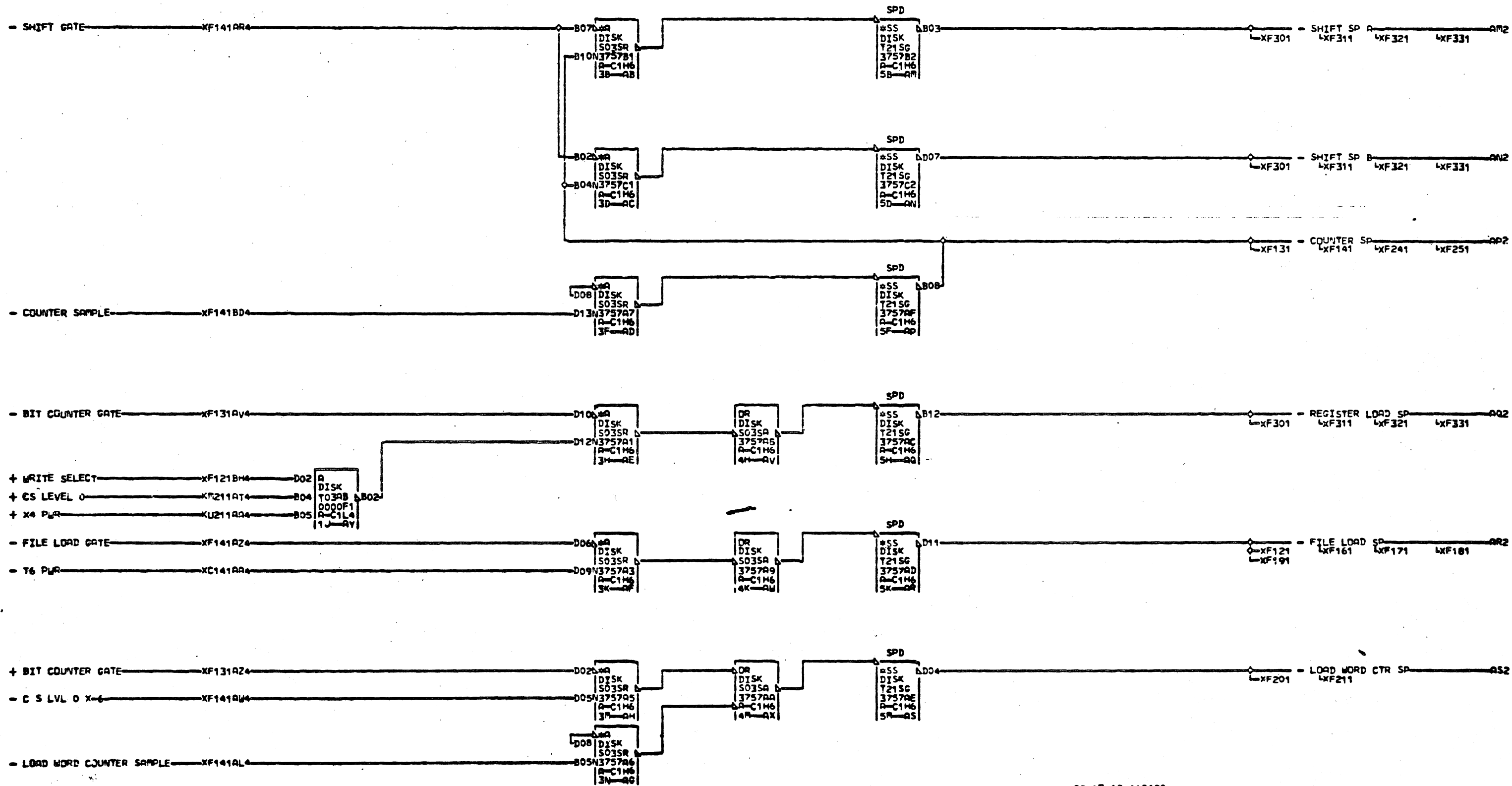


XC141

AA A-C1A7D02	01B-A1A6D04	BE4 A-C1N4D02	01A-B1C1E09
01A-B1N7D02	AH4 A-C1N4B03	01B-A1A6D02	BN2 A-C1A5D06
01A-C1N2B13	01B-A1A6B03	BH4 B-A1A6B09	BN6 A-C1A5D05
01B-B1N5B13	AX2 A-C1N4D06	01A-C1N4B09	BR4 A-C1E8A06
AF4 A-B1N7D06	01B-A1A6D06	BJ4 B-A1N7D03	
01A-C1A7D06	AX6 B-A1A7B03	01B-B1A7D03	
01A-C1N4B08	01A-C1N6B03	BL4 A-C1C1D09	
01B-A1A6B08	01A-C1D1E09	01A-B1C1D09	
AG4 A-C1N4D04	01A-B1D1E09	BM4 A-C1C1E09	

02-17-65 415480  
 03-04-65 415480A  
 04-28-65 415480D  
 07-20-65 415481  
 08-26-65 415483  
 05-16-66 419609  
 02-24-67 419633

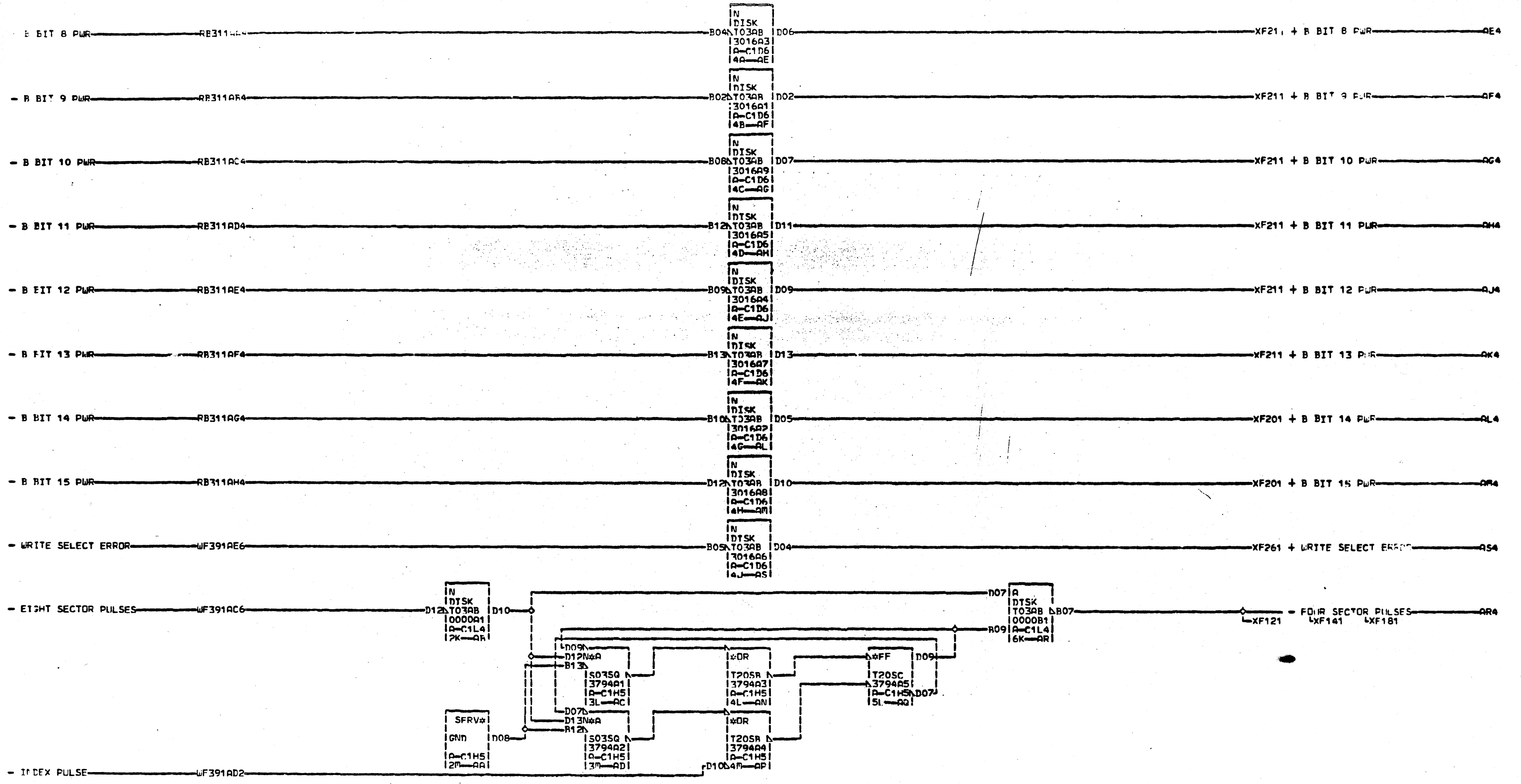
PROG LOAD RESET COND T6 X6  
 PWR PROG STOP LATCH  
 DATE 03-09-67 MACH. 1131  
 LOG 047F FRAME 01  
 P.No 2201121  
 IBM CORP. GPD BLK. BS



02-17-65 415480  
 03-04-65 415480A  
 04-28-65 415480D  
 07-20-65 415481  
 08-26-65 415483  
 02-24-67 419633

FILE SHIFT SP COUNTER SP			
LOAD WORD CTR SP FILE LOAD SP			
DATE	03-09-67	RACH#	1131
LDC	047F	FRAME	01
		PaNo	2201130
IBM COMP.	OPD	BLK#	AZ

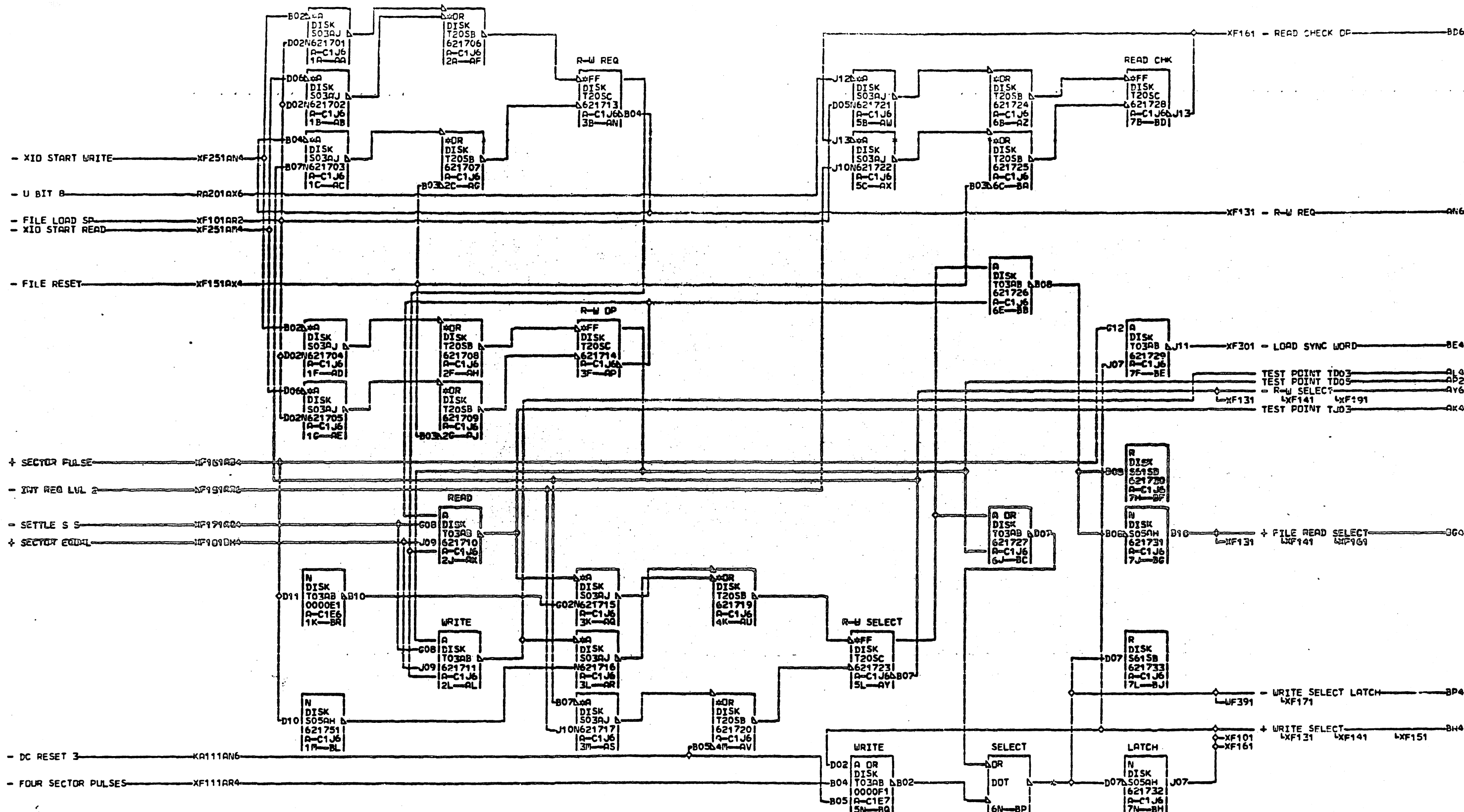
K101-000



X  
F  
1  
1  
1  
000

02-17-65 415480  
 03-04-65 415480A  
 04-28-65 415480D  
 08-26-65 415483  
 10-27-65 415491

B REGISTER INVERTERS SECTOR PULSE FILTER		
DATE	11-12-65	FACH. 117
LOG	301K FRAME	01
P.N. 2201171		
IBM CORP.	GFD. PLK.	AT



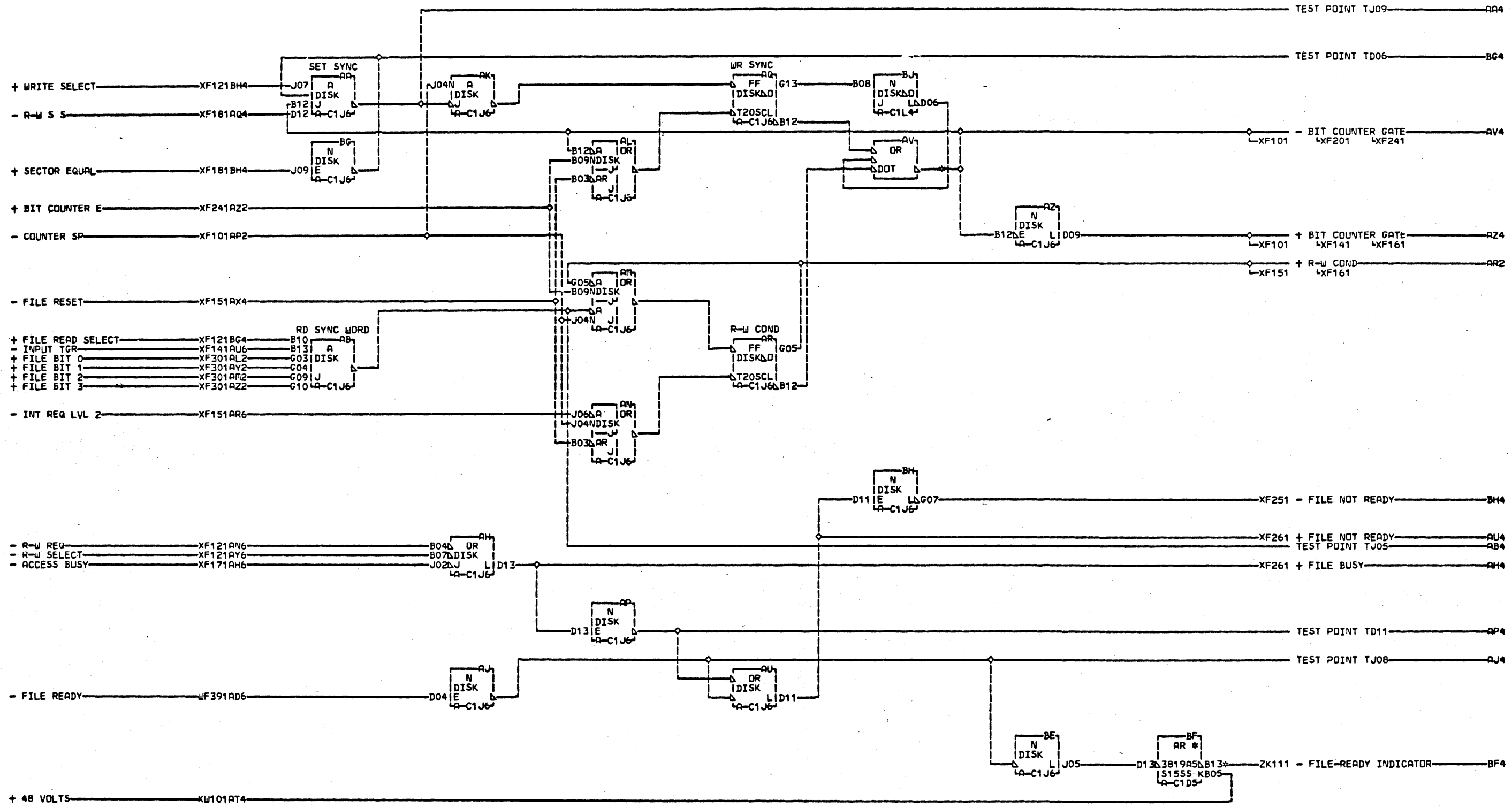
BP4 A-C1N7D11  
01A-C1N7D10

02-17-65 415480  
03-04-65 415480A  
04-28-65 415480D  
07-20-65 415481  
08-26-65 415483  
10-27-65 415491  
05-30-66 41961:

FILE R/W SEL	R/W REQ		
READ CHK OP	LOAD SYNC WORD		
DATE 05-31-66	MACH# 1131		
LOG	144L FRAME	01	2
			1
		P#No	2201122
IBM CORP.	GDD B/LK.		000
			BS

XF  
1  
2  
1

000



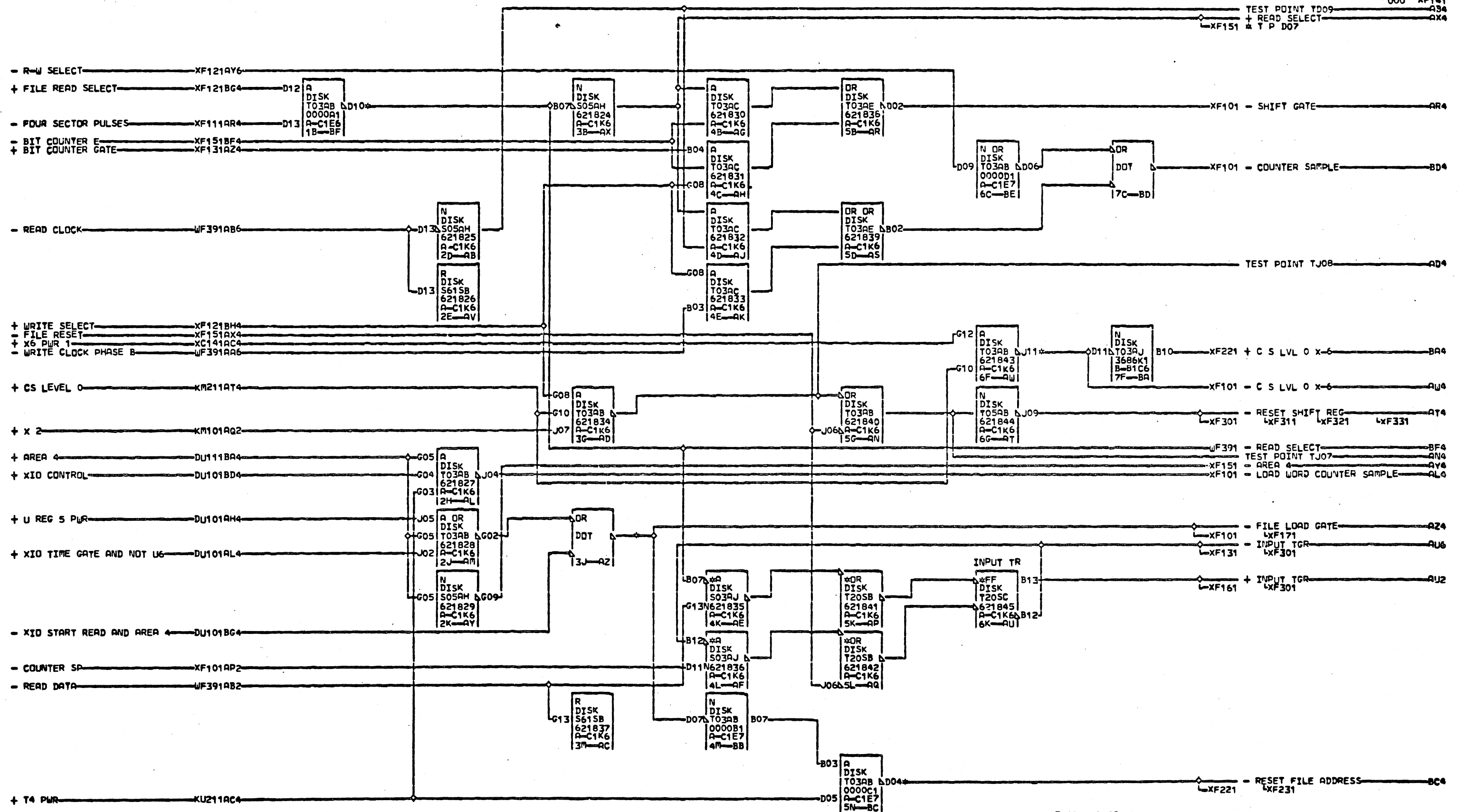
AV4 RESISTOR  
A-C1J6B12  
BF4 A-C1A5D11

LOC. TYPE  
A-C1D5 3819  
A-C1J6 6217  
A-C1L4 0000

FILE R/W COND	WRITE SYNC	BIT CTR GATE	BUSY NOT RDY
415480	415483	415480A	415491
415480A	415491	415480D	415709G
415481	419613	DATE	LAST EC
107-12-68	419659	PeNo	2201123

X  
F  
1  
3  
1  
000

X  
F  
1  
3  
1  
000



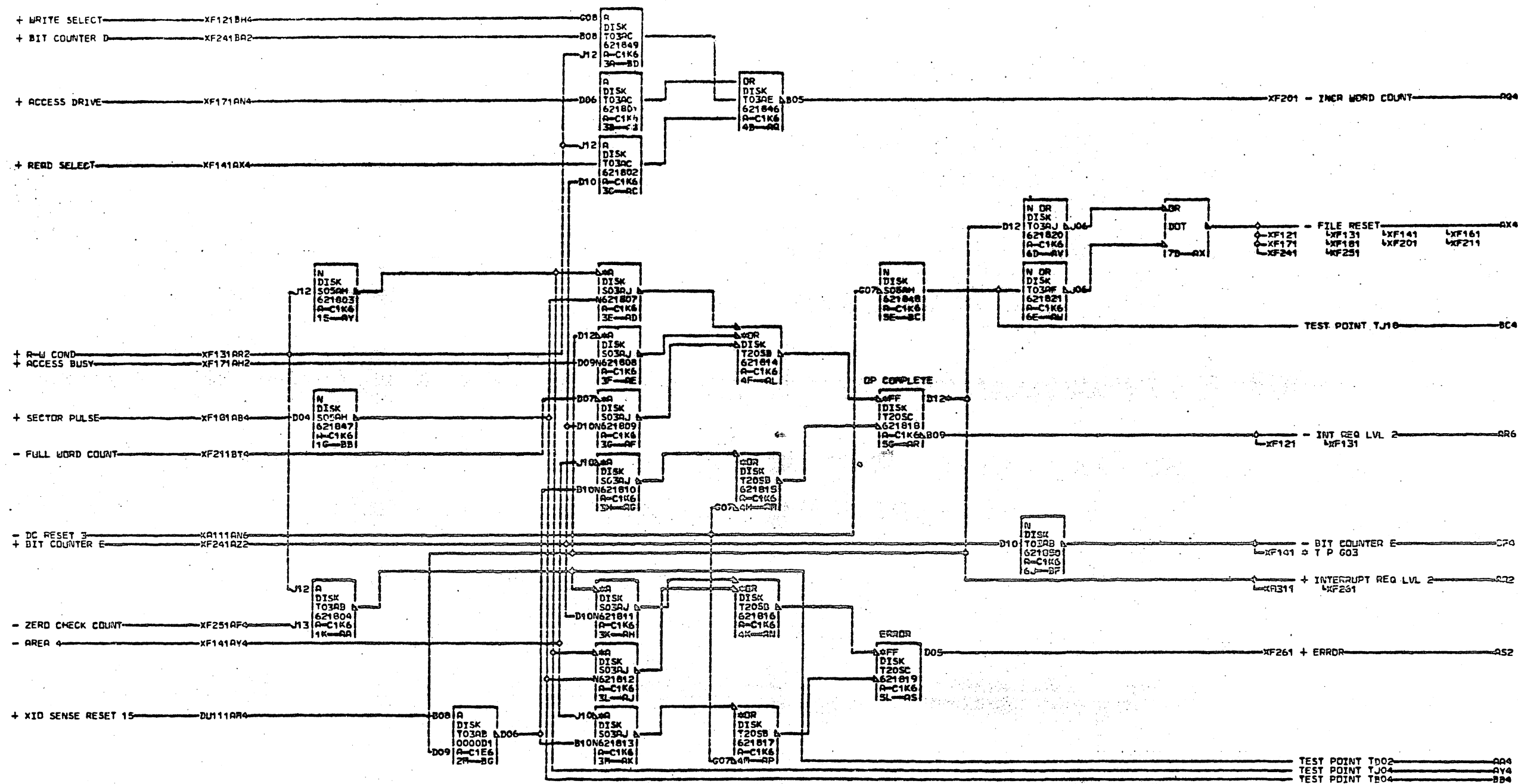
X  
F  
1  
4  
1  
000

AW4 A-C1N2D12  
 01B-B1N5D12  
 01B-B1A7B08  
 01B-A1N7B08  
 A24 A-C1N3B13  
 01B-B1B6B13  
 BC4 A-C1N2D13  
 01B-B1N5D13  
 BF4 A-C1N7B09

02-17-65 415480  
 03-04-65 415480A  
 04-28-65 415480D  
 07-20-65 415481  
 08-26-65 415483  
 10-27-65 415491  
 02-24-67 419633

FILE SHIFT GATE	COUNTER SPL	X
RESET SHIFT REG	INPUT TGR	F
DATE 03-09-67	FRAC# 1131	1
LOG 047F	FRAME 01	4
		1
	PaNo 2201124	000
IBM CORP.	GPD BLKs	BC



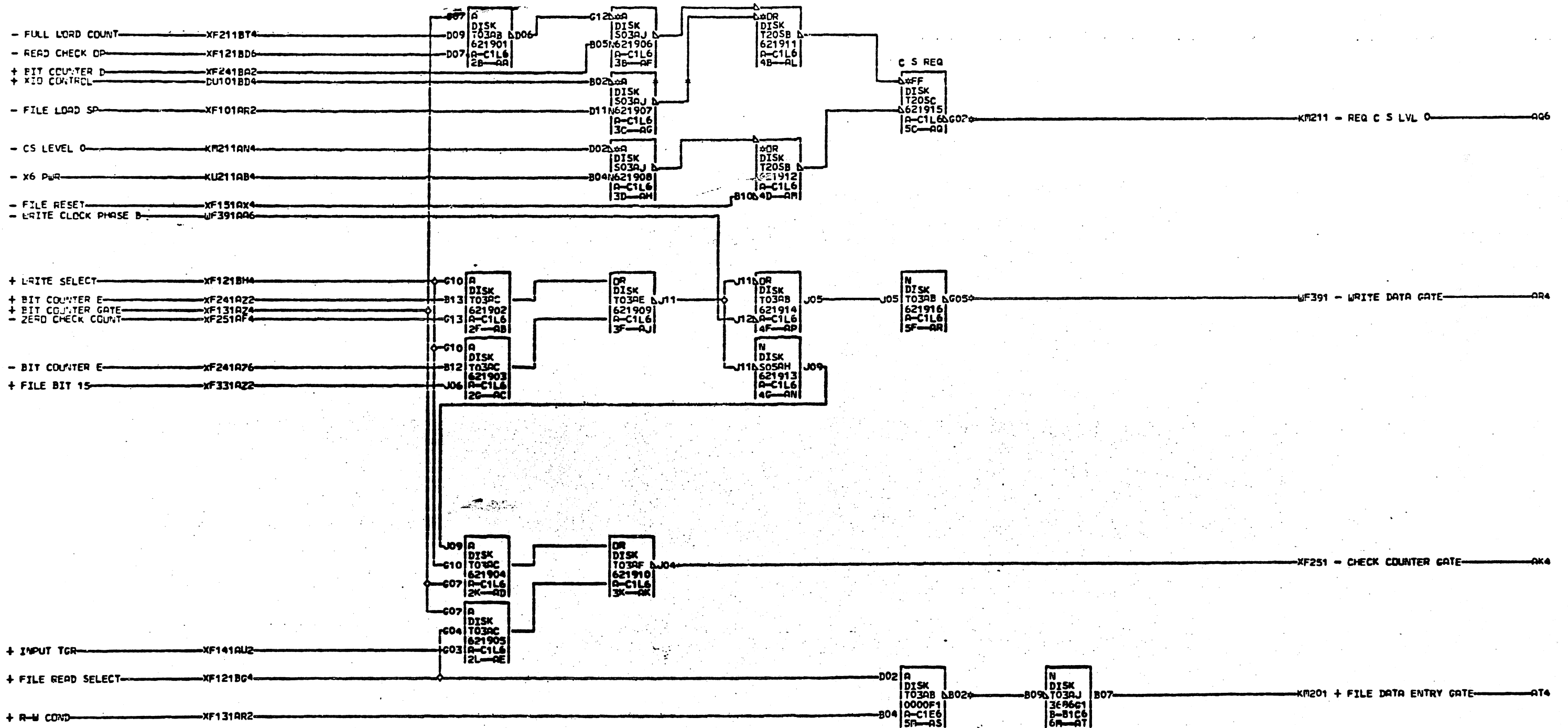


AR2 A-C1M4B02  
01B-A1A6B02

X  
F  
1  
5  
1  
000

02-17-65 415480  
03-04-65 415480A  
04-28-65 415480D  
07-20-65 415481  
08-26-65 415483  
10-27-65 415491

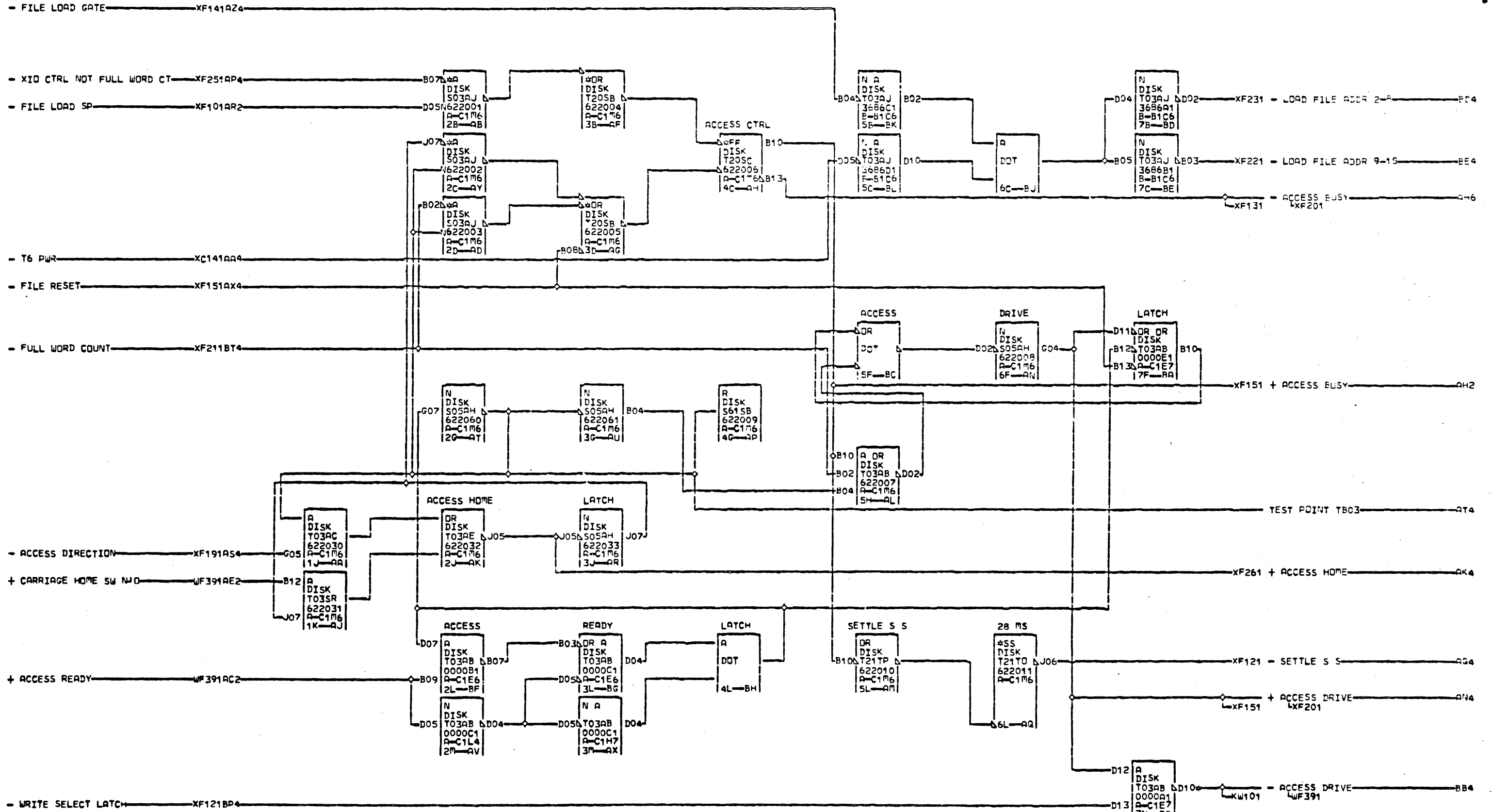
FILE ERROR	INT REQ LVL 2	X
FILE RESET	INCR WORD COUNT	F
DATE	10-27-65	1
	FRAC# 1131	5
LOG	3005 FRAME	1
	P# 2201125	000
IBM CORP.	GPD BLK.	BH



AQ6 A-C1N4B07  
 01B-A1A6B07  
 AR4 A-C1N7B13  
 AS4 A-C1N3B12  
 01B-B1B6B12

02-17-65 415480  
 03-04-65 415480A  
 04-28-65 415480D  
 07-20-65 415481  
 08-26-65 415483  
 10-27-65 415491  
 05-30-66 419613

FILE WRITE DATA GATE	CHK
COUNTER GATE	REQ CS LVL 0
DATE	05-31-66 RACH# 1131
LOG	144L FRAME 01
	P.No 2201126
IBM CORP.	GPD BLK# AU

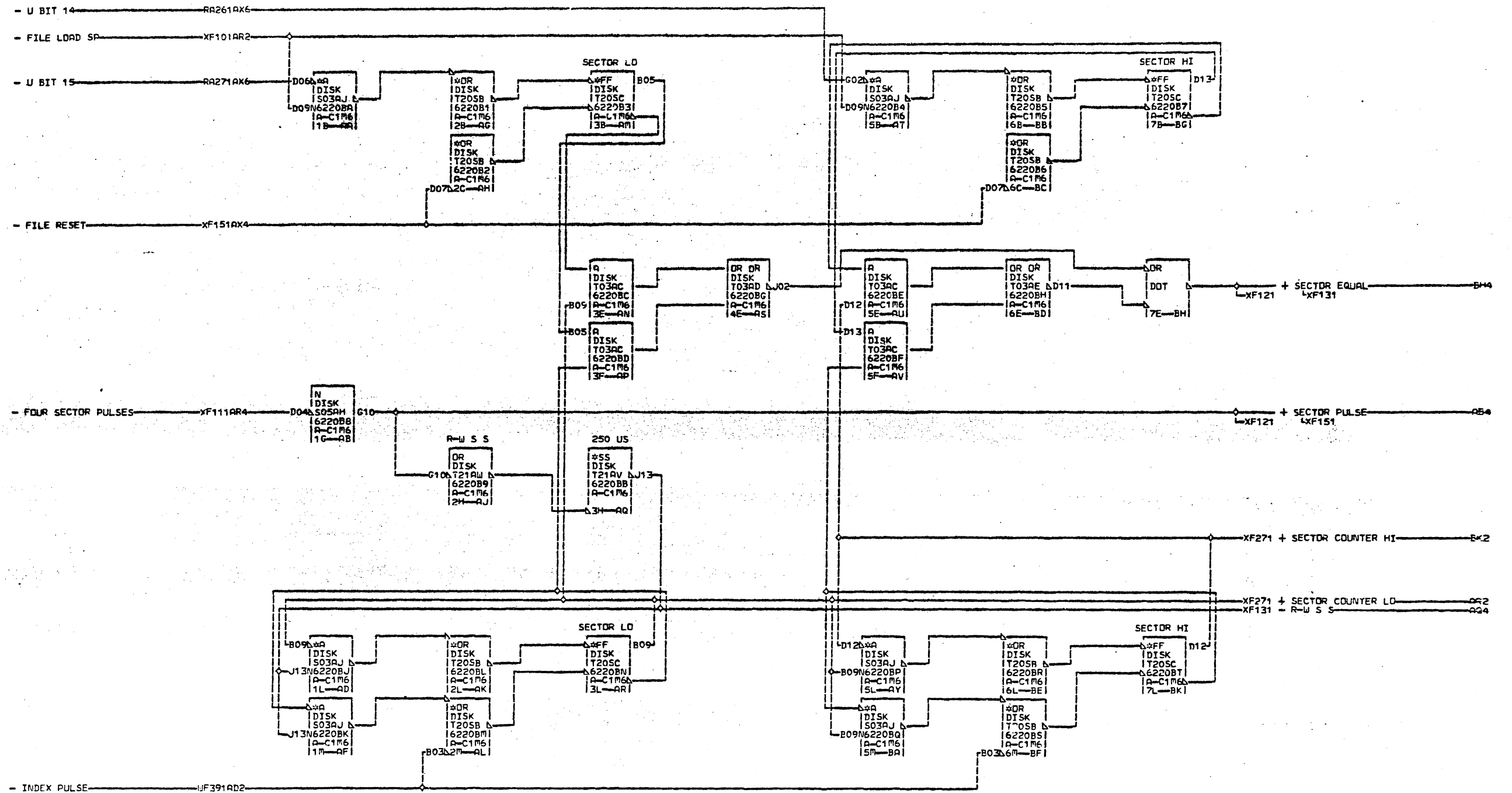


BB4 A-C1N7D04

02-17-65 415480  
 03-04-65 415480A  
 04-28-65 415480D  
 07-20-65 415481  
 08-26-65 415483  
 09-30-65 415488  
 10-27-65 415491  
 02-24-67 419633

FILE ACCESS BUSY	HOME	RDY		
ACCESS GO	SETTLE S S			
DATE	03-09-67	MACH	1131	X
LOG	047F	FRAME	01	F
				7
				1
				1
				000
IBM CORP.	GPD	BLK		

X  
 7  
 7  
 1  
 000

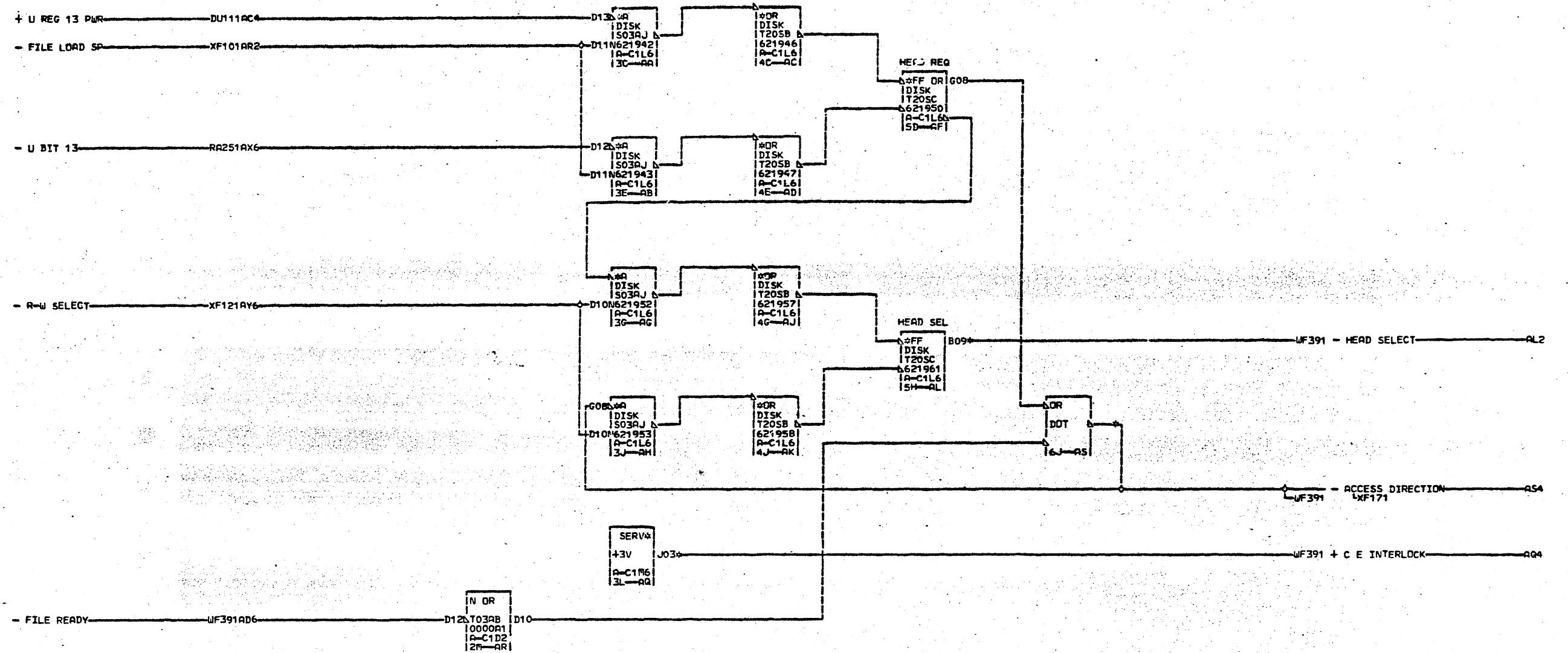


X  
F  
1  
8  
1  
  
000

02-17-65 415480  
03-04-65 415480A  
04-28-65 415480D  
07-20-65 415481  
08-26-65 415483  
10-27-65 415491

FILE SECTOR COUNTER		
R-W S S SECTOR EQUAL		
DATE	11-12-65	MACH# 1131
LOG	301K FRAME	01
	P#	2201128
IBM CORP.	GPD BLK.	BL

X  
F  
1  
8  
1  
  
000



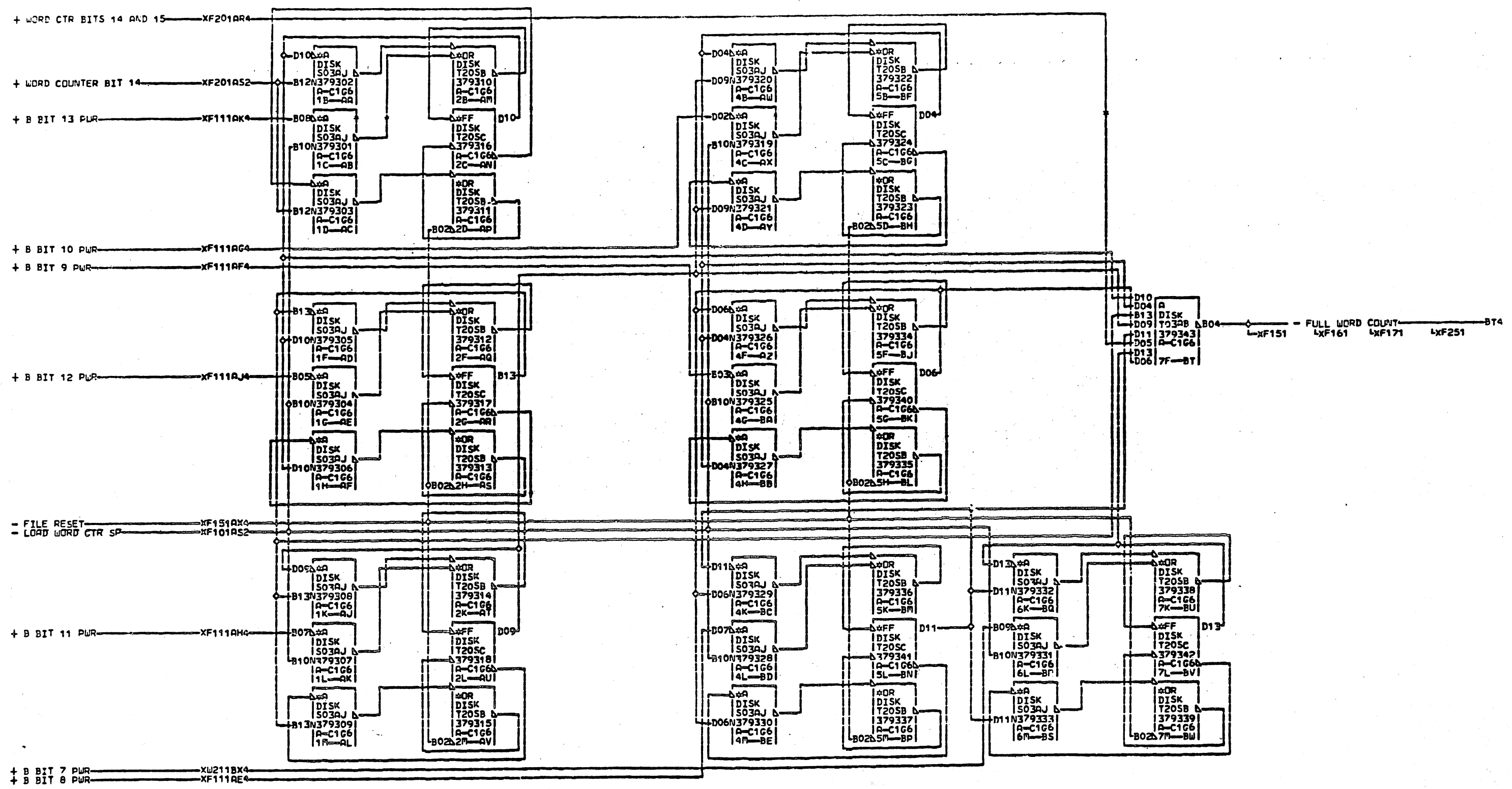
X  
F  
1  
9  
1  
000

AL2 A-C1N7D09  
AQ4 A-C1N7D07  
AS4 A-C1N7B04

02-17-65 415480  
03-04-65 415480A  
04-28-65 415480D  
08-26-65 415483  
09-30-65 415488  
10-27-65 415491

FILE HEAD SELECT			X
ACCESS DIRECTION			F
DATE	11-12-65	PACH. 1131	1
LOG	301K FRAME	01	9
			1
		P.No. 2201129	000
IBM CORP.	GPD BLK.	AT	



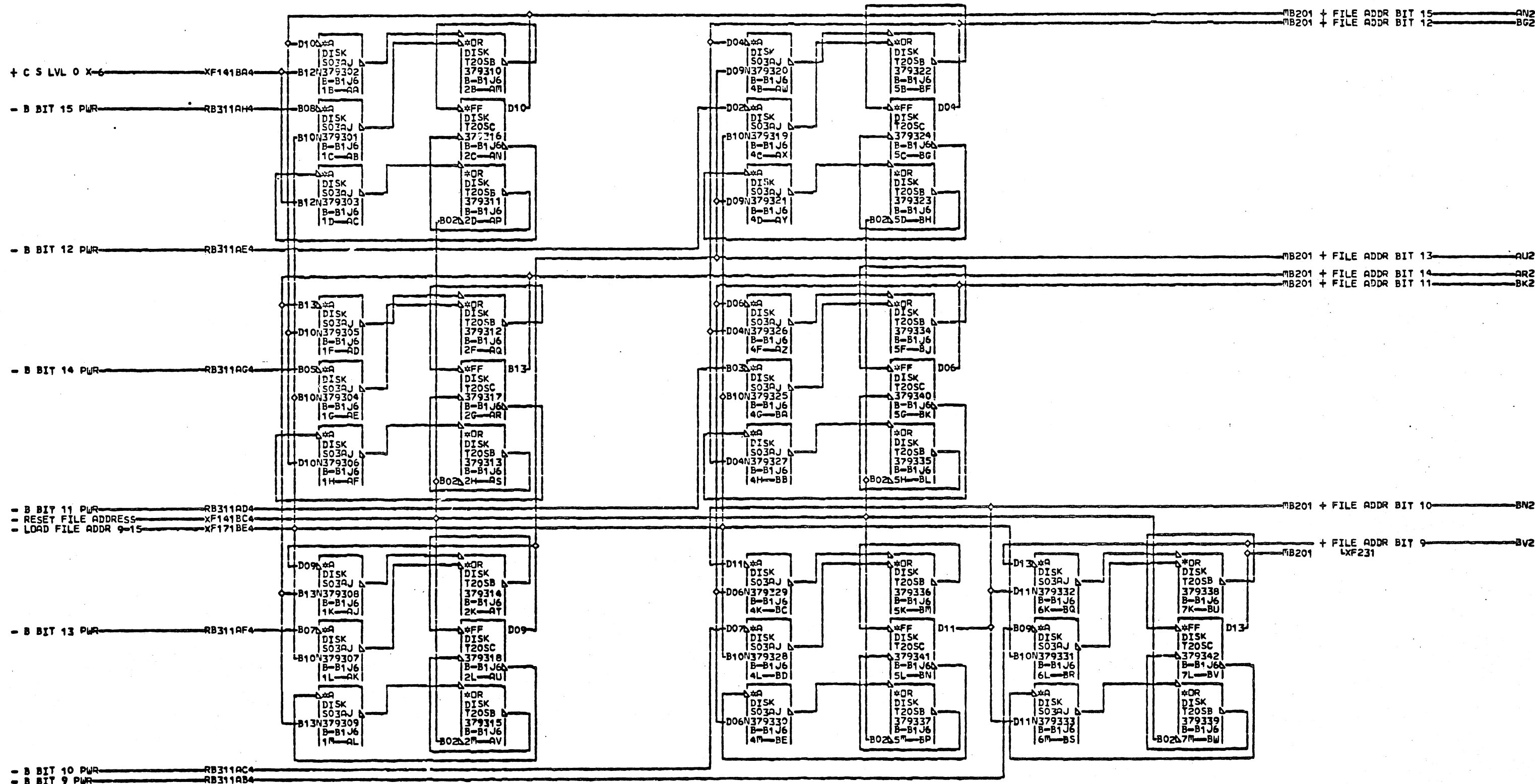


02-17-65 415480  
 03-04-65 415480A  
 04-28-65 415480D  
 08-28-65 415483  
 10-27-65 415491  
 05-30-66 419513

FILE WORD COUNT REGISTER		
DATE	05-31-66	MACH# 1131
LOG	144L FRAME	01
	P#No	2201133
IBM CORP.	GPD BLK#	BX

X  
2  
1  
1  
000

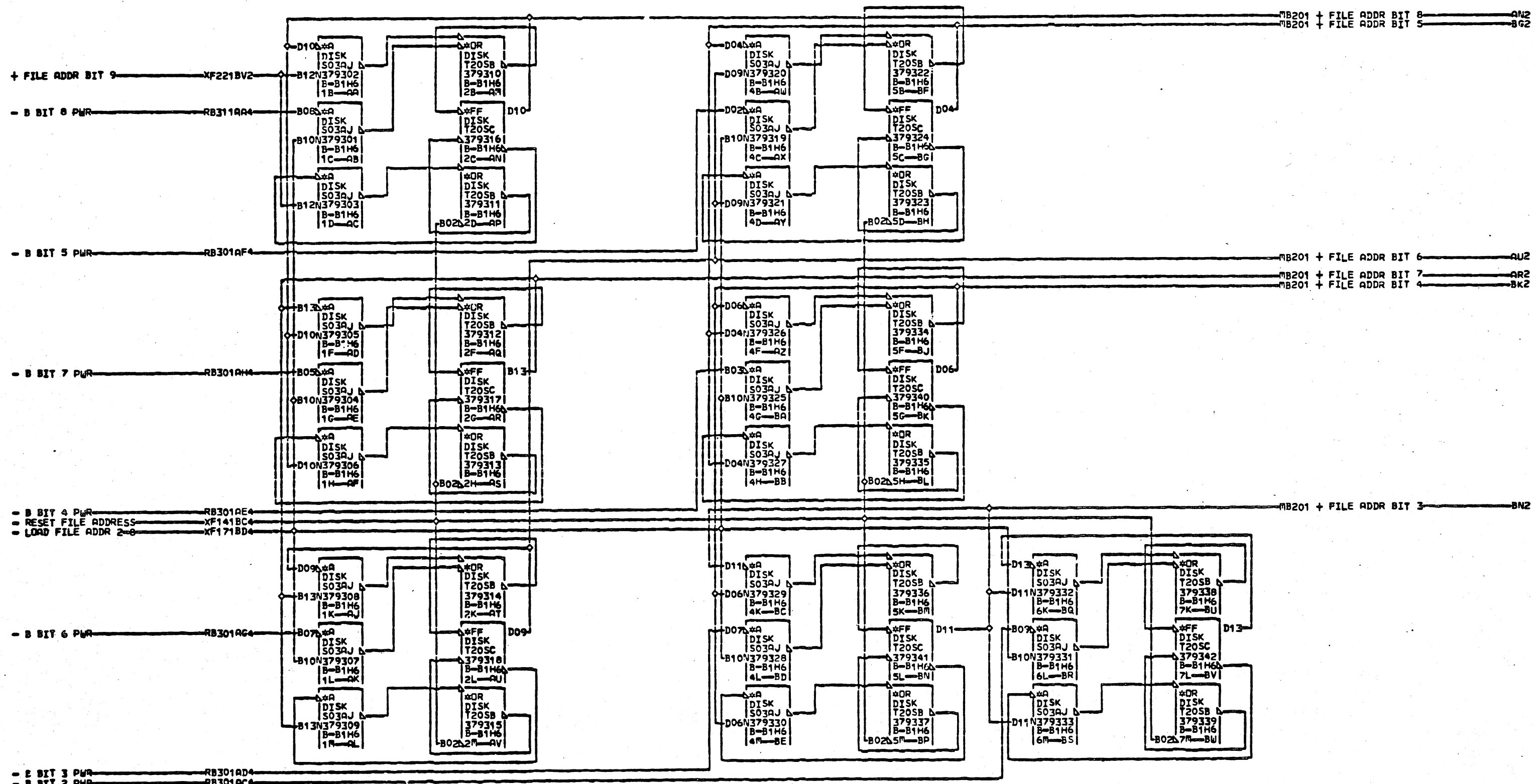
1-27X  
000



02-17-65 415480  
 03-04-65 415480A  
 04-28-65 415480D  
 07-20-65 415481  
 08-26-65 415483  
 02-24-67 419633

FILE CORE ADDRESS REGISTER		
BITS 9-15		
DATE	03-09-67	MACH. 1131
LOG	047F FRAME	01
P.No. 2201138		
IBM CORP.	GPD BLK.	BX





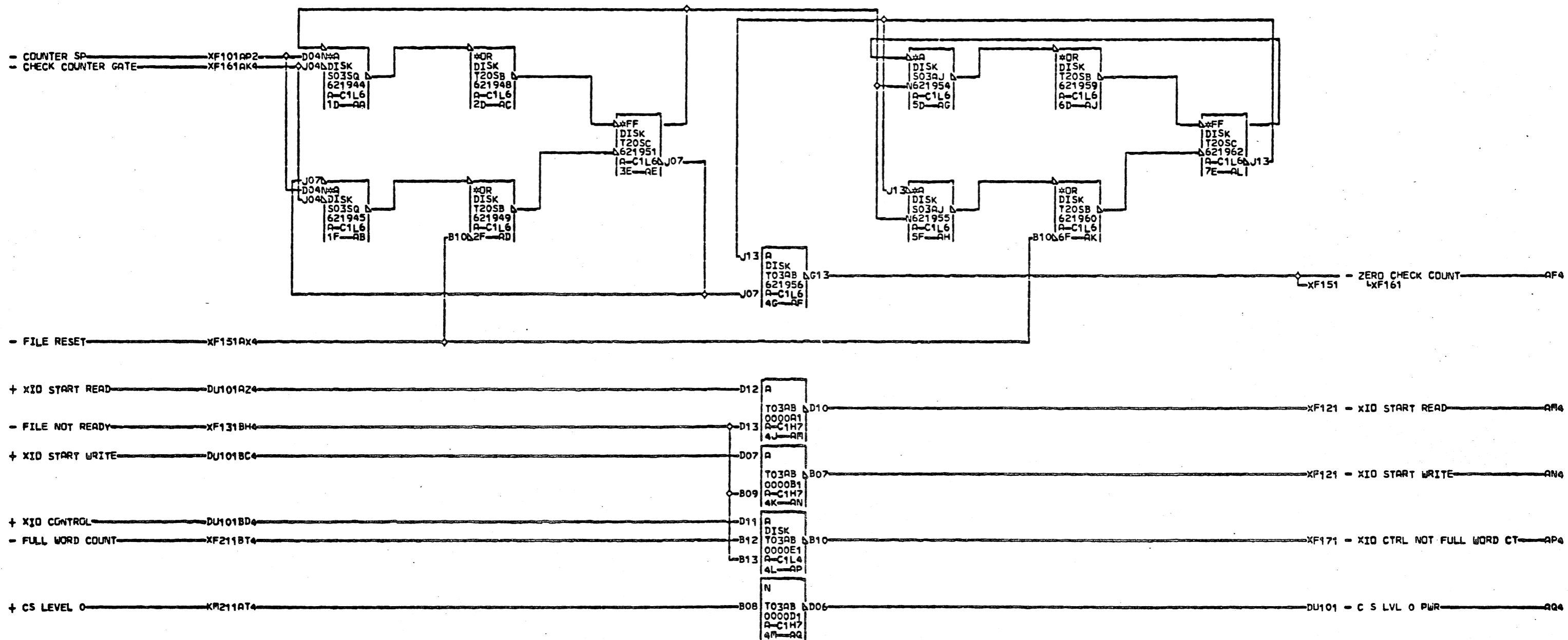
02-17-65 415480  
 03-04-65 415480A  
 04-28-65 415480D  
 07-20-65 415481  
 08-26-65 415483  
 02-24-67 419633

FILE CORE ADDRESS REGISTER			
BITS 2-8			
DATE	03-09-67	PAGE	1131
LOG	047F	FRAME	01
		P.No	2201139
IDM CORP.	GPD BLK.		BX

000

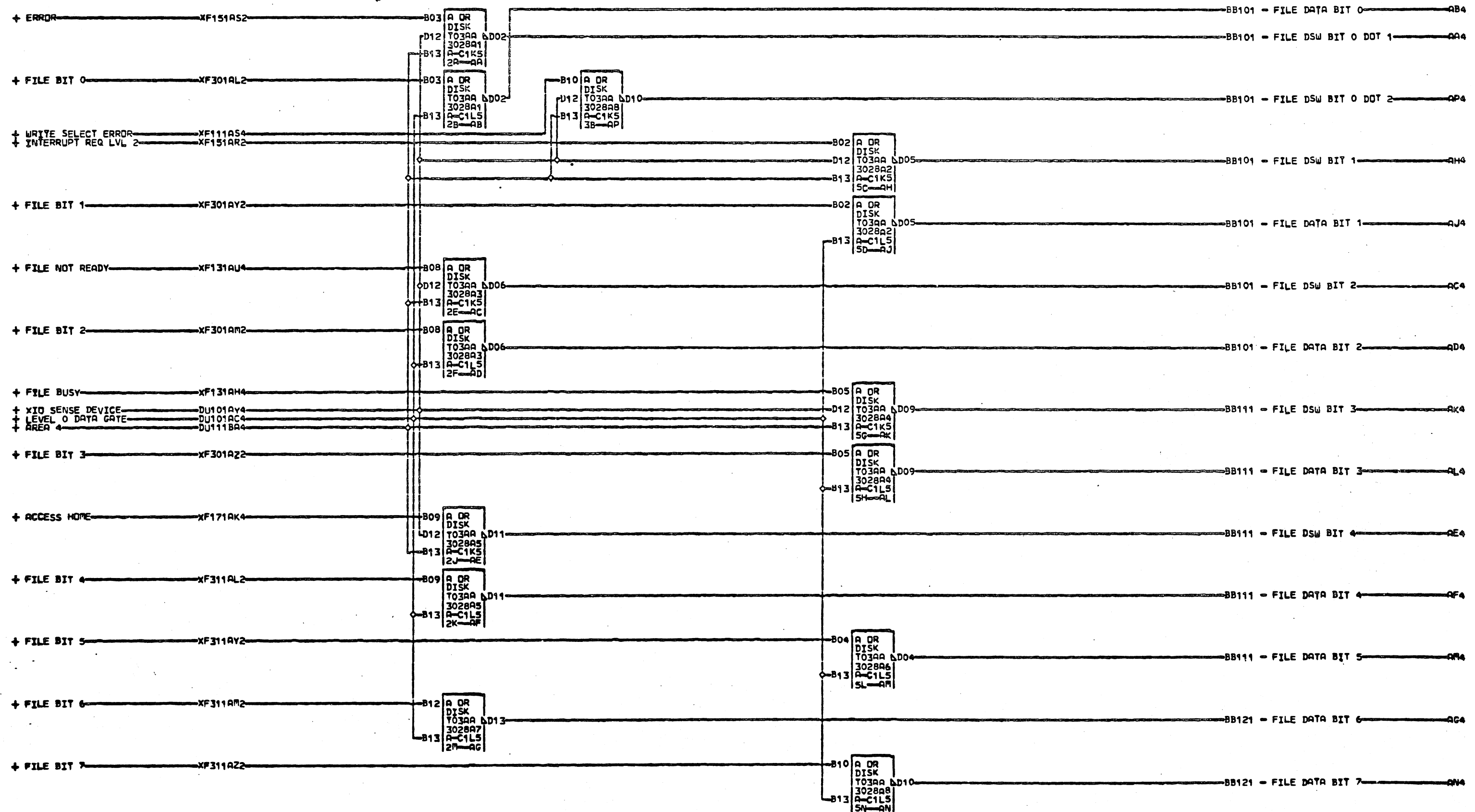
000





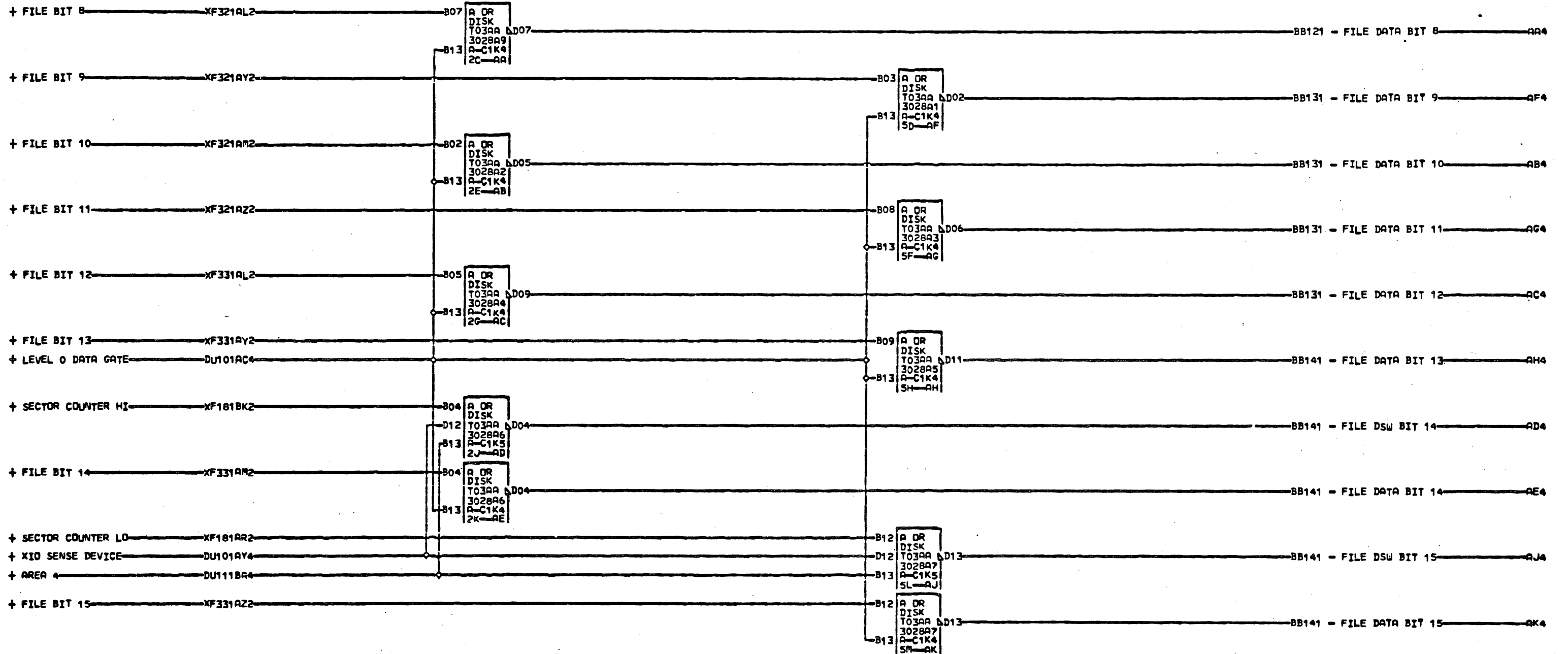
02-17-65 415480  
 03-04-65 415480A  
 04-28-65 415480D  
 07-20-65 415481  
 08-26-65 415483  
 02-24-67 419633

FILE CHECK COUNTER		
XIO INVERTERS		
DATE	03-09-67	PcNo 1131
LOG	047F FRAME	01
		PcNo 2201141
IBM CORP.	GPD BLK.	AR



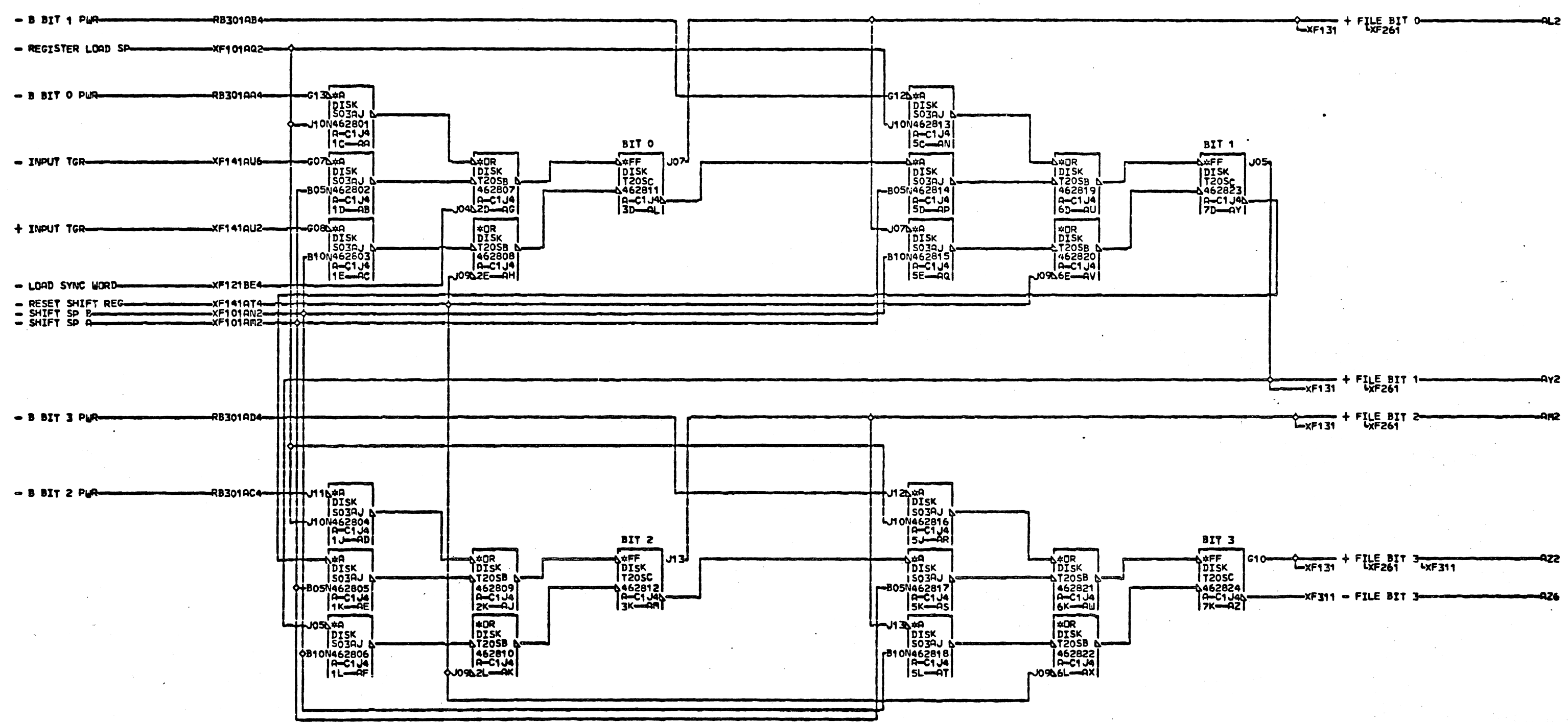
02-17-65 415480  
 04-28-65 415480D  
 07-20-65 415481  
 08-26-65 415483  
 02-24-67 419633

FILE INPUT BUSS ASSEMBLY		
BITS 0-7		
DATE	03-09-67	PACH# 1131
LOG	047F	FRAME 01
		PoNo 2201142
TBR CORP.	GPD BLK.	000



02-17-65 415480  
 04-28-65 415480D  
 08-26-65 415483  
 02-24-67 419633

FILE INPUT BUSS ASSEMBLY		
BITS 8-15		
DATE	03-09-67	RACH. 1131
LOG	047F FRAME	01
	PoNo	2201143
IBM CORP.	GPD BLK.	AL

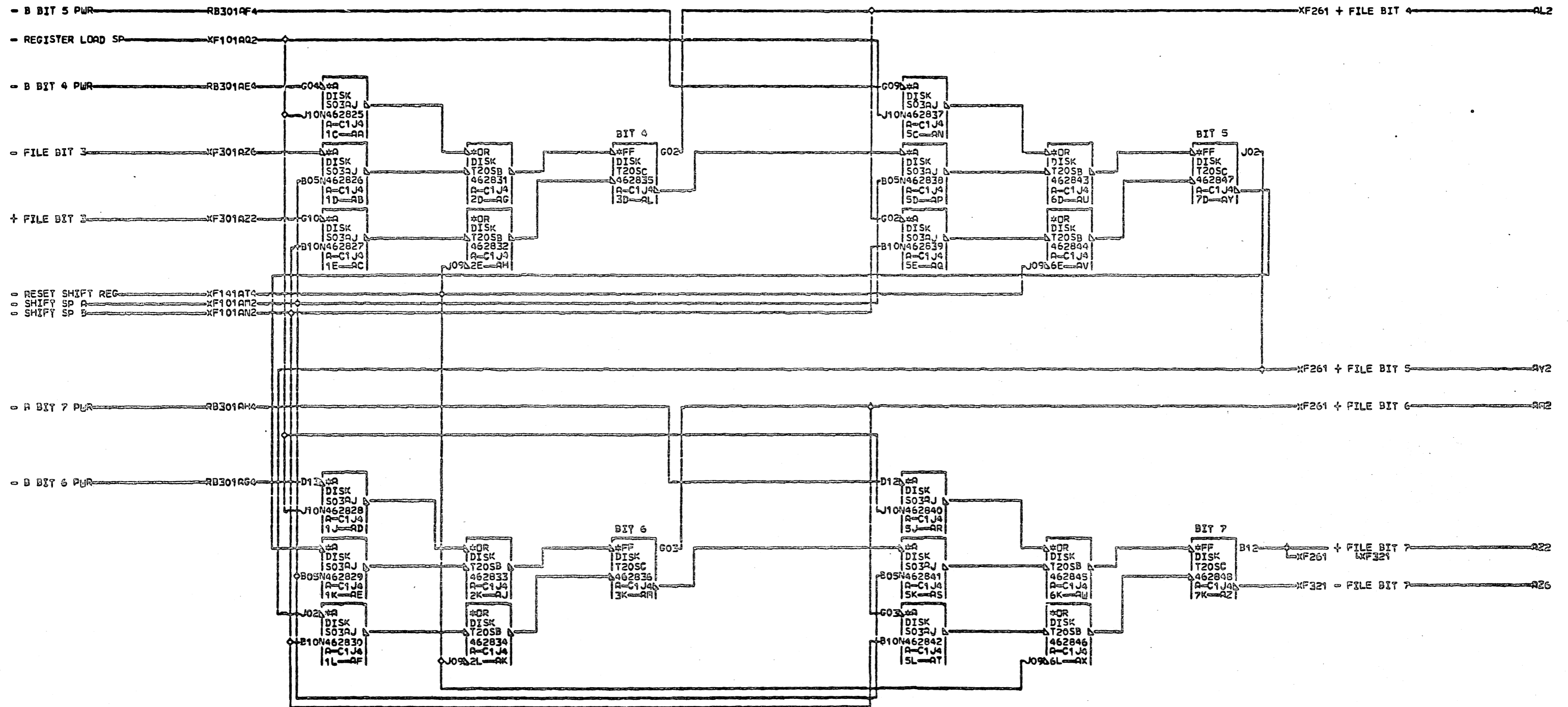


X  
L  
L  
1  
000

02-17-65 415480  
 04-28-65 415480D  
 07-20-65 415481  
 08-26-65 415483  
 02-24-67 419633

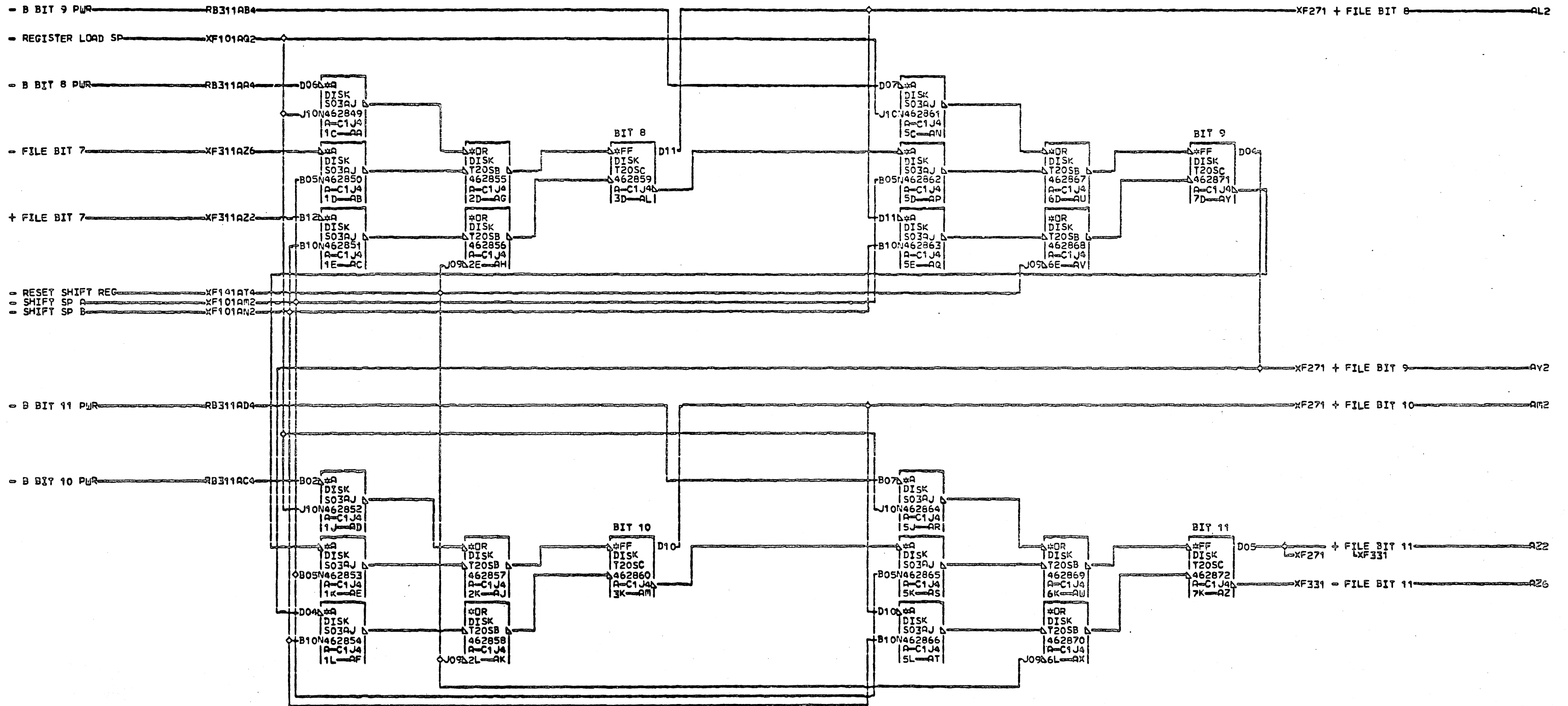
FILE DATA REGISTER		
BITS 0-3		
DATE	03-09-67	RACH# 1131
LOG	047F FRAME	01
P#N# 2201134		
IBM CORP.	GPD BLK#	BA

X  
L  
L  
1  
000



02-17-65 415480  
 04-28-65 415480D  
 08-26-65 415483  
 02-24-67 419633

FILE DATA REGISTER		
BITS 4-7		
DATE	03-09-67	FRAC# 1131
LOG	047F	FRAME 01
P#N# 2201135		
IBM CORP.	6PD BLK#	BA



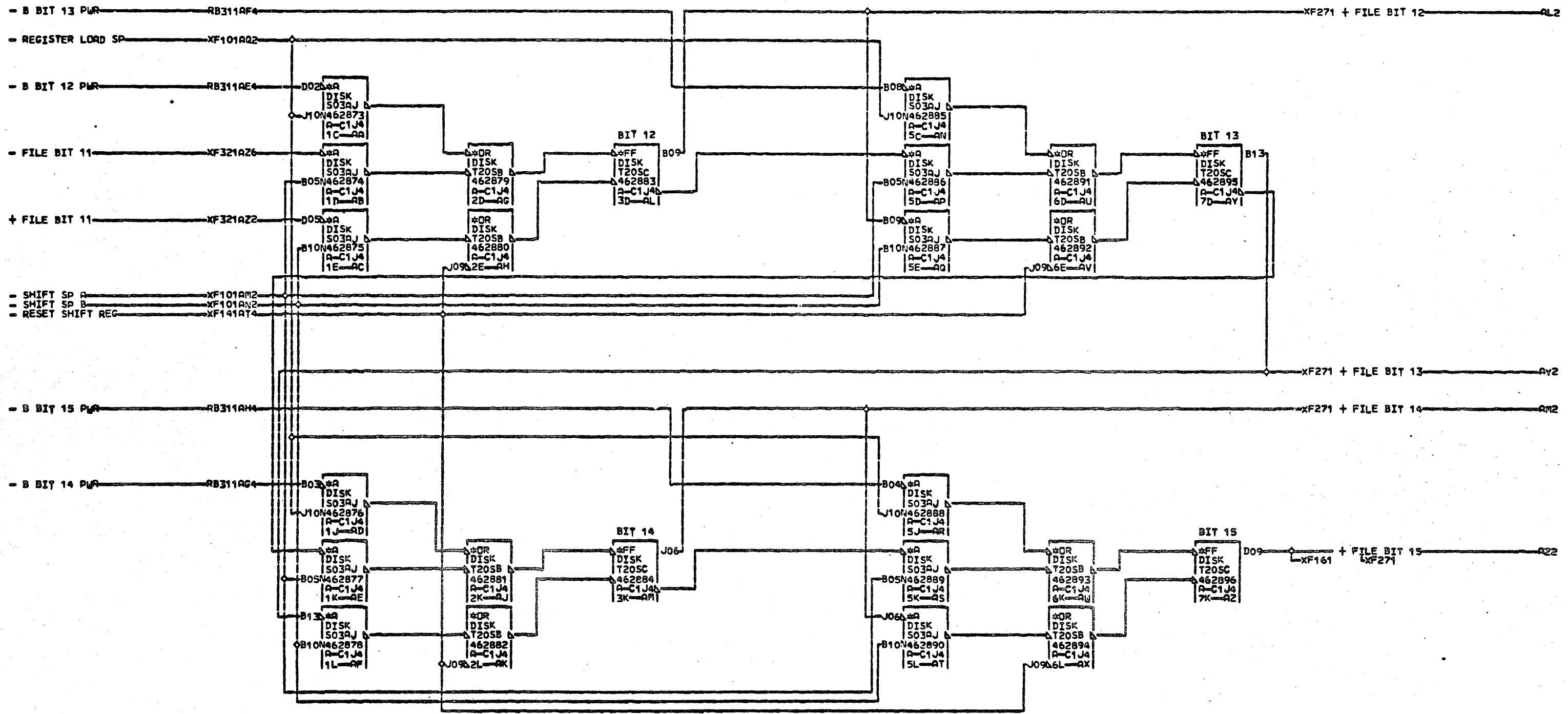
NUM X  
000

02-17-65 415480  
 03-04-65 415480A  
 04-28-65 415480D  
 08-26-65 415483  
 02-24-67 419633

FILE DATA REGISTER		
BITS 8-11		
DATE	03-09-67	RACH. 1131
LOG	047F FRAME	01
PcNo 2201136		
IBM CORP.	OPD BLK.	BA

X  
F  
2  
1  
000



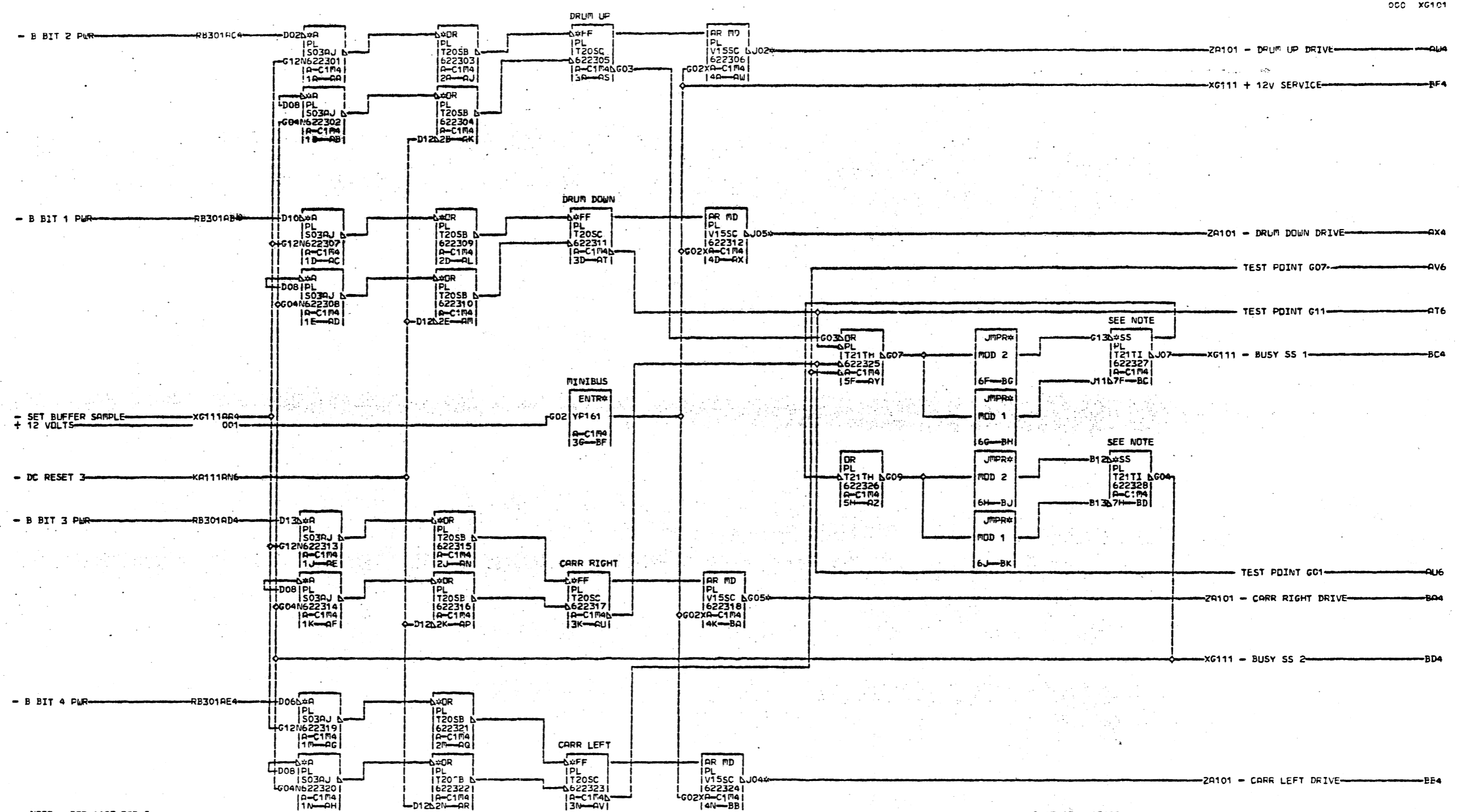


02-17-65 415480  
 03-04-65 415480A  
 04-28-65 415480D  
 08-26-65 415483  
 02-24-67 419633

FILE DATA REGISTER		
BITS 12-15		
DATE	03-09-67	PAGE 1131
LOG	047F FRARE	01
P.No 2201137		
IRM CORP.	GPD BLK.	BA

X  
 1  
 000

- 1411 X  
 000

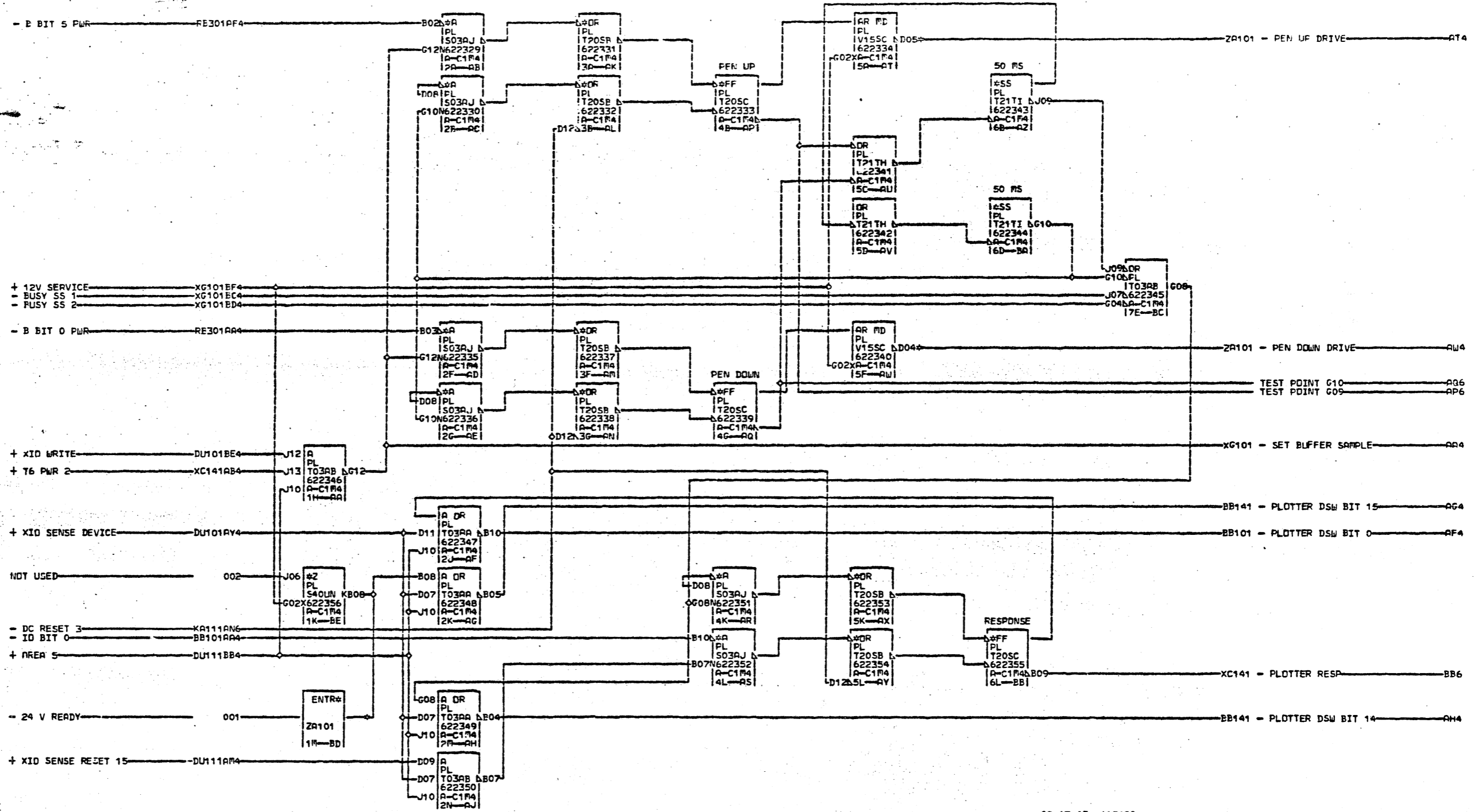


NOTE: FOR 1627 MOD I  
 SS TIME IS 1.9 MS  
 FOR 1627 MOD II  
 SS TIME IS 2.9 MS

AX4 A-C1N5B02  
 AX4 A-C1N5D02  
 BX4 A-C1N5B03  
 BX4 A-C1N5D04

02-17-65 415480  
 03-04-65 415480A  
 04-28-65 415480D  
 07-20-65 415481  
 08-26-65 415483

PLOTTER DRUM AND CARR DRIVE		
BUSY SS 1 AND 2		
DATE	09-01-65	WACH. 1131
LOG	244N FRAME	C1
		0
		1
		000
P.No. 2201145		
IBM CORP.	GPD BLK.	BLI



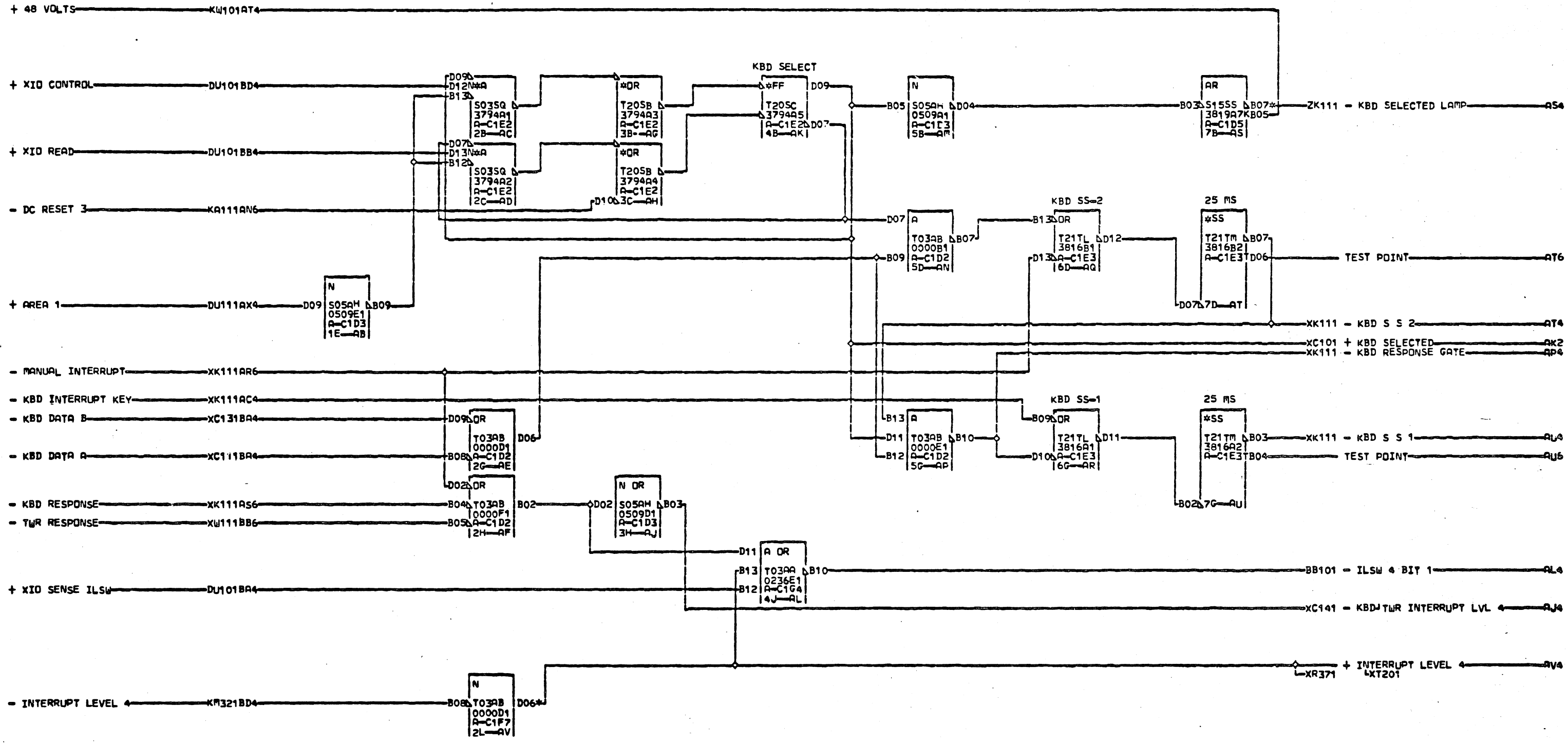
X  
G  
1  
1  
1  
000

AT4 A-C1N5B04  
AW4 A-C1N5D05  
BD4 A-C1N5B10

02-17-65 415480  
03-04-65 415480A  
04-28-65 415480D  
07-20-65 415481  
08-26-65 415483  
09-15-65 415485

PLOTTER PEN DRIVE-RESPONSE			
BUSY SS 3 AND 4-READY			
DATE	09-16-65	RACH#	1131
LOG	259F	FRAME	01
		P#N#	2201146
IBM CORP.		GPD BLK#	BF

X  
G  
1  
1  
1  
000

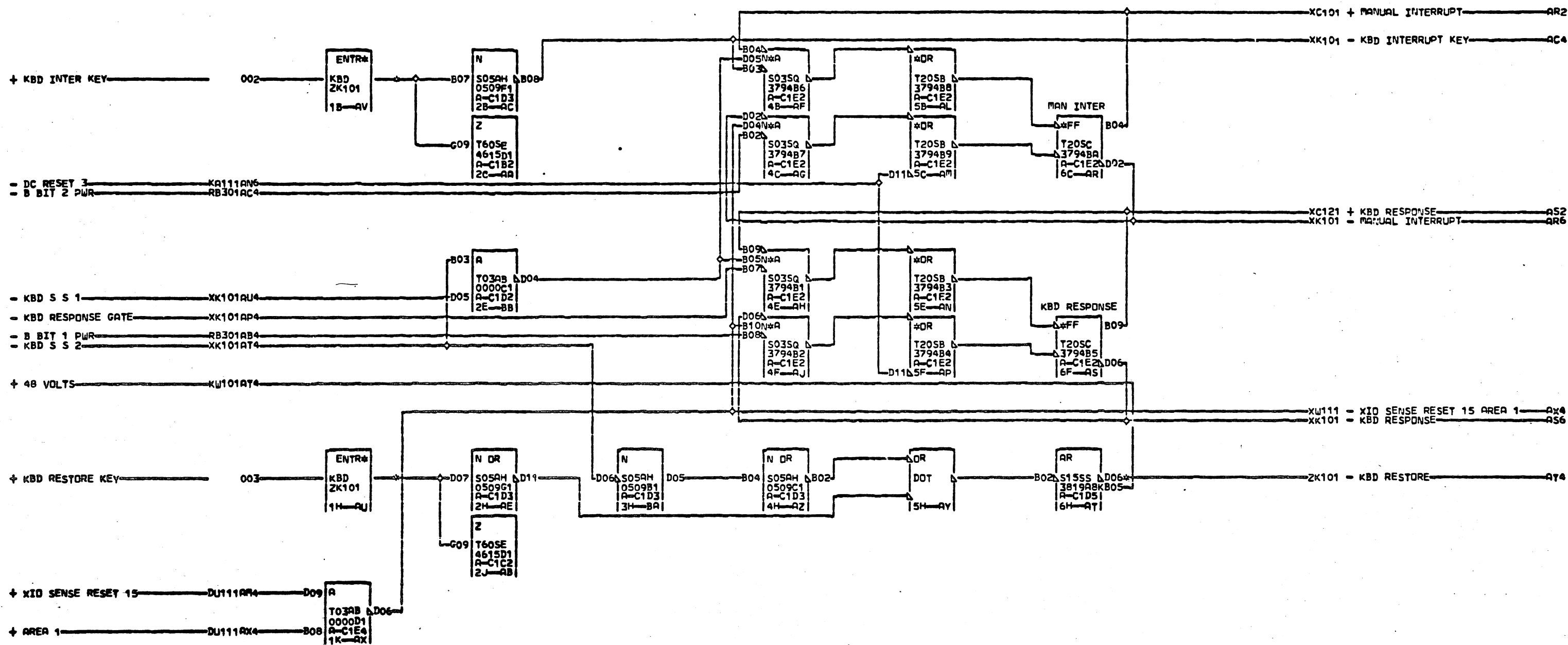


NOTE. SINGLE SHOT  
ADJUSTMENT POTS ARE  
SITUATED AS FOLLOWS  
X KBD SS-1 - UPPER POT  
1 KBD SS-2 - LOWER POT  
0  
1  
000

AS4 A-C1A5D10  
AV4 A-C1A7B03  
01A-B1N7B03

02-17-65 415480  
04-28-65 415480D  
07-20-65 415481  
08-26-65 415483  
03-10-66 415709G  
04-04-66 419607  
02-24-67 419633

KBD SELECT RESPONSE GATE		
SS 1	SS 2	INT LVL 4
DATE	03-09-67	FRAC# 1131
LOG	047F FRAME	01
PcNo 2201147		
IBA CORP.	GPD BLK.	AW

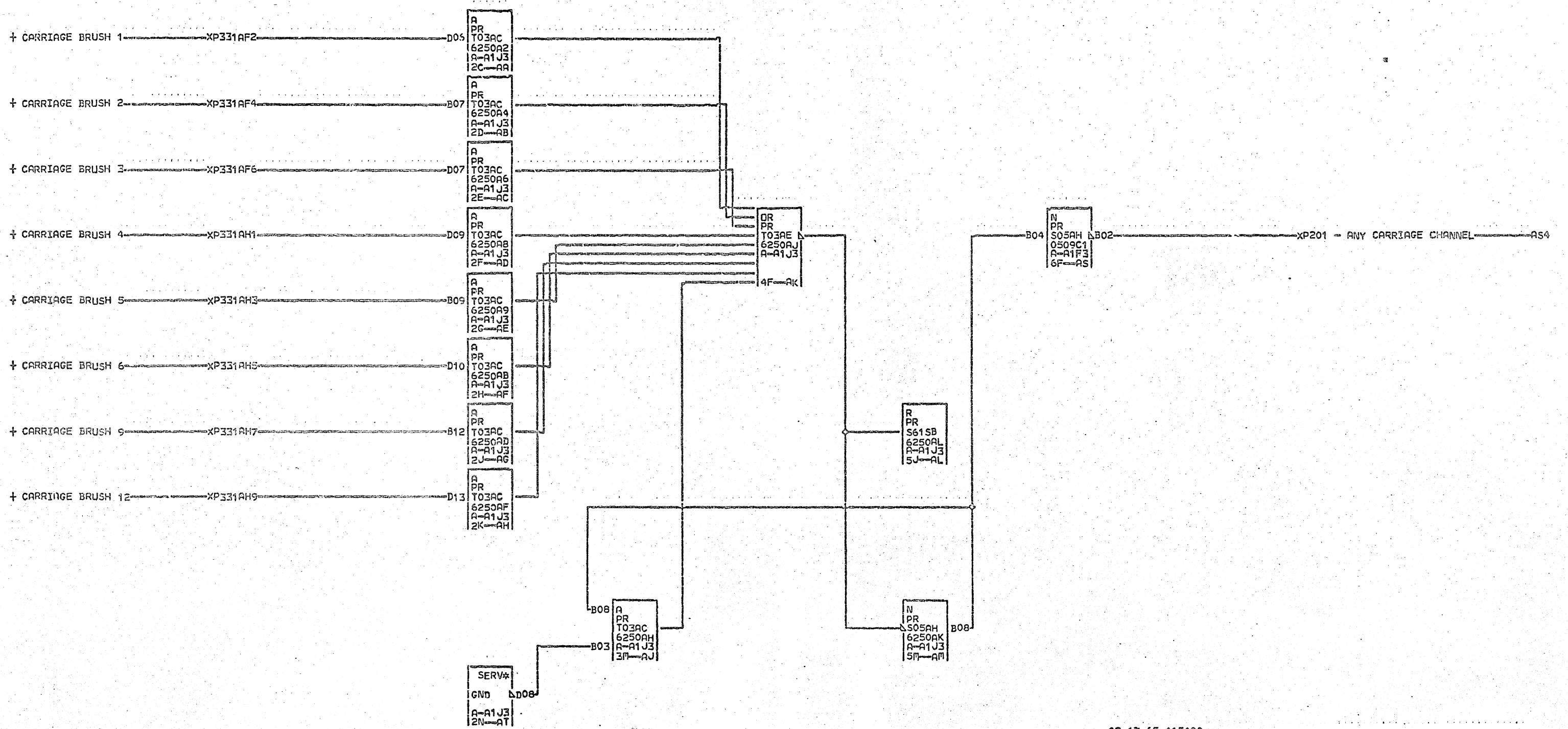


AT4 A-C1A3D13  
 AU4 A-C1A3D12  
 AV4 A-C1A3B12

02-17-65 415480  
 04-28-65 415480D  
 07-20-65 415481  
 08-26-65 415483  
 03-10-66 415709C  
 02-24-67 419633

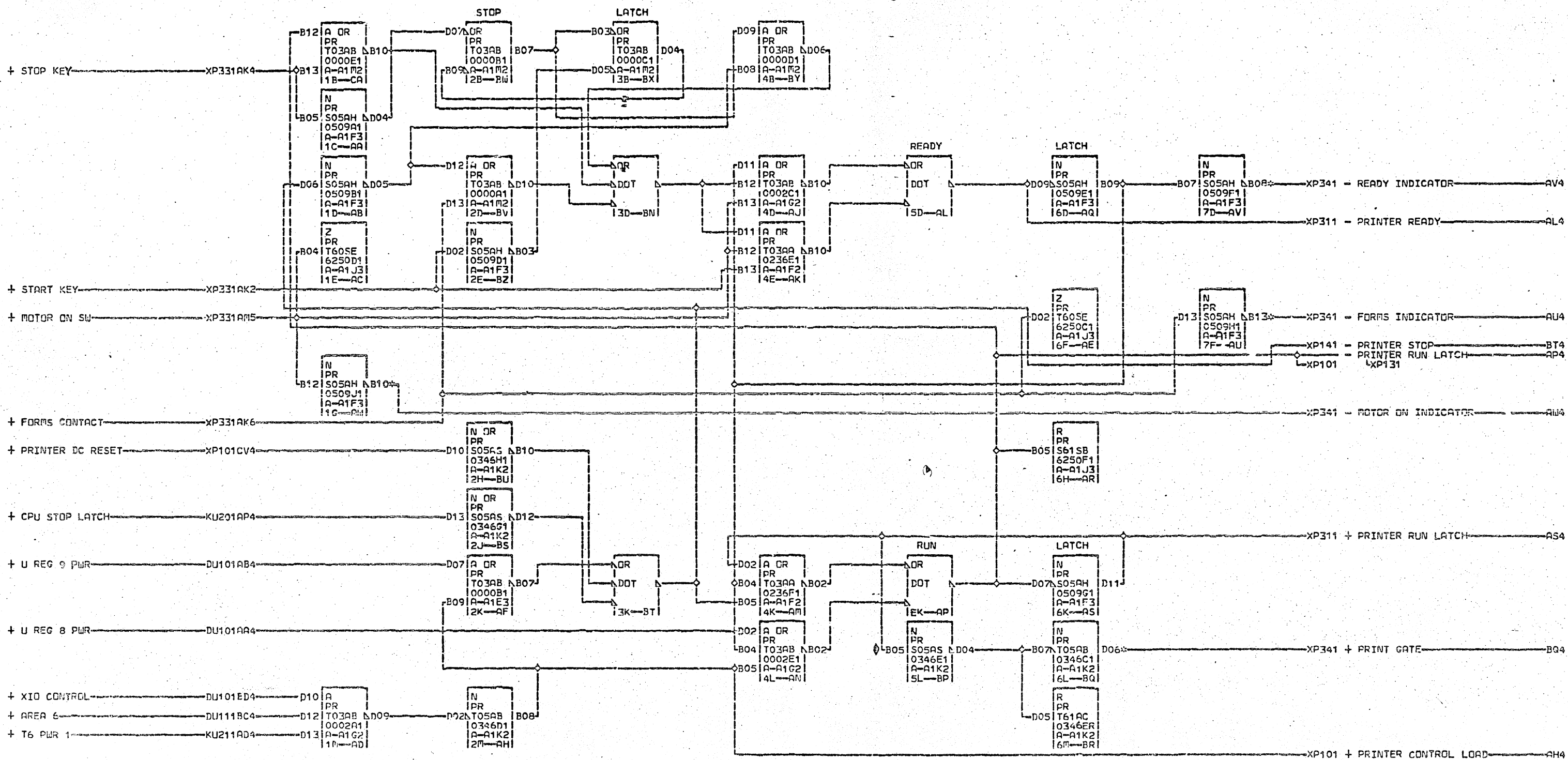
KBD RESTORE RESPONSE TCR		
MANUAL INTERRUPT		
DATE	03-09-67	PACH. 1131
LOG	047F FRAME	01
PcNo. 2201148		
IB-1 CORP.	GPD BLK.	BC





02-17-65 415480  
 03-04-65 415480A  
 04-28-65 415480D  
 07-20-65 415481  
 08-26-65 415483  
 10-21-65 415489  
 08-15-66 419622

CARRIAGE CHANNEL LATCH  
 DATE 08-04-66 MACH# 1131  
 LDC 216M FRAME 01  
 P#N# 2201153  
 IBM CORP. GPD BLK# AU

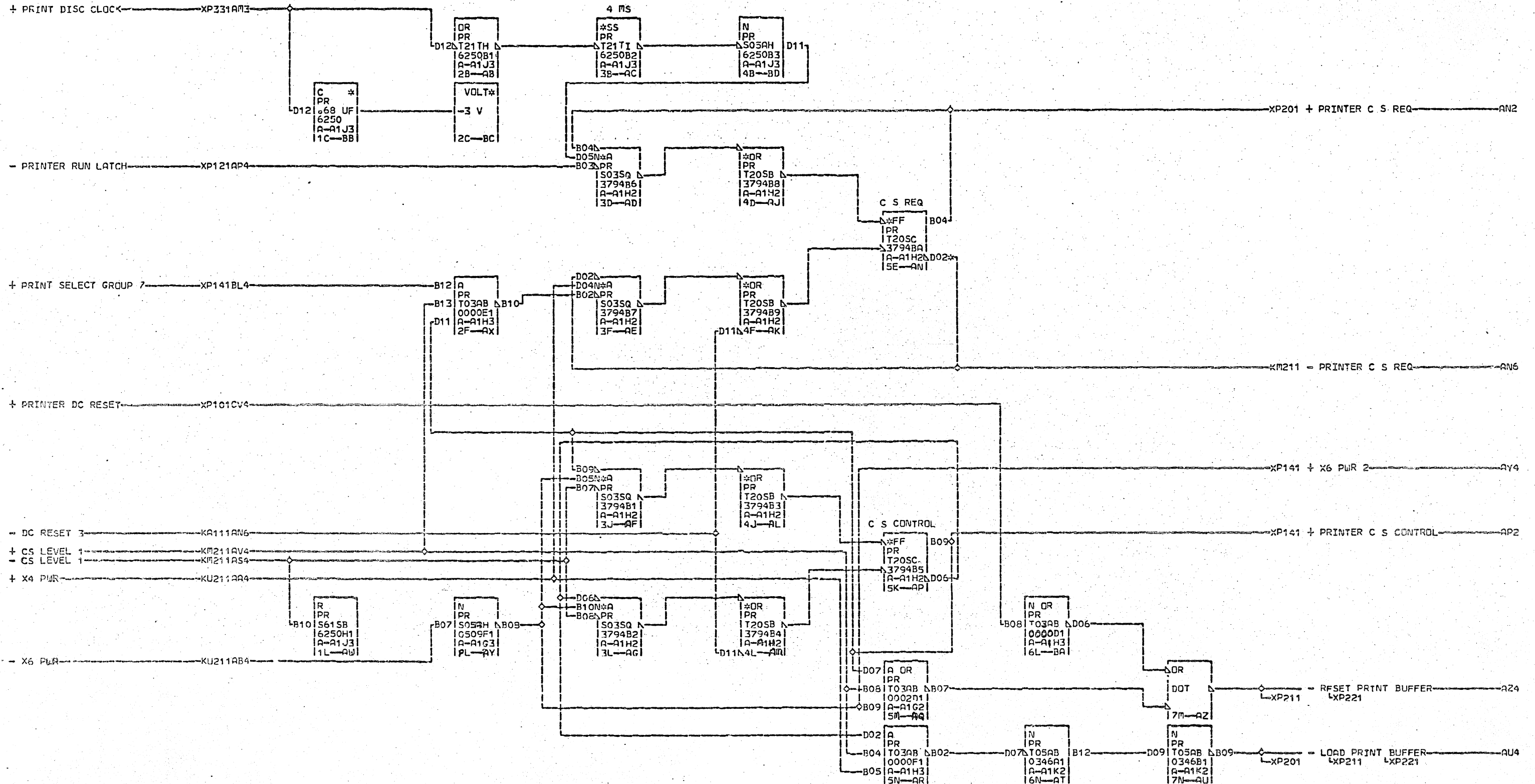


AU4 A-A1A4D02  
 AV4 A-A1A4D06  
 AW4 A-A1A4D05  
 BQ4 A-A1A4B13

02-17-65 415490  
 03-04-65 415480A  
 04-28-65 415480D  
 07-20-65 415481  
 08-26-65 415483  
 10-21-65 415489

PRINTER RUN AND READY CONTROLS		
DATE	10-21-65	MACH. 1131
LDG	294F FRAME	01
	P.No	2201149
IBM CORP.	GPE B.K.	CB





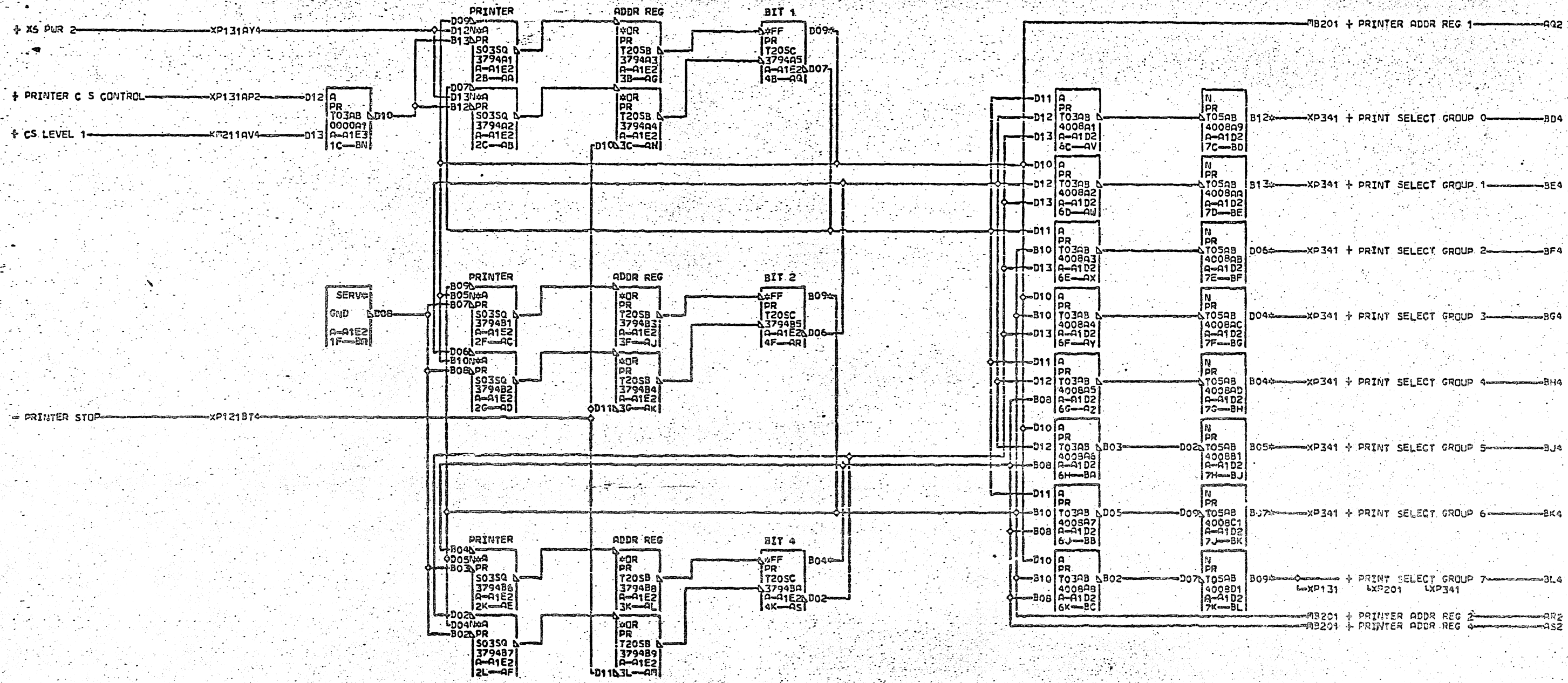
AN6 A-1N4B07

02-17-65 415480  
 03-04-65 415480A  
 04-28-65 415480D  
 07-20-65 415481  
 08-26-65 415483  
 10-21-65 415489  
 11-19-65 415496

PRINTER DISC CLOCK SS AND C S CONTROLS			
DATE	11-24-65	MACH	1131
LOG	323W	FRAME	01 3
		PoNo	2201150
IBM CORP.	GPD	BI Ko	BEI

XP131

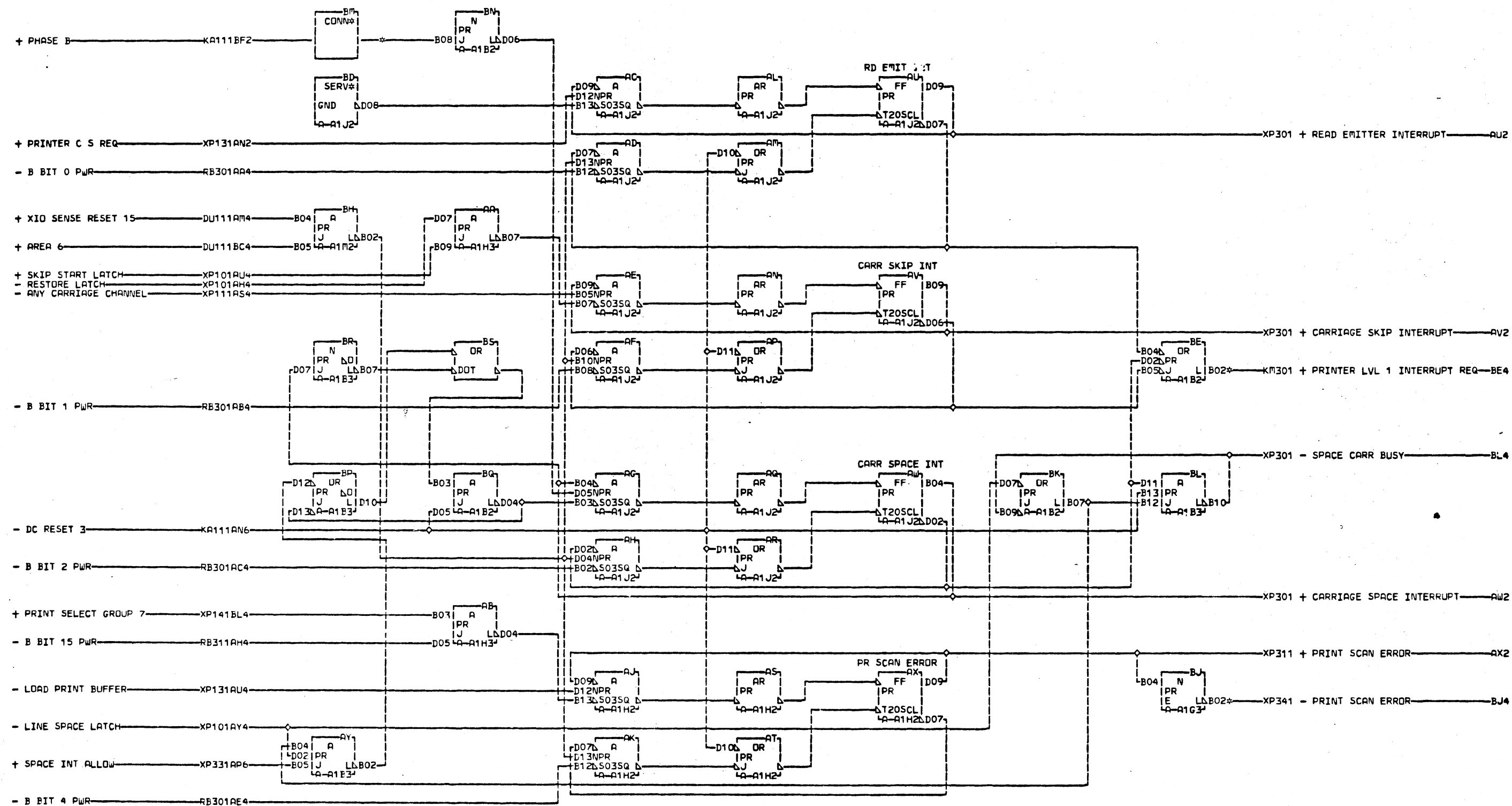
000



AQ2 A-A1N4B02 BK4 A-A1A3D12  
 AR2 A-A1N4B03 BL4 A-A1A3D13  
 AS2 A-A1N4B04  
 BD4 A-A1A4D10  
 BE4 A-A1A4D11  
 BF4 A-A1A4D12  
 BG4 A-A1A4D13  
 BH4 A-A1A3B14  
 BJ4 A-A1A3B13

02-17-65 415480  
 03-04-65 415480A  
 04-28-65 415480B  
 07-20-65 415431  
 08-26-65 415483  
 02-24-67 419633

PRINTER ADDR REG AND GROUP DECODE		
DATE	03-09-67	MACH. 1131
LOG	047F FRAME	G1 4
	PN# 2201451	1
IBM CORP.	GPO BLK.	000



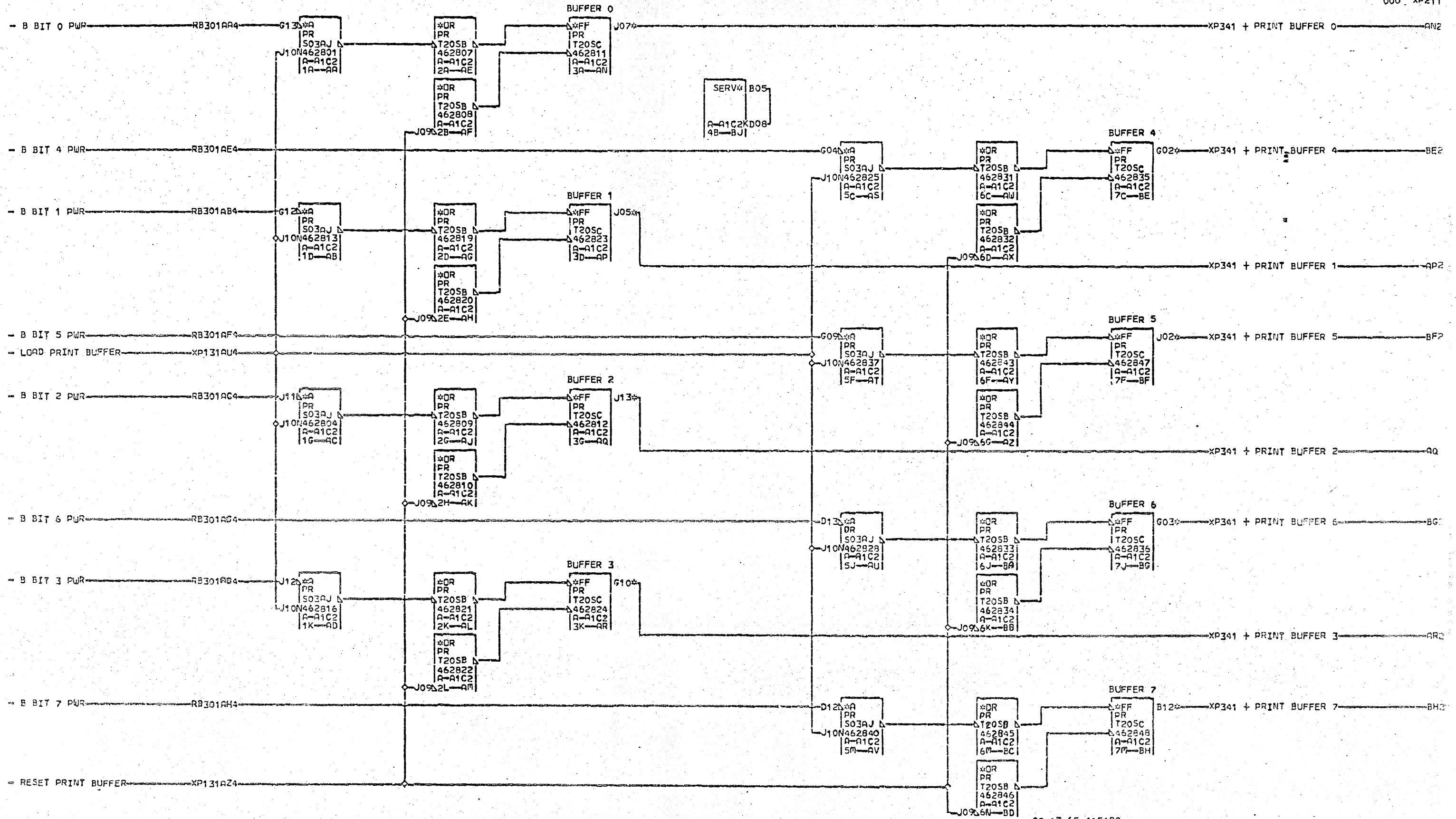
XP201  
000

BE4 A-A1N2B11  
BJ4 A-A1A4D04  
BM4 A-A1N5D12  
RESISTOR  
A-A1K2D11

LOC. TYPE  
A-A1B2 0000  
A-A1B3 0000  
A-A1G3 0509  
A-A1H2 3794  
A-A1H3 0000  
A-A1J2 3794  
A-A1K2 0346  
A-A1M2 0000

PRINTER INTERRUPT AND ERROR			
E.C. HISTORY		MACH. 1131	
415480	415493		
415481	419622	FRAME	01
415483	419625		
415489	419633	IBM CORP. GPD	
DATE	LAST EC		
107-12-68	419659	IP. No. 2201154	

XP201  
000



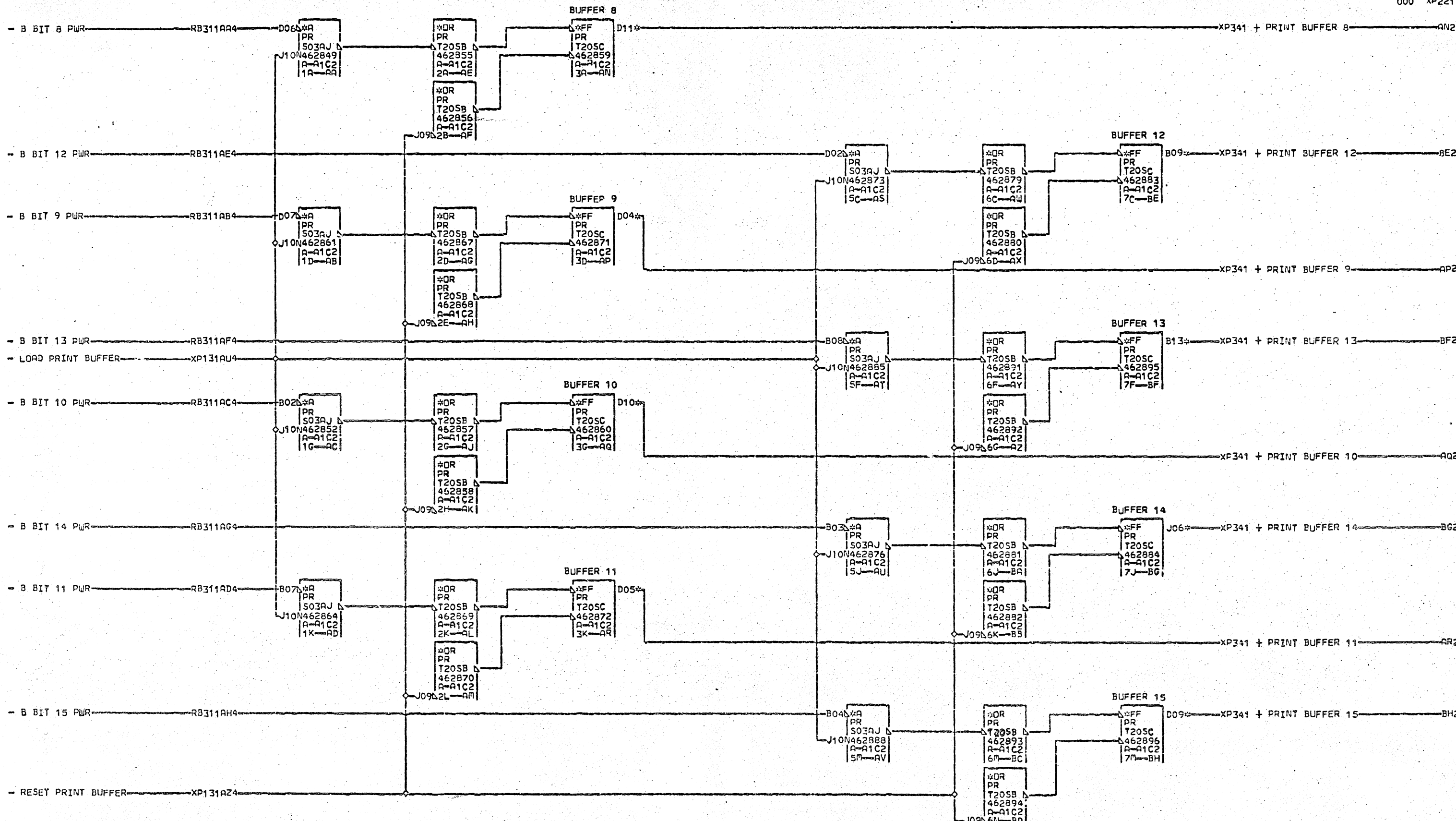
X  
1  
1  
000

AN2 A-A1A3B02  
 AP2 A-A1A3D02  
 AQ2 A-A1A3B03  
 AR2 A-A1A3D04  
 BE2 A-A1A3B04  
 BF2 A-A1A3D05  
 BG2 A-A1A3B05  
 BH2 A-A1A3D06

02-17-65 415480  
 03-04-65 415480A  
 04-28-65 415480D  
 07-20-65 415481  
 08-26-65 415483  
 02-24-67 419633

PRINT BUFFER REGISTER		
BITS 0-7		
DATE	03-09-67	MACH. 1131
LOG	027B FRAME	01
PeN		2201155
IBM CORP.	GPD BLK.	BK

X  
P  
2  
1  
1  
00



X  
P  
2  
2  
1  
000

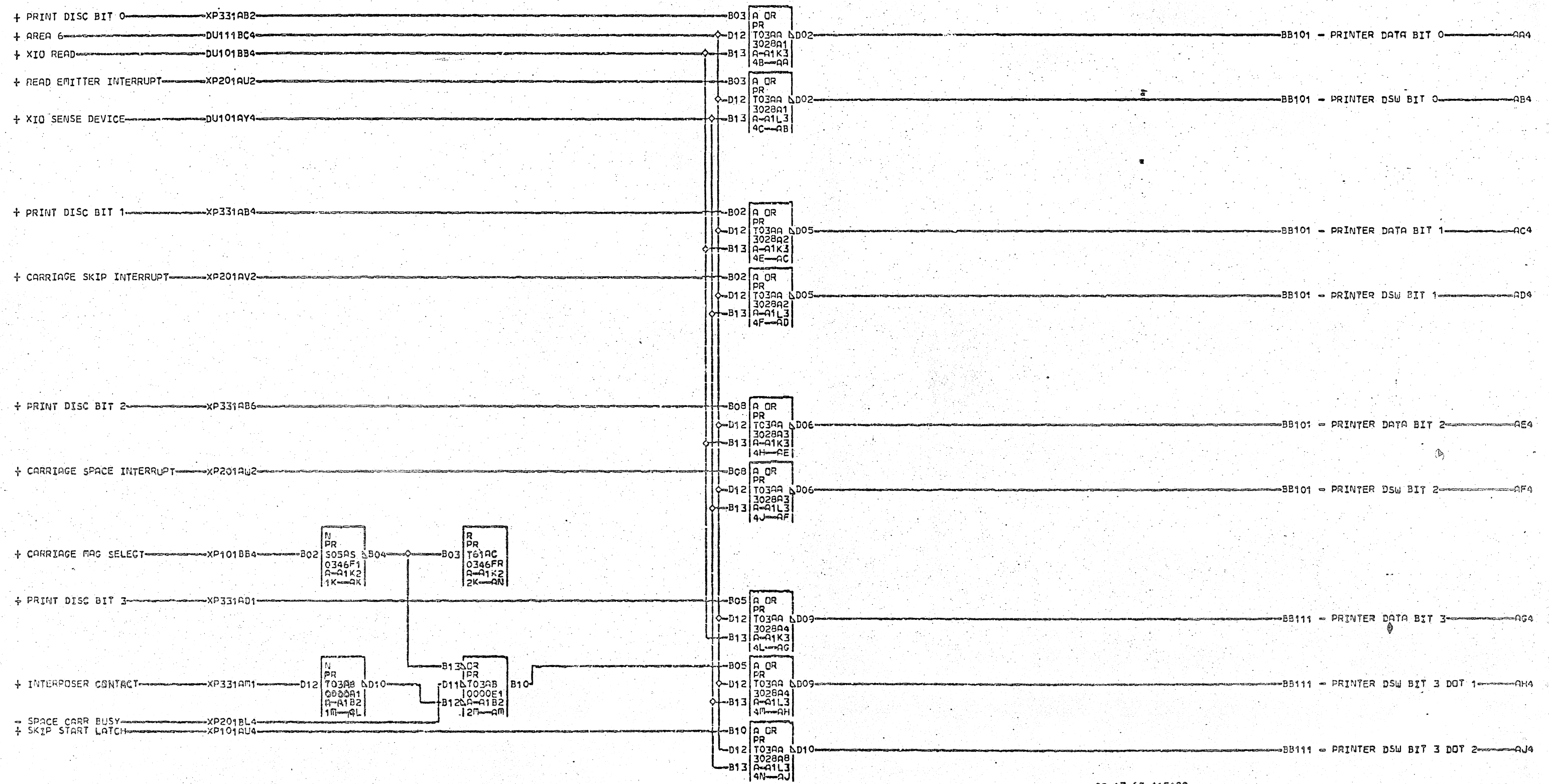
AN2 Q-A1A3B07  
AP2 Q-A1A3D07  
AQ2 Q-A1A3B08  
AR2 Q-A1A3D09  
BE2 Q-A1A3B09  
BF2 Q-A1A3D10  
BG2 Q-A1A3B10  
BH2 Q-A1A3D11

02-17-65 415480  
03-04-65 415480A  
04-28-65 415480D  
08-26-65 415483  
02-24-67 419633

PRINT BUFFER REGISTER		
BITS 8-15		
DATE	03-09-67	MACH# 1131
LOG	047F	FRAME 01
P.No. 2201156		
IBM CORP.	GPD BLK.	BJ

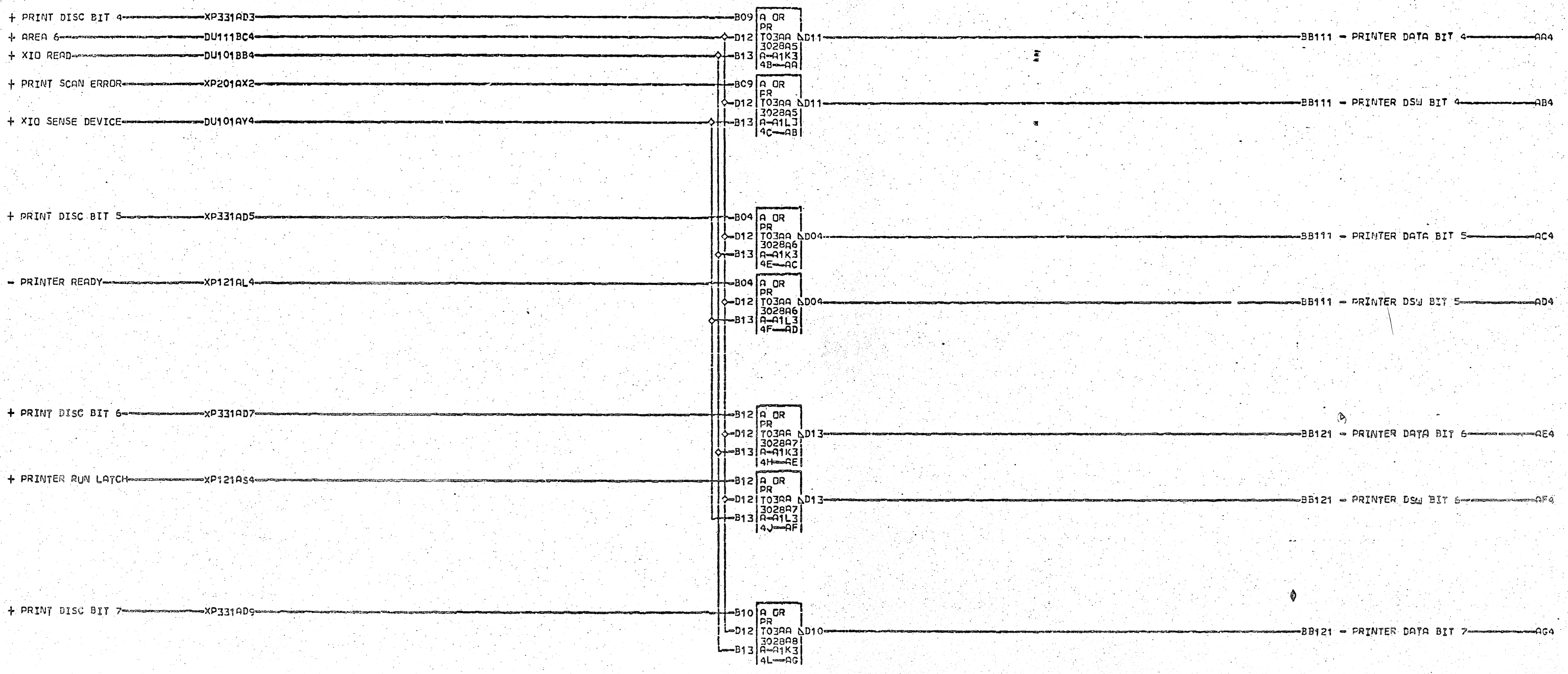
X  
P  
2  
2  
1  
000





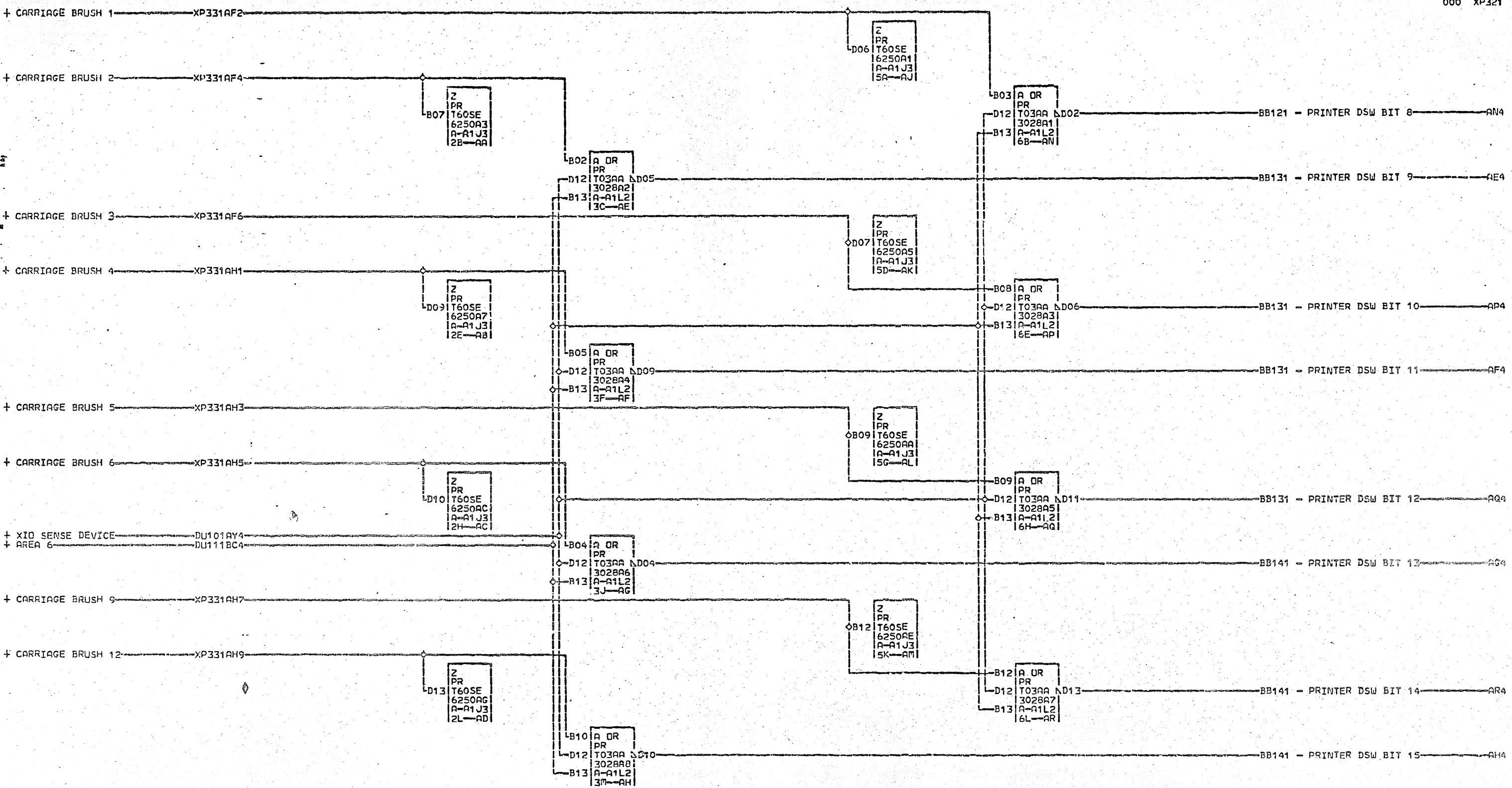
02-17-65 415480  
 04-28-65 415480D  
 08-26-65 415483  
 02-24-67 419613

PRINTER INPUT BUS			
BITS 0-3			
DATE	03-09-67	MACH#	1131
LOG	027B	FRAME	01
		PN#	2201157
IBA CORP.	GPD	BLK#	AP



02-17-65 415480  
 04-28-65 415480D  
 08-26-65 415483  
 02-24-67 419633

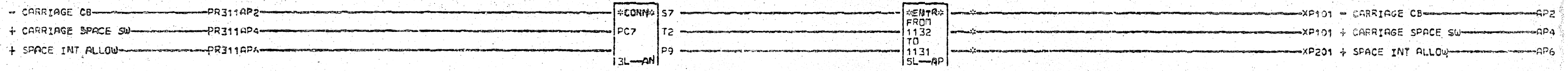
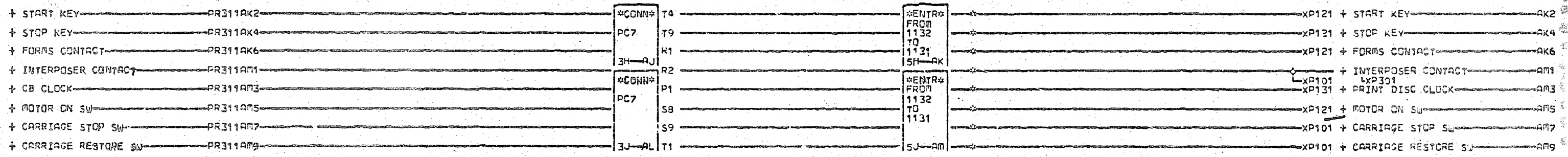
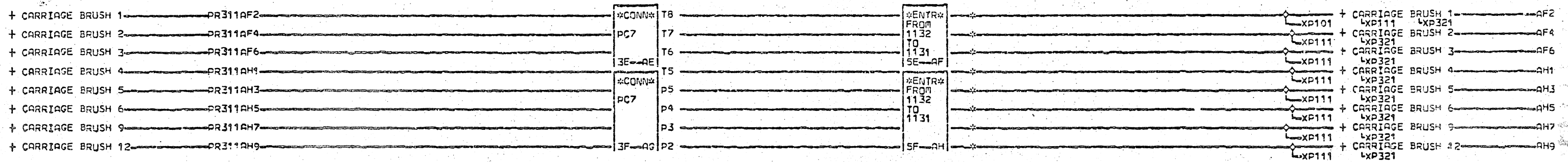
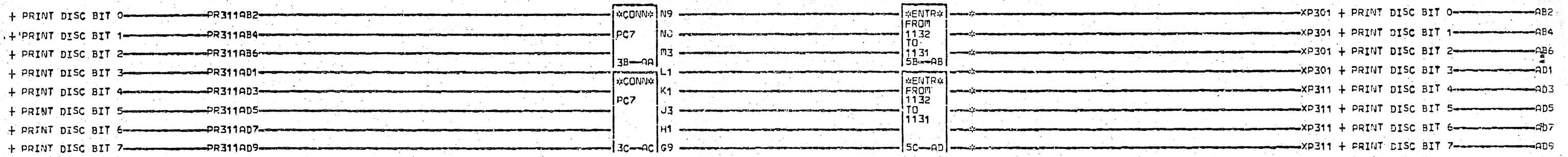
PRINTER INPUT BUS		
BITS 4-7		
DATE	03-09-67	MACH. 1131
LOG	047F	FRAME 01
	P.No.	2201158
IBM CORP.	GPD BLP.	AM



02-17-65 415480  
 04-28-65 415480D  
 08-26-65 415483  
 10-21-65 415489

PRINTER INPUT BUS			X P 3 2 1
BITS 8-15			
DATE	10-21-65	MACH# 1131	01 2 1
LOG	294F	FRAME	
	P#N#	2201159	
IBM CORP.	GPD	BLK#	AS



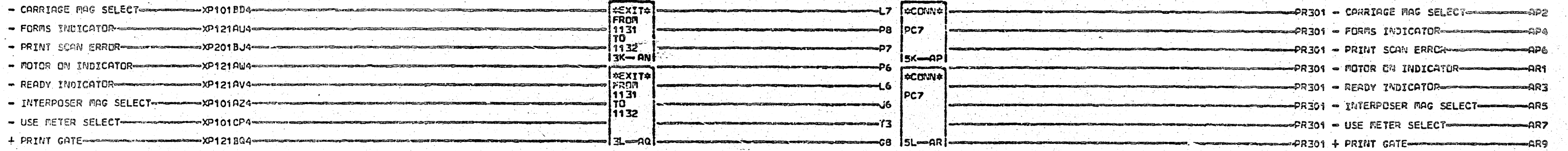
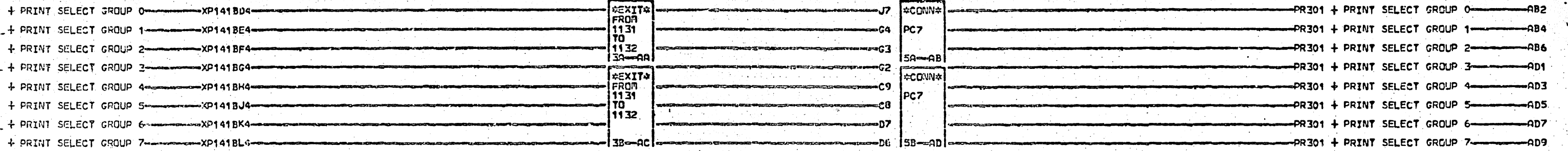


AB2 A-A1A4B03 AF4 A-A1A2B05 AK6 A-A1A2D12  
 AB4 A-A1A4B04 AF6 A-A1A2B07 AM1 A-A1A2D11  
 AB6 A-A1A4B05 AH1 A-A1A2B08 AM3 A-A1A4B02  
 AD1 A-A1A4B07 AH3 A-A1A2B09 AM5 A-A1A2D09  
 AD3 A-A1A4B08 AH5 A-A1A2B10 AM7 A-A1A2D07  
 AD5 A-A1A4B09 AH7 A-A1A2B12 AM9 A-A1A2D06  
 AD7 A-A1A4B10 AH9 A-A1A2B13 AP2 A-A1A2D10  
 AD9 A-A1A4B12 AK2 A-A1A2D02 AP4 A-A1A2D05  
 AF2 A-A1A2B04 AK4 A-A1A2B03 AP6 A-A1A2D13

04-28-65 415480D  
 08-26-65 415483  
 10-27-65 415491  
 08-23-66 419625  
 02-24-67 419633

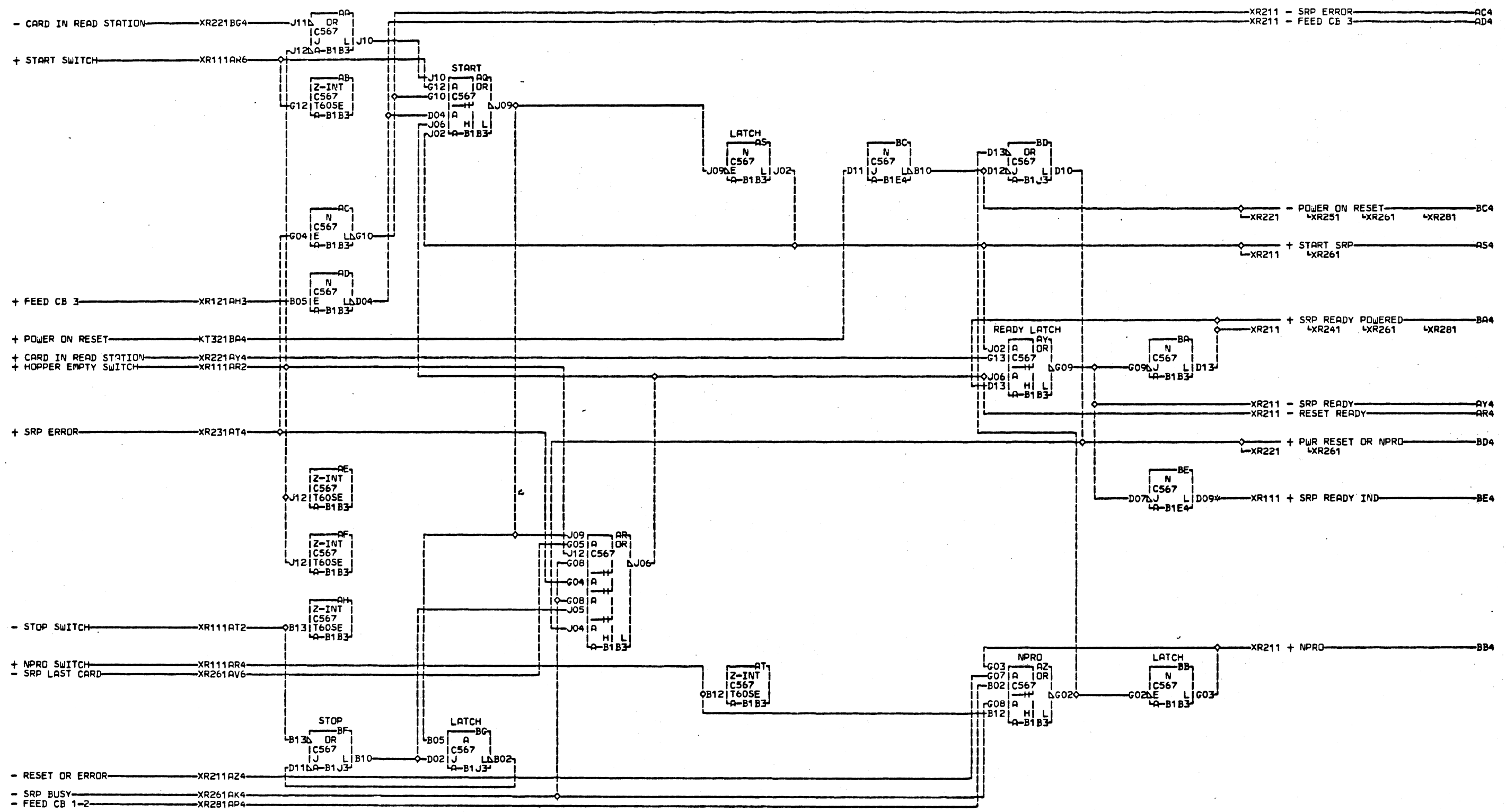
PRINTER ENTRY		X
DATE	03-09-67 MACH. 1131	D
LOG	027B FRAME	3
	PoNo 2201225	1
IBM CORP. GPO BLK. AA		000

X  
 1  
 000



04-28-65 415480D  
 07-20-65 415481  
 08-26-65 415483  
 10-27-65 415491

PRINTER EXIT			
DATE	10-27-65	MACH#	1131
LOG	300S	FRAME	01
		PaNo	2201226
IDA CORP.	GPD	BLK#	AS

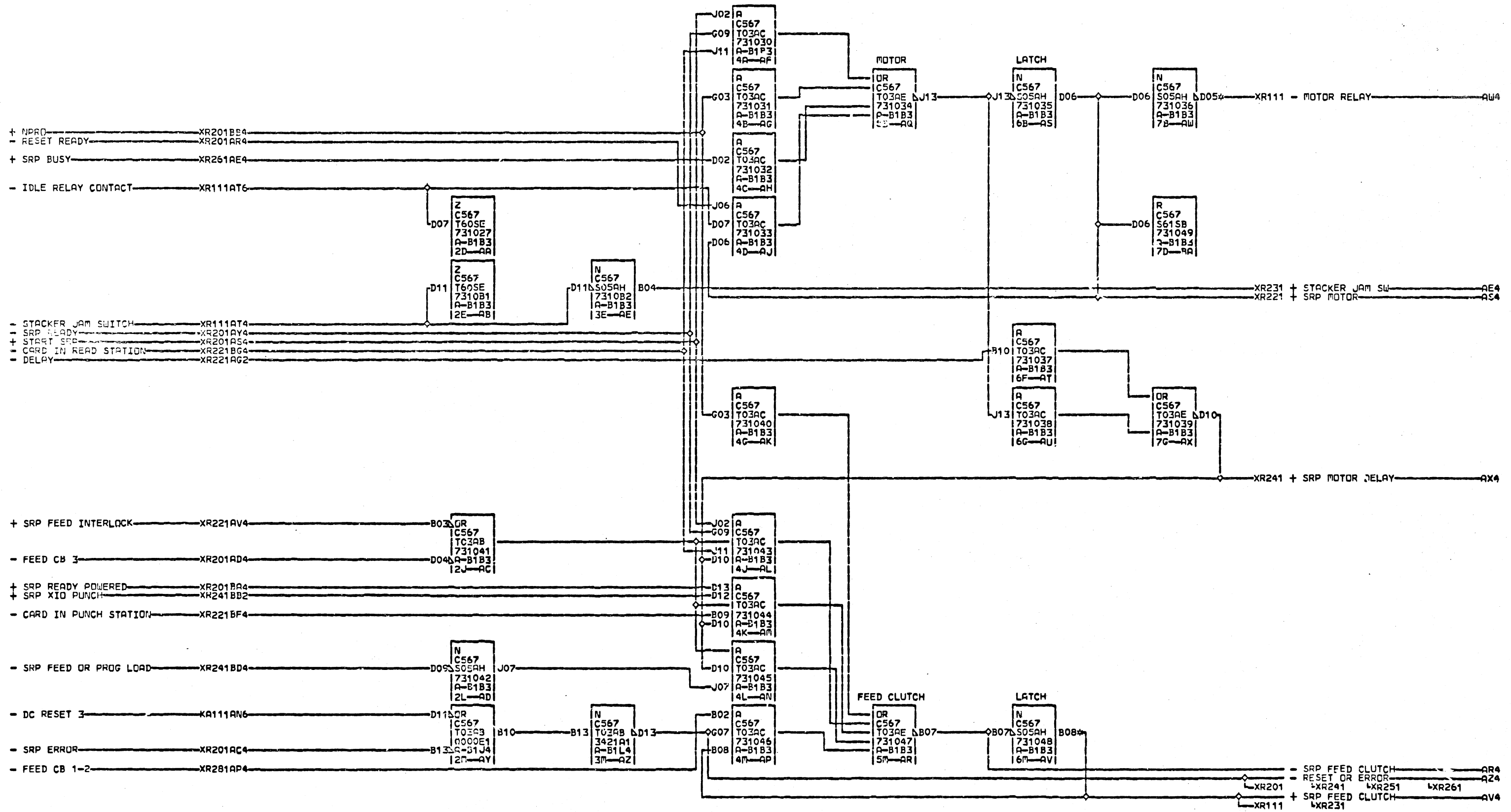


BE4 A-B1A3D13

LOC. TYPE  
A-B1B3 7310  
A-B1E4 3421  
A-B1J3 0000

SRP START-READY-NPRO LATCHES			
E.C. HISTORY		MACH. 1131	
415480A	415726	FRAME	01
415480D	419603		
415481	419613	IBM CORP. GPD	
415483	419633		
DATE	LAST EC		
107-12-68	419659	P.No. 2201183	

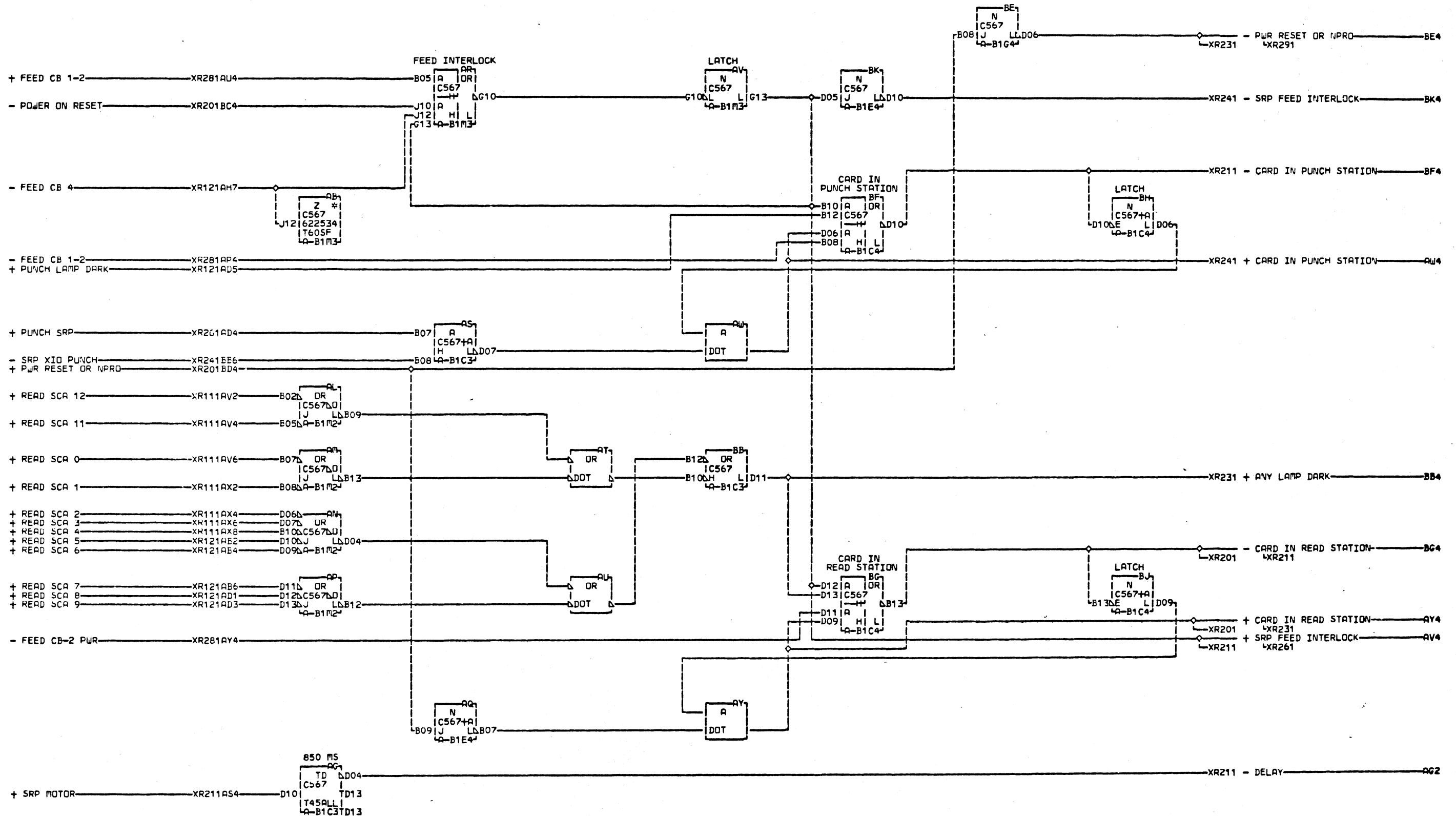
000  
X  
ON  
R  
R  
X  
000



AV4 A-B1A5D11  
 AW4 A-B1A3B10

02-17-65 415480  
 03-04-65 415480A  
 04-28-65 415480D  
 07-20-65 415481  
 08-26-65 415483  
 05-30-66 419613  
 10-14-66 419623

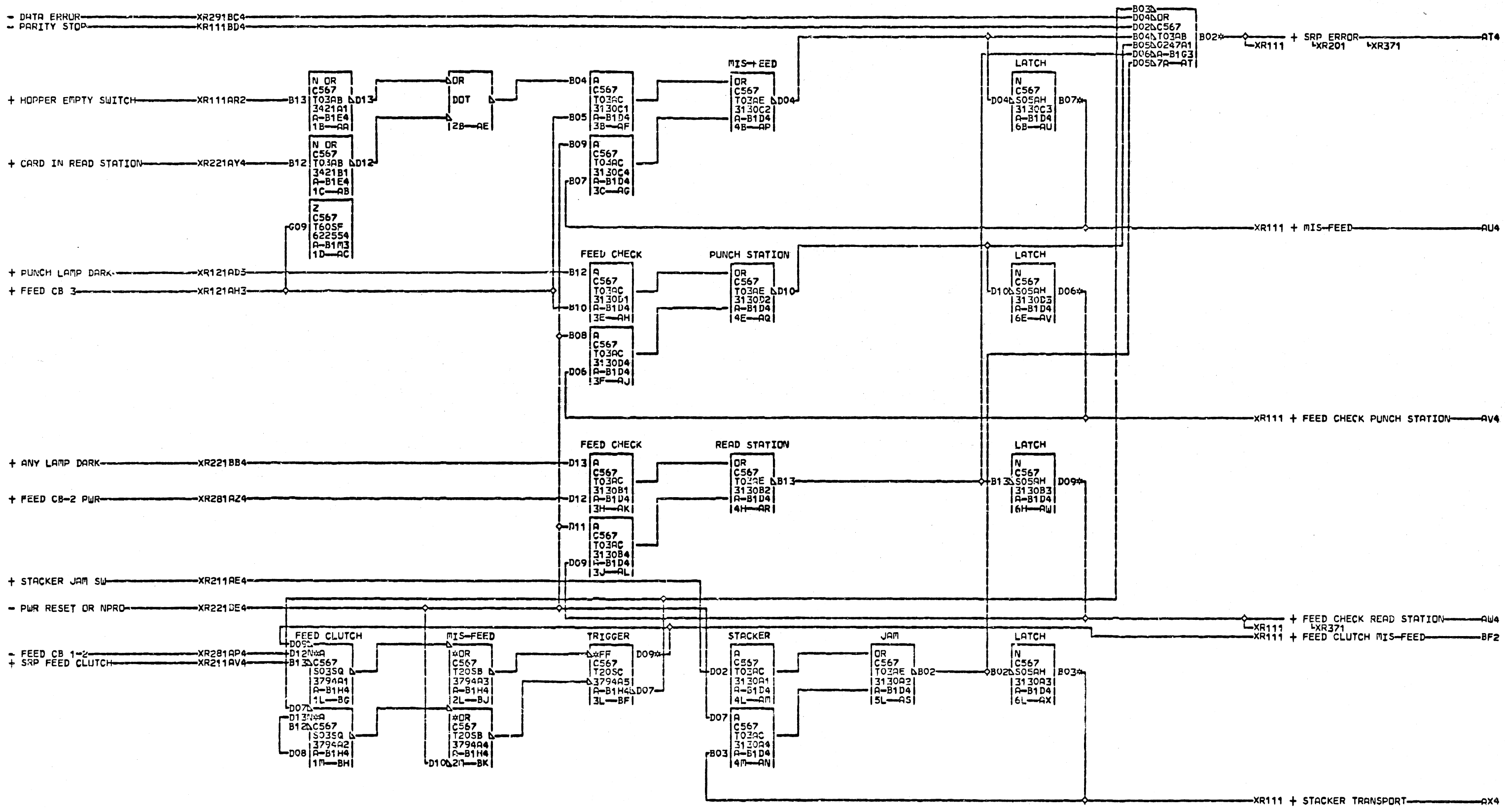
SRP MOTOR FEED CLUTCH LATCHES			X R 2 1 1
DATE	09-27-66	MACH. 1131	
LOG	266K FRAME	01	000
	P. No.	2201184	
IBM CORP.	GPD BLK.	BB	



1  
NRX  
000

LOC.	TYPE
A-B1C3	3656
A-B1C4	3130
A-B1E4	3421
A-B1G4	3686
A-B1M2	3404
A-B1M3	6225

SRP FEED INTLK-CARD IN PCH STA		CARD IN RD STA-ANY LAMP DARK		X R 2 2 1
E.C.-HISTORY MACH#1131				
415480	415483			
415480A	415487	FRAME	01	
415480D	419613			
415481		IBM CORP.	GPD	
DATE	LAST EC			000
07-12-68	419659	P.No.	2201185	



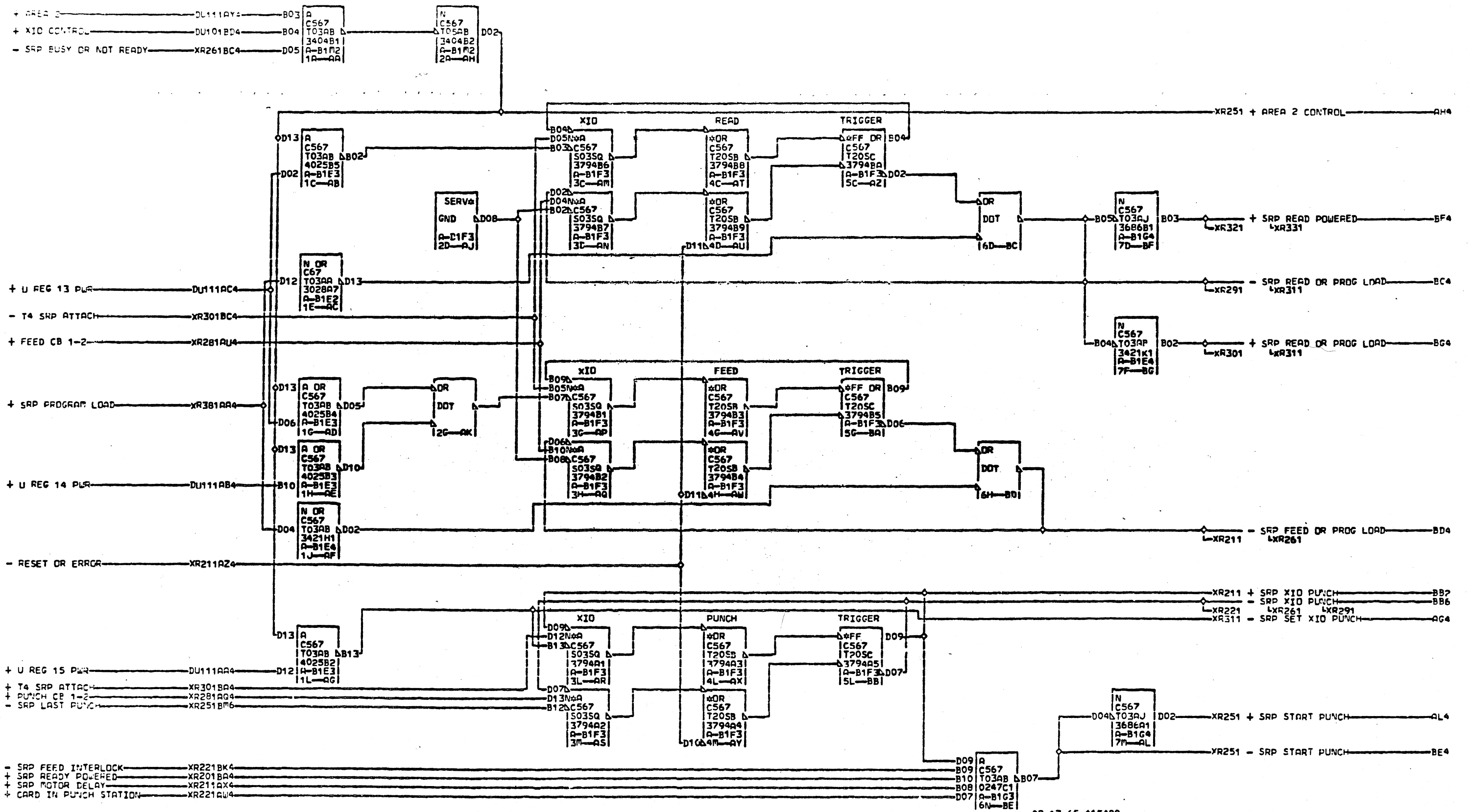
AT4 A-B1A4E04  
 AU4 A-B1A4B07  
 AV4 A-B1A4D06  
 AW4 A-B1A4D09  
 AX4 A-B1A4B03  
 BF2 A-B1A4B05

02-17-65 415480  
 03-04-65 415480A  
 04-28-65 415480D  
 07-20-65 415481  
 08-26-65 415483  
 09-24-65 415487  
 05-30-66 419613  
 10-14-66 419623

SRP ERROR CHK-MISFEED-STACKER  
 JAM-FEED CHK READ AND PCH STA  
 DATE 09-27-66 FRCH# 1131  
 LOG 271M FRAME 01  
 P#N# 2201186  
 IBM CORP. GPD BLK# BL

1  
 000

X  
 R  
 2  
 3  
 1  
 000



+ AREA 2 ————— DU111AY4 — B03

+ XIO CONTROL ————— DU101BD4 — B04

- SRP BUSY OR NOT READY ————— XR261BC4 — D05

+ U REG 13 PWR ————— DU111AC4 — D12

- T4 SRP ATTACH ————— XR301BC4 —

+ FEED CB 1-2 ————— XR281AU4 —

+ SRP PROGRAM LOAD ————— XR381AA4 — D05

+ U REG 14 PWR ————— DU111AB4 — B10

- RESET OR ERROR ————— XR211AZ4 —

+ U REG 15 PWR ————— DU111AA4 — D12

+ T4 SRP ATTACH ————— XR301BA4 —

+ PUNCH CB 1-2 ————— XR281AQ4 —

- SRP LAST PUNCH ————— XR251BM6 —

- SRP FEED INTERLOCK ————— XR221BK4 —

+ SRP READY POWERED ————— XR201BA4 —

+ SRP MOTOR DELAY ————— XR211AX4 —

+ CARD IN PUNCH STATION ————— XR221AW4 —

XR211 + SRP XIO PUNCH — BB2

- SRP XIO PUNCH — BB6

XR221 LXR261 LXR291

XR311 - SRP SET XIO PUNCH — AG4

XR251 + SRP START PUNCH — AL4

XR251 - SRP START PUNCH — BE4

02-17-65 415480

03-04-65 415480A

04-28-65 415480D

07-20-65 415481

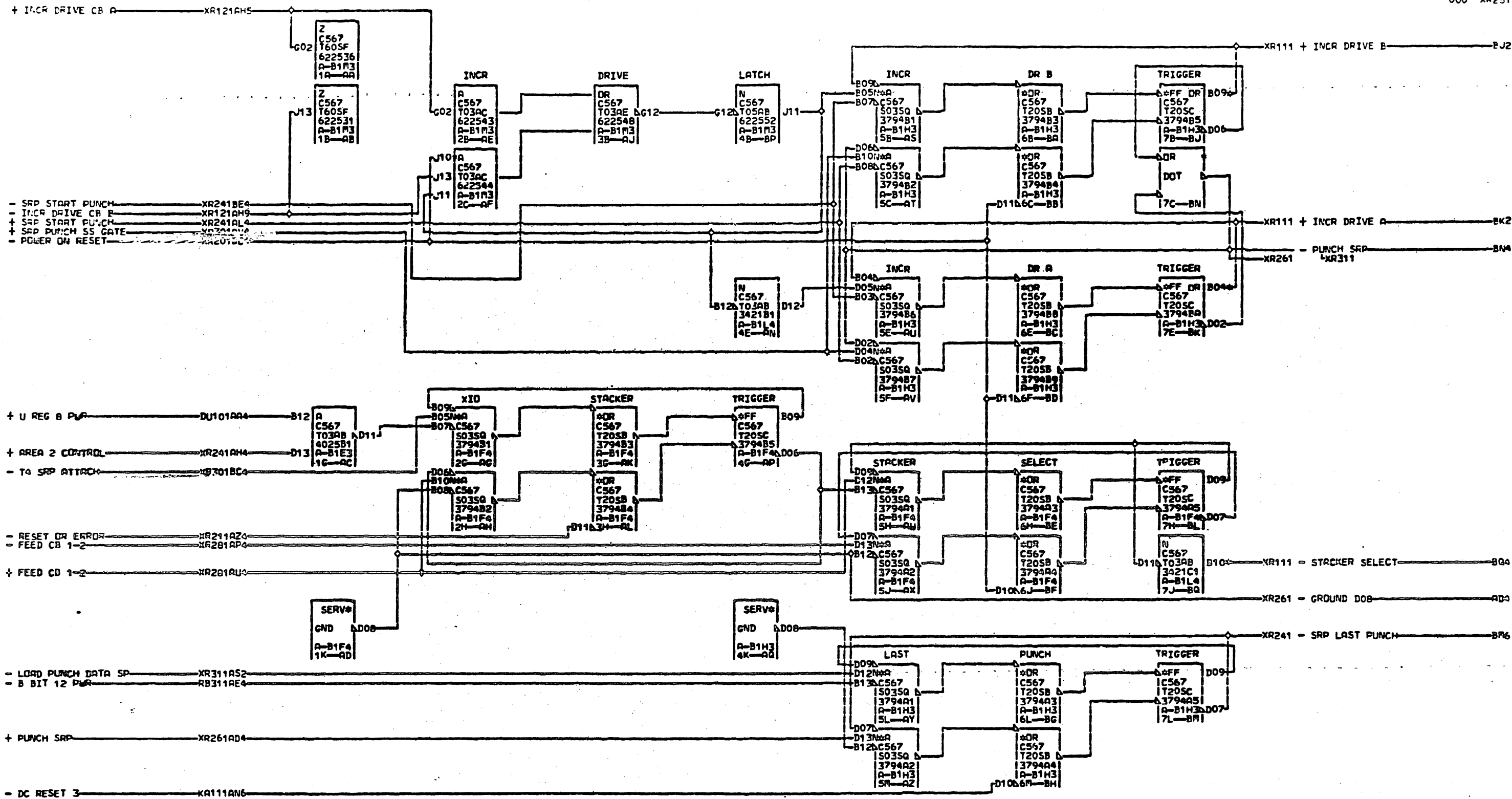
08-26-65 415483

09-24-65 415487

05-30-66 419613

SRP AREA 2 CTRL-XIO READ		
XIO FEED-XIO PUNCH		
DATE	05-31-66	MACH. 1131
LOG	144M FRAME	01
		1
		1
		000
IBM CORP.	GPD BLK.	BH





BJ2 A-81A4D02  
 BK2 A-81A4B02  
 BQ4 A-81A4D07

02-17-65 415480  
 03-04-65 415480A  
 04-28-65 415480D  
 07-20-65 415481  
 08-26-65 415483  
 09-24-65 415487  
 05-30-66 419613

SRP INCR DRIVE A AND B-  
 STACKER SEL-LAST PUNCH  
 DATE 05-31-66 PACH# 1131  
 LOG 144M FRAME 01  
 P#N# 2201188  
 IBM CORP. GPD BLK. BR

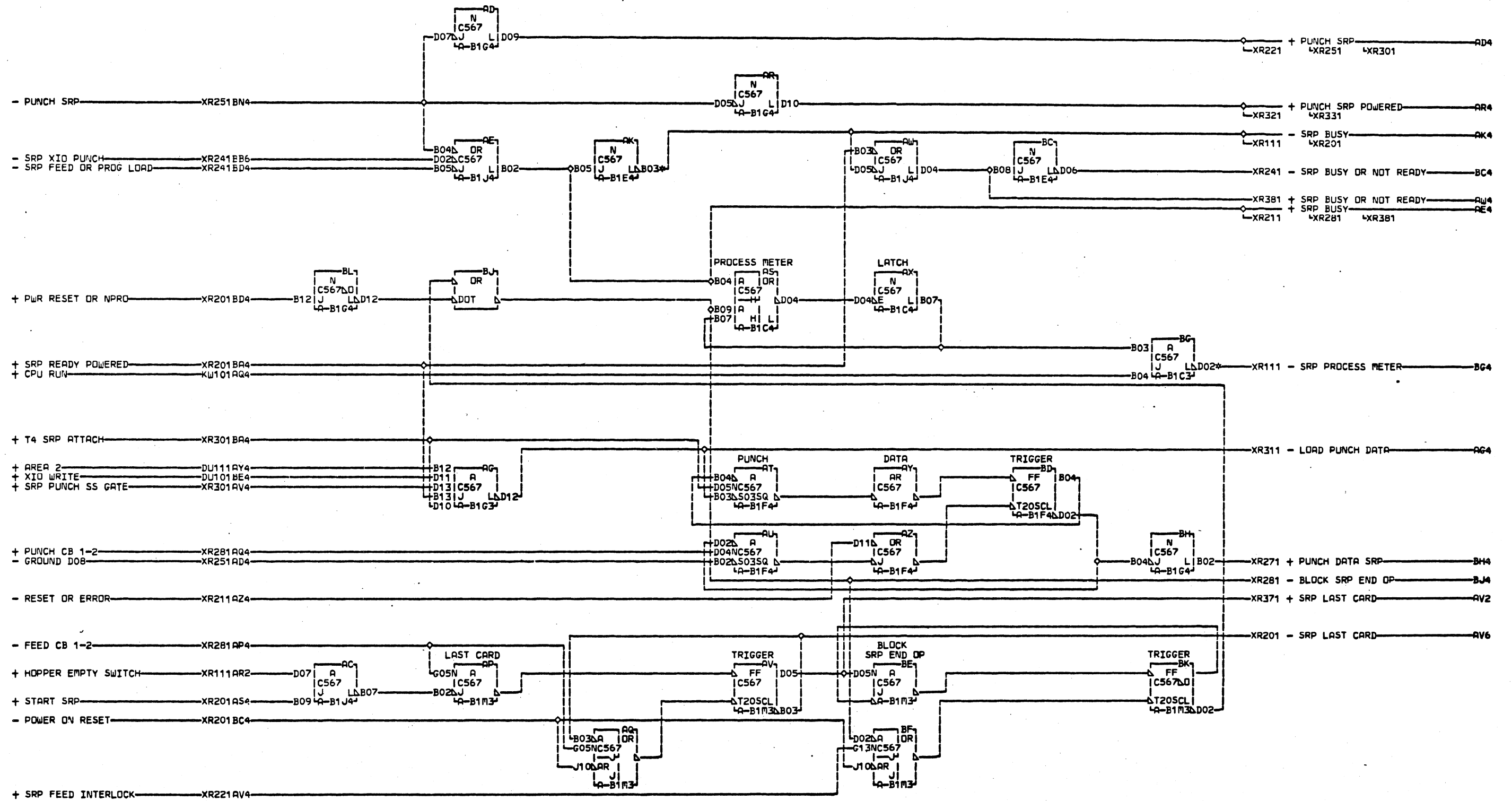
X  
 R  
 2  
 5  
 1

000

UNEX  
 1

000

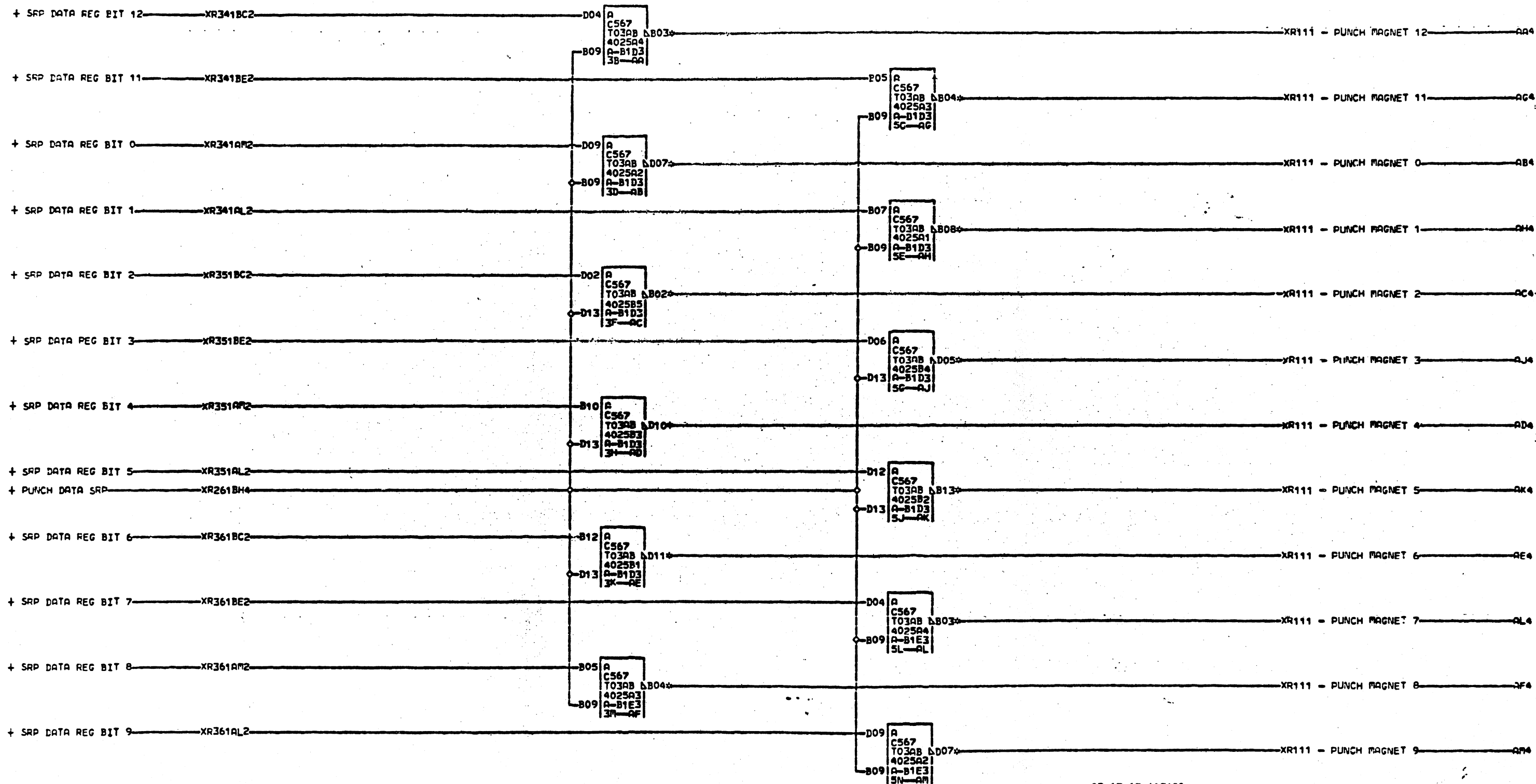




AK4 A-B1A4B08  
BG4 A-B1A3B02

LOC.	TYPE
A-B1C3	3656
A-B1C4	3130
A-B1E4	3421
A-B1F4	3794
A-B1G3	0247
A-B1G4	3686
A-B1J4	0000
A-B1M3	6225

SRP PUNCH-PCH DATA-BUSY-		PROC METER-LAST CARD-BLOCK INT		X
E-C-HISTORY		MACH#1131		R
415480	415483			2
415480A	419613	FRAME	01	6
415480D				1
415481		IBM CORP. GPD		
DATE	LAST EC			000
07-12-68	419659	PoN.	2201189	



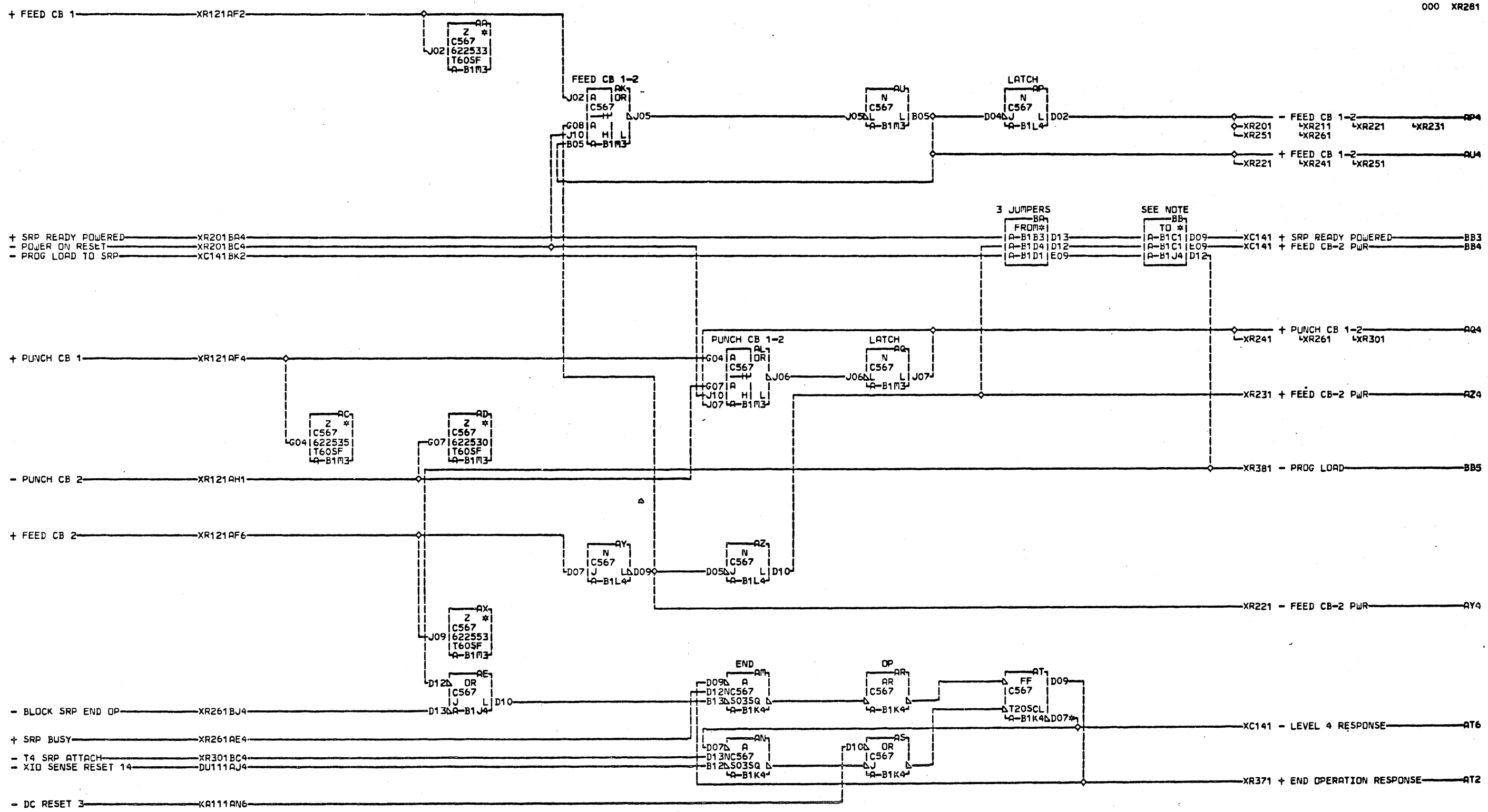
X  
R  
2  
7  
1

AA4 P-B1A3D02 AK4 P-B1A3B07  
 AB4 P-B1A3B04 AL4 P-B1A3B08  
 AC4 P-B1A3B05 AM4 P-B1A3D09  
 AD4 P-B1A3D06  
 AE4 P-B1A3D07  
 AF4 P-B1A3B09  
 AG4 P-B1A3B03  
 AH4 P-B1A3D04  
 AJ4 P-B1A3D05

02-17-65 415480  
 04-28-65 415480D  
 08-26-65 415483  
 05-30-66 419613

SRP PUNCH MAGNET GATES  
 DATE 05-31-66 MACH# 1131  
 LOG 144M FRAME 01  
 P# 2201190  
 IBM CORP., GPD BLK# AN

X  
R  
2  
7  
1



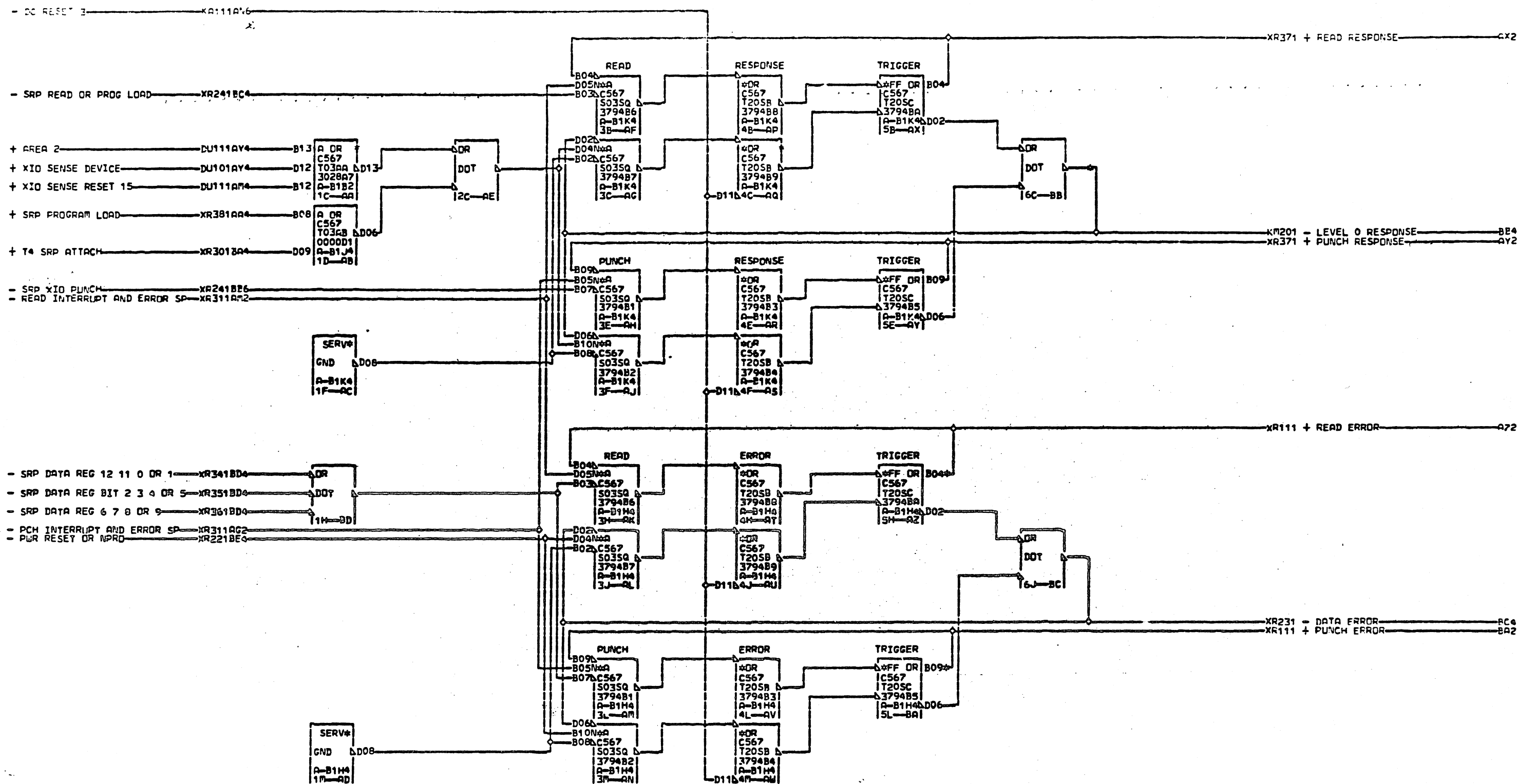
NOTE: THESE 3 JUMPERS ARE  
REQUIRED ON MACHINES  
WITH A 1442

AT6 A-B1F1D11  
01A-B1F1C11  
01A-C1F1C11  
01A-C1F1D11

LOC. TYPE  
A-B1J4 0000  
A-B1K4 3794  
A-B1L4 3421  
A-B1M3 6225

SRP FEED CB 1-2 - LVL 4 RESP			
PUNCH CB 1-2			
E.C.	HISTORY	MACH	1131
415483A	415487		
415480D	419613	FRAME	01
415481	419623		
415483	419633	IBM CORP.	GPD
DATE	LAST EC		
07-12-68	419659	P.N.	2201198

X  
R  
2  
8  
1  
000



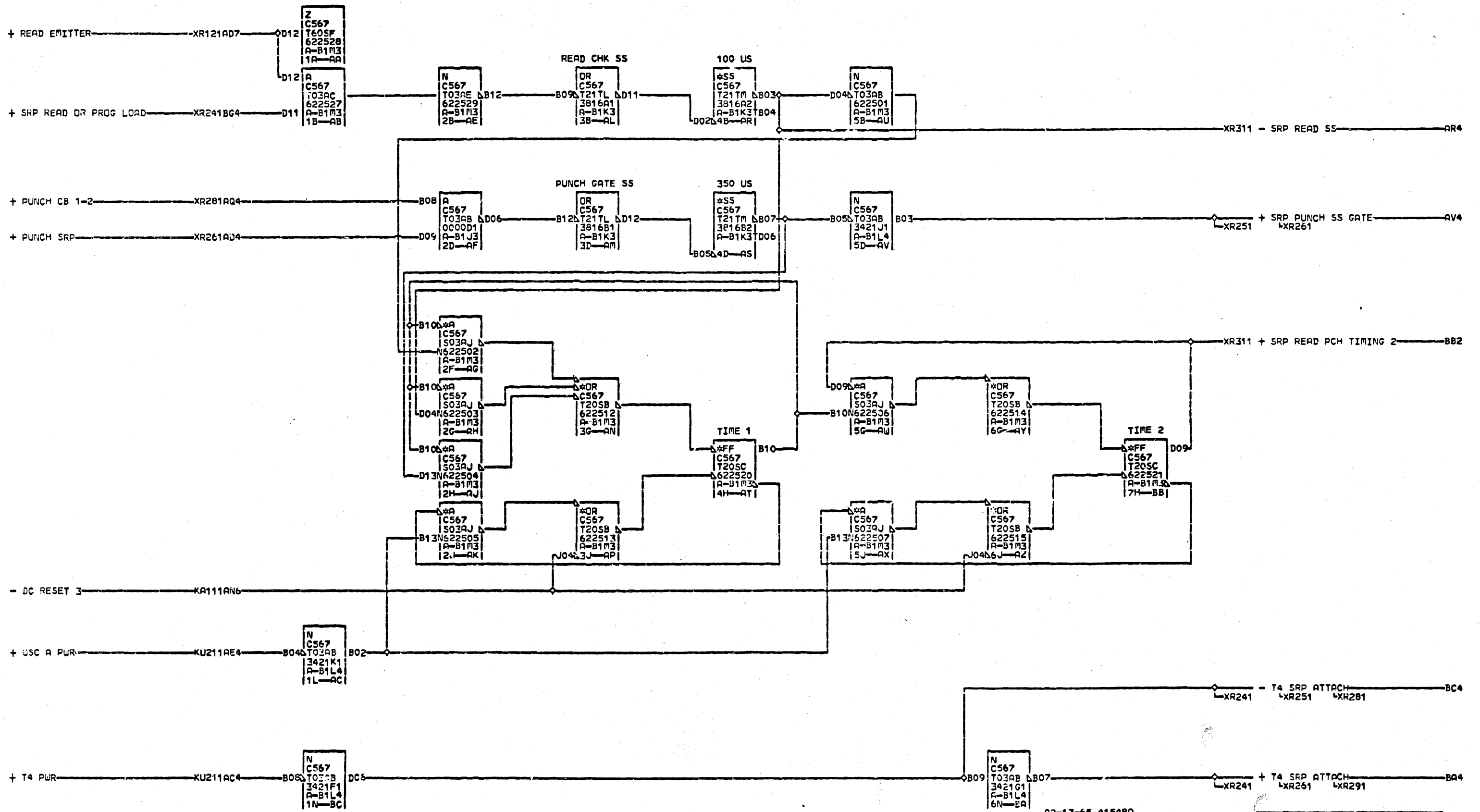
XR291

A22 A-B1A4D04  
 BA2 A-B1A4B09  
 BB4 A-B1D1A09  
 01A C1D1A09  
 01A C1N4D09  
 01B A1A6D09

02-17-65 415480  
 03-04-65 415480A  
 04-28-65 415480D  
 08-26-65 415483  
 05-30-66 419613

SRP READ	PUNCH	LVL 0 RESP
READY	PUNCH	DATA ERROR
DATE	05-31-66	PAGE 1131
LOG	1444 FRAME	01
		Page 2201199
IBM CORP.	GPD BLK.	BF

XR291

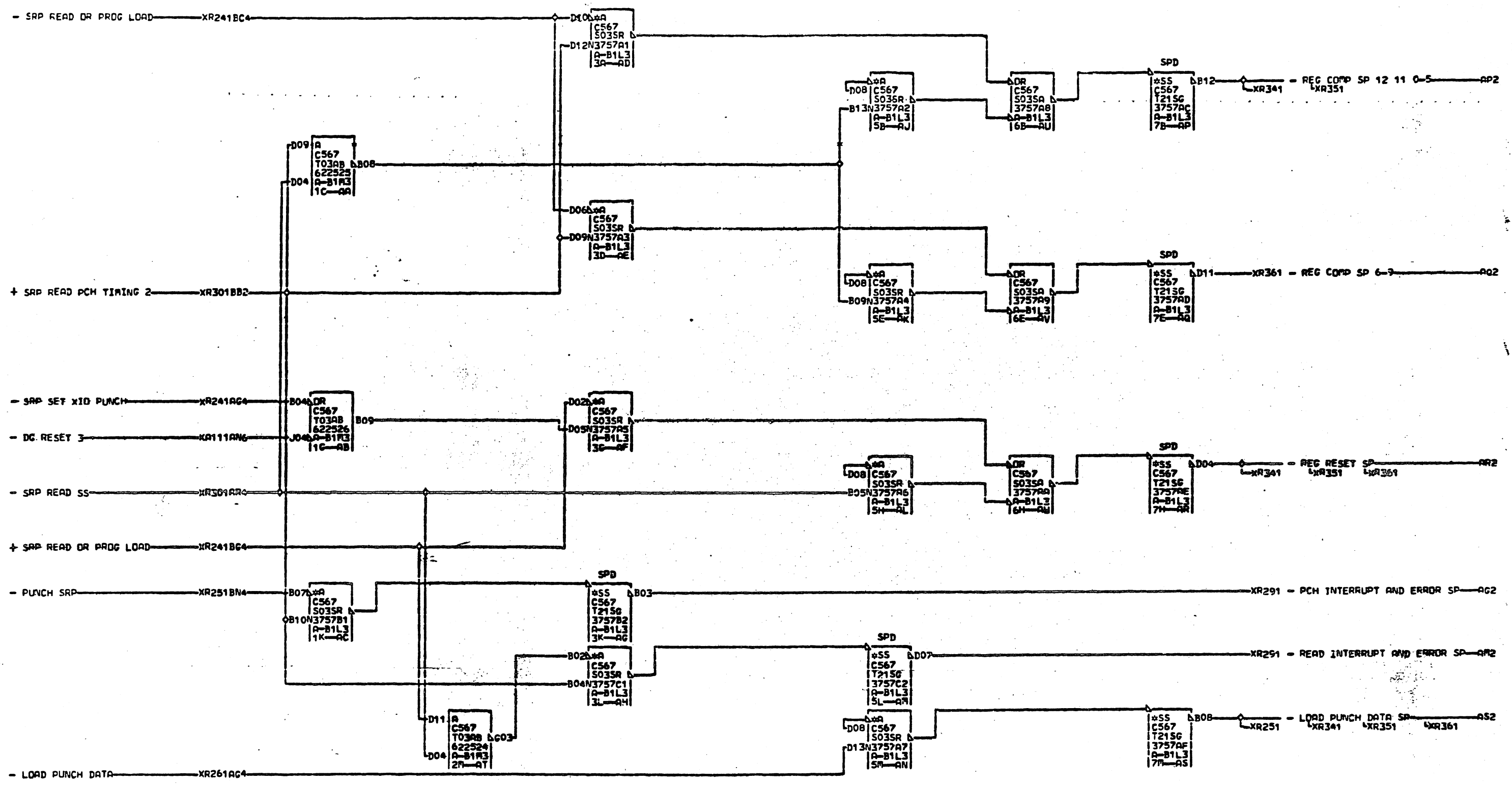


X  
R NOTE 2 SINGLE SHOT  
3 ADJUSTMENT POTS ARE  
0 SITUATED AS FOLLOWS  
1 READ CHK SS - UPPER POT  
PUNCH GATE SS - LOWER POT  
000

02-17-65 415480  
03-04-65 415490A  
04-28-65 415480D  
07-20-65 415481  
08-26-65 415483  
09-24-65 415487  
02-01-66 419603  
05-30-66 419613  
10-14-66 419623

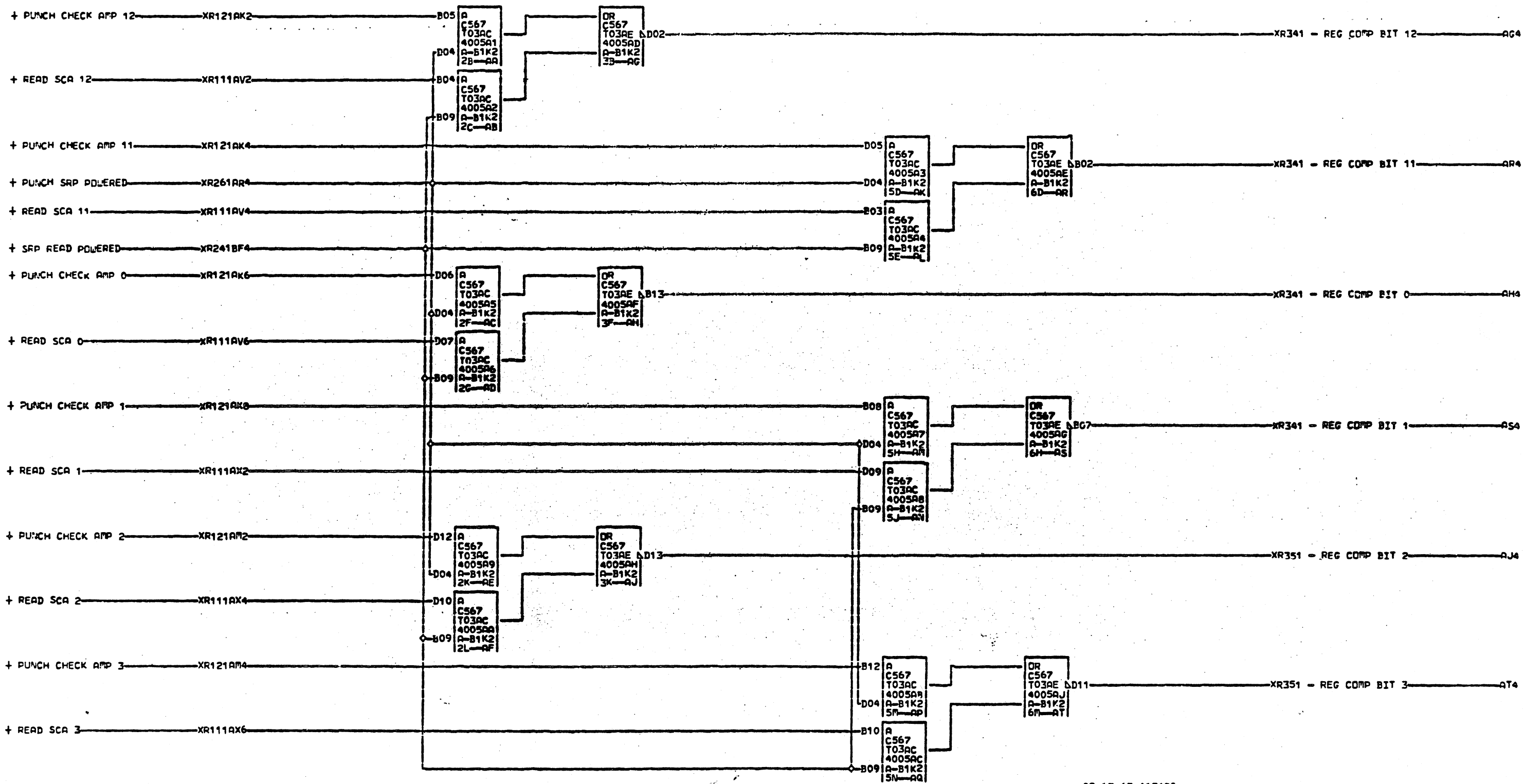
SRP SS 1-SS 2-TGR 1-TGR 2		
CLOCK A		
DATE	09-27-66	MACH. 1131
LOG	266K FRAME	01
	P#N	2201191
IBM CORP.	GPD BLK.	BD

X  
R  
3  
0  
1  
000



02-17-65 415480  
 03-04-65 415480A  
 04-28-65 415480D  
 07-20-65 415481  
 08-26-65 415483  
 09-24-65 415487  
 05-30-66 419613

SRP REG RESET	COMP SPD-AD	PCH	
INTERR SPD-LOAD	PCH DATA	SPD	
DATE	05-31-66	MACH	1131
LDG	144M FRAME		01
		PoNo	2201192
IBM CORP.	GPD BLK		AX



02-17-65 415480  
 04-28-65 415480D  
 08-26-65 415483  
 05-30-66 419613

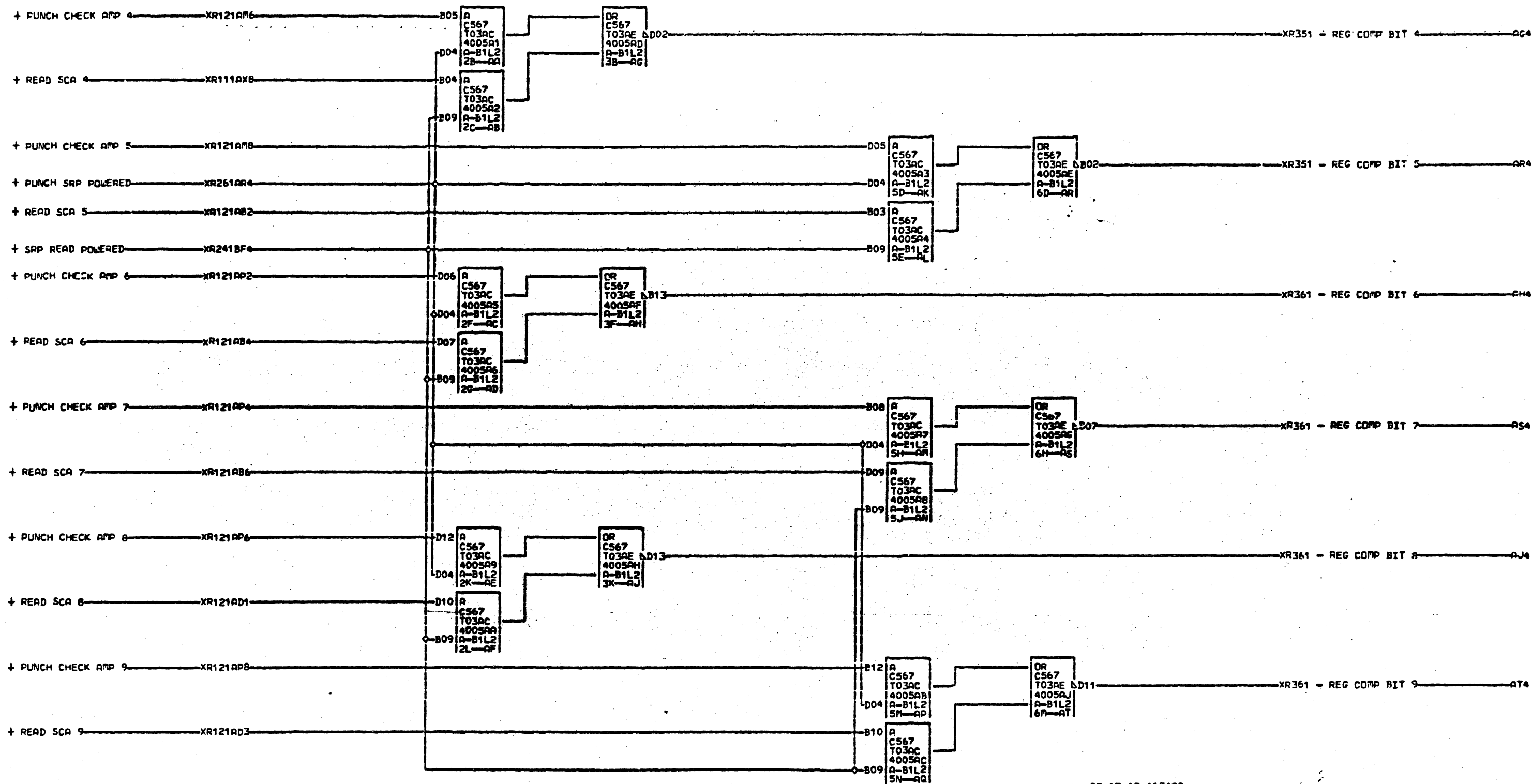
SRP REGISTER COMPLEMENT BITS			
DATE	05-31-66	MACH#	1131
LOG	144M FRAME		01
		Page	2201193
IBM CORP.	GPD BLK#		QU

XR321

000

XR321

000

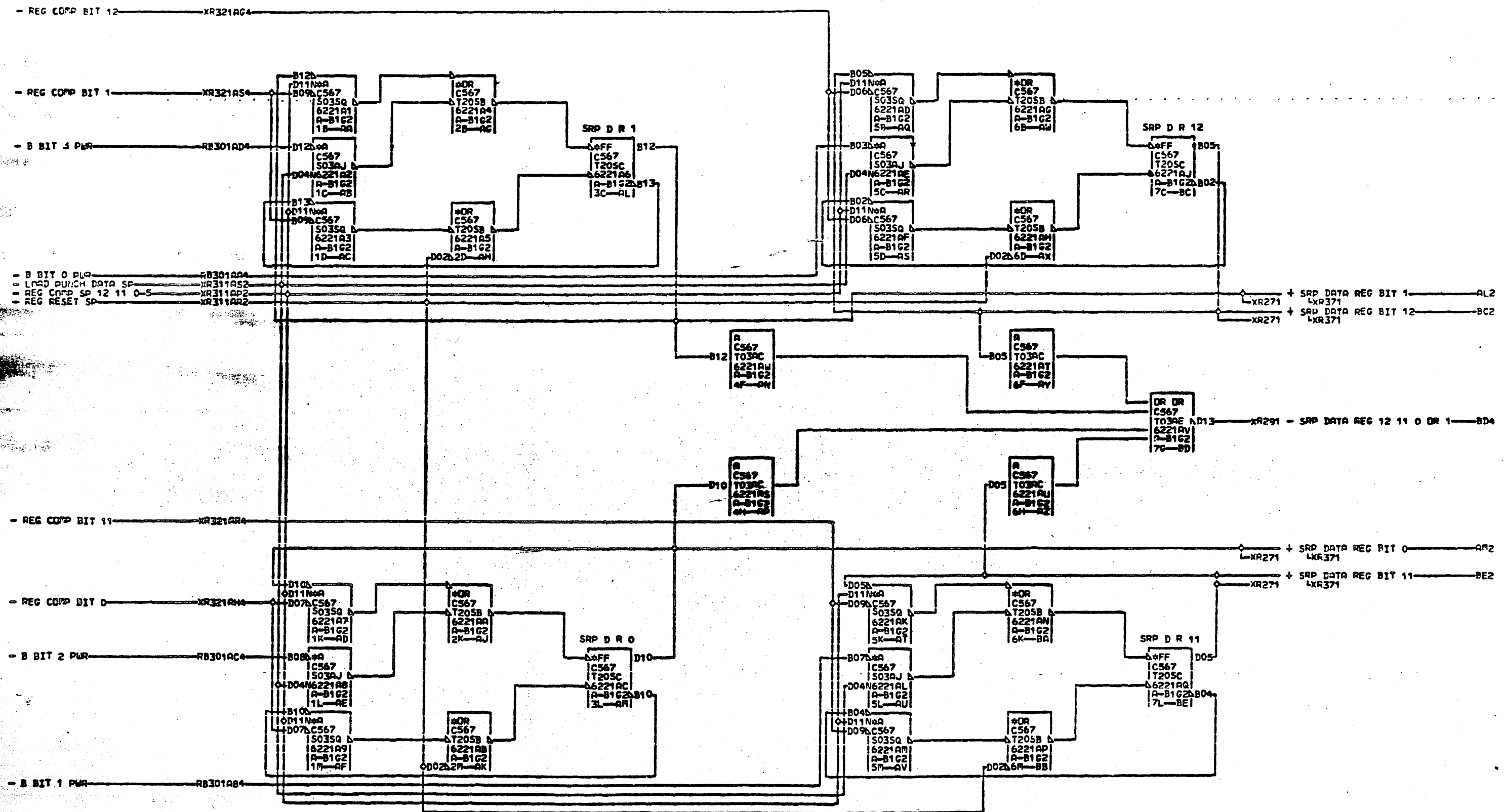


02-17-65 415480  
 04-28-65 415480D  
 08-26-65 415483  
 05-30-66 419613

SRP REGISTER COMPLEMENT BITS		
4 5 6 7 8 9		
DATE	05-31-66	PAGE# 1131
LOG	144M FRAME	01
	P#	2201194
IBM CORP.	GPD BLK.	AJ

XR331





- B BIT 12 PLR XR321AG4  
 - REG COMP BIT 1 XR321AS4  
 - B BIT 1 PLR RB301AD4  
 - B BIT 0 PLR RB301AA4  
 - LOAD PUNCH DATA SP XR311AS2  
 - REG COMP SP 12 11 0-5 XR311AP2  
 - REG RESET SP XR311AR2

+ SRP DATA REG BIT 1 AL2 LXR371  
 + SRP DATA REG BIT 12 BC2 LXR371

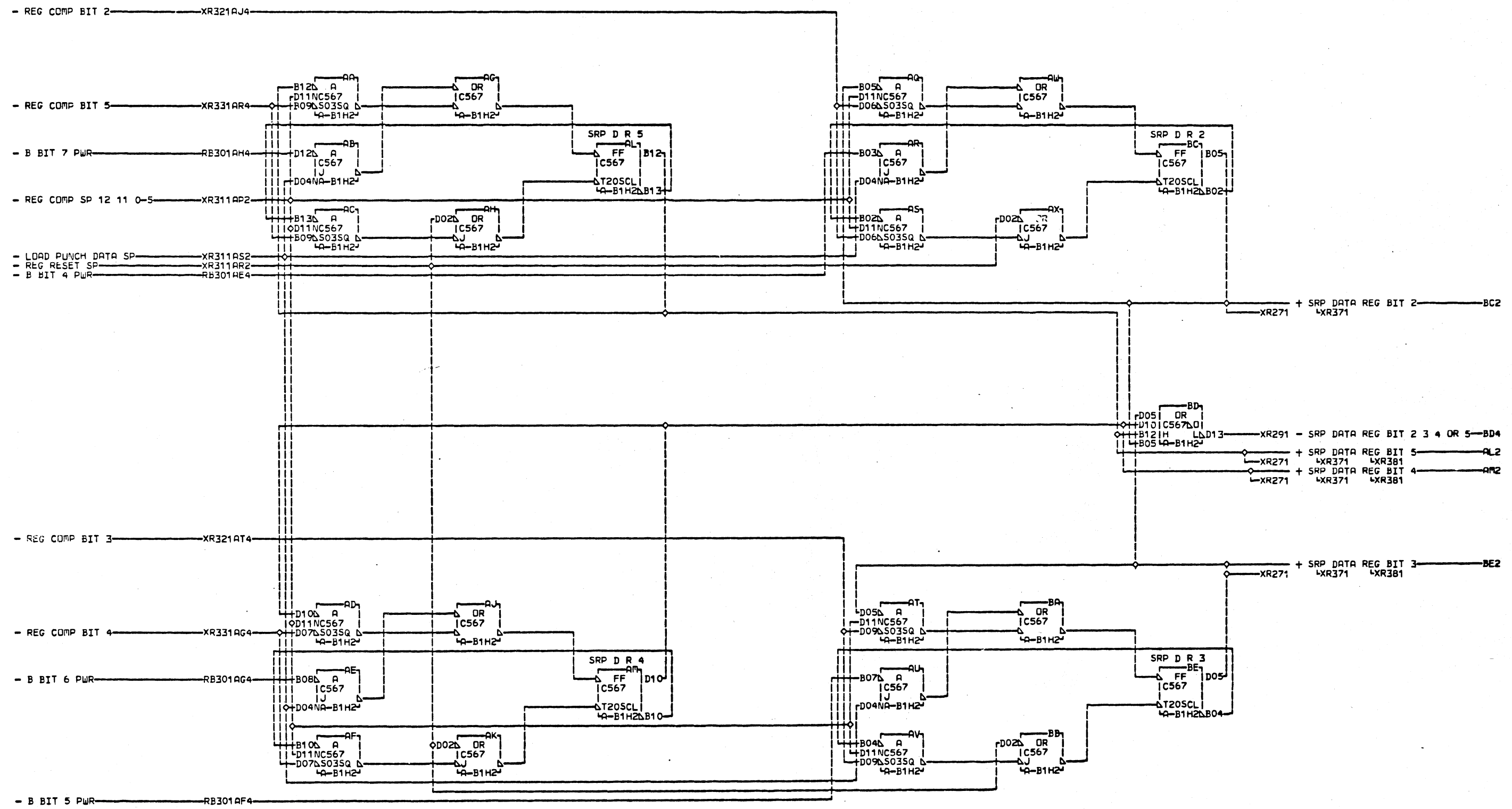
XR291 - SRP DATA REG 12 11 0 DR 1 BD4

+ SRP DATA REG BIT 0 AM2 LXR371  
 + SRP DATA REG BIT 11 BE2 LXR371

02-17-65 415480  
 04-28-65 415480D  
 07-20-65 415481  
 08-26-65 415483  
 05-30-66 419613

SRP BUFFER REGISTER		
BITS 12 11 0 1		
DATE	05-31-66	ARCH# 1131
LOG	144A FRAME	01
P# 2201195		080
IBM CORP.	GPD BLK#	BF

XEROX

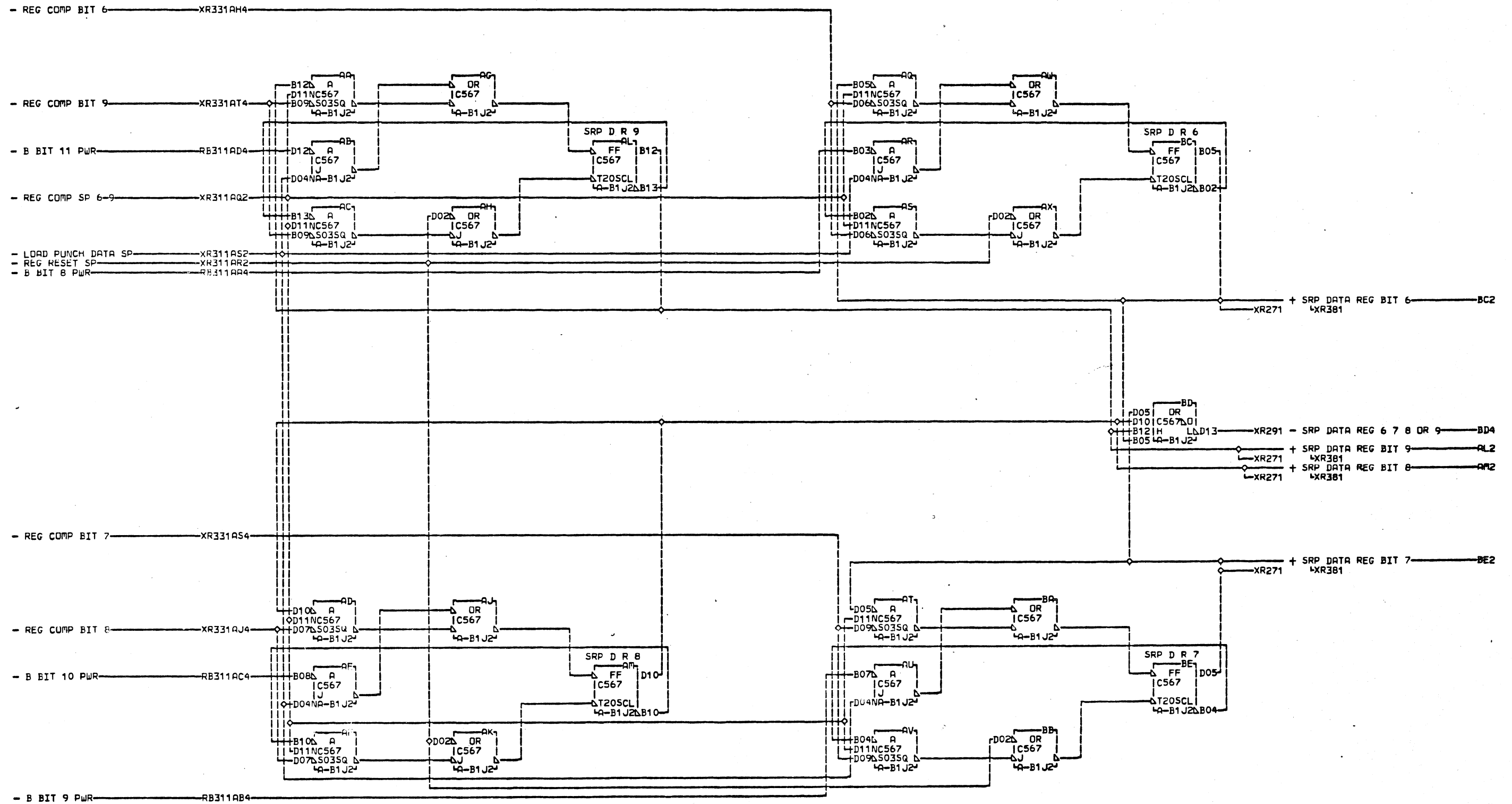


LOC. TYPE  
A-B1H2 6221

SRP BUFFER REGISTER			
BITS 2 3 4 5			
—E.C.—	HISTORY	MACH.	1131
415480	419613	FRAME	Q1
415481		IBM CORP.	GPD
DATE	LAST EC	IPeNo.	2201196
07-12-68	419659		

XR351

XR351

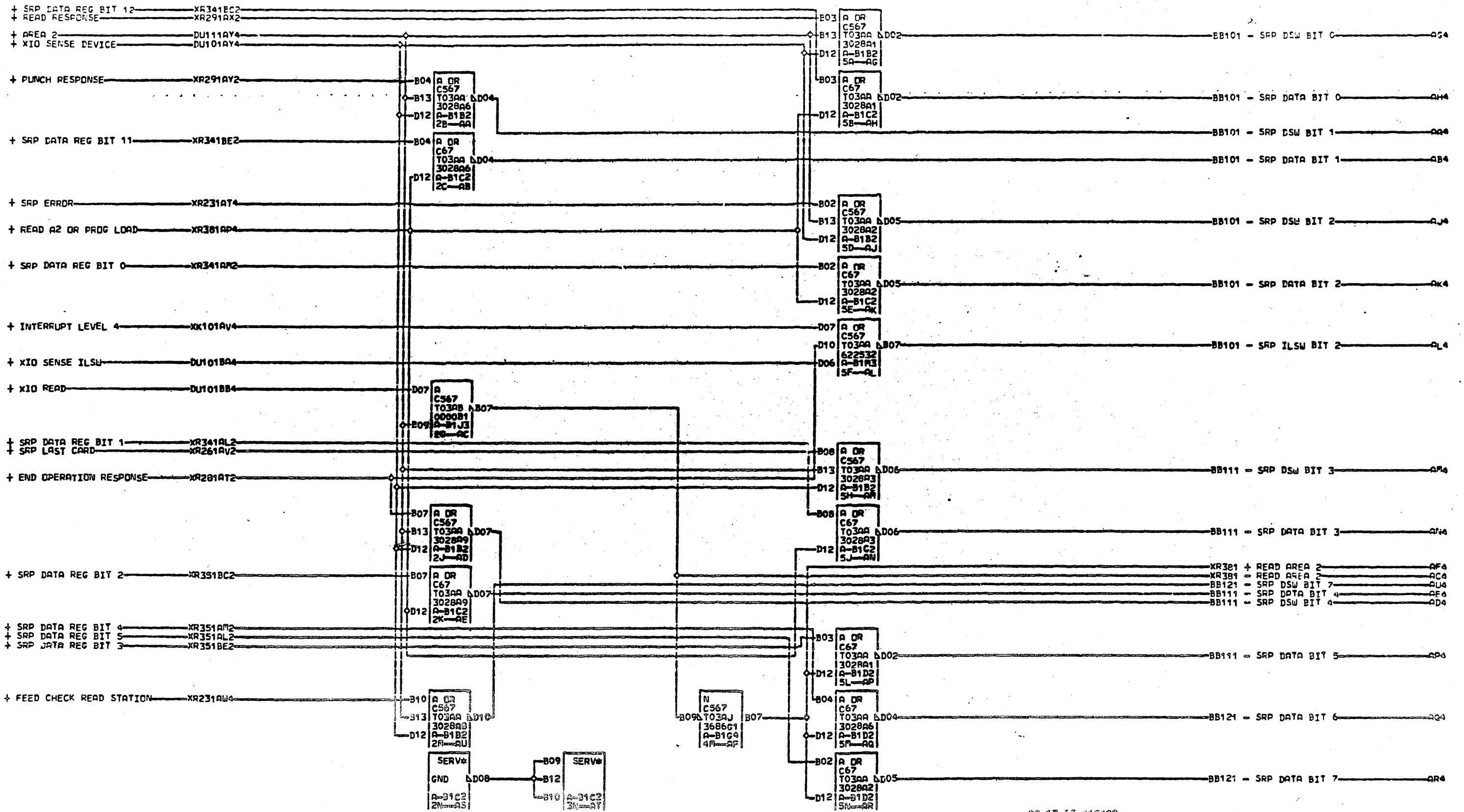


LDC. TYPE  
A-B1J2 6221

SRP BUFFER REGISTER			
BITS 6 7 8 9			
E.C.	HISTORY	MACH. 1131	
415480	415483	FRAME	01
415480A	419613		
415480D			
415481	IBM CORP. GPD		
DATE	LAST EC		
07-12-68	419659	PoNo	2201197

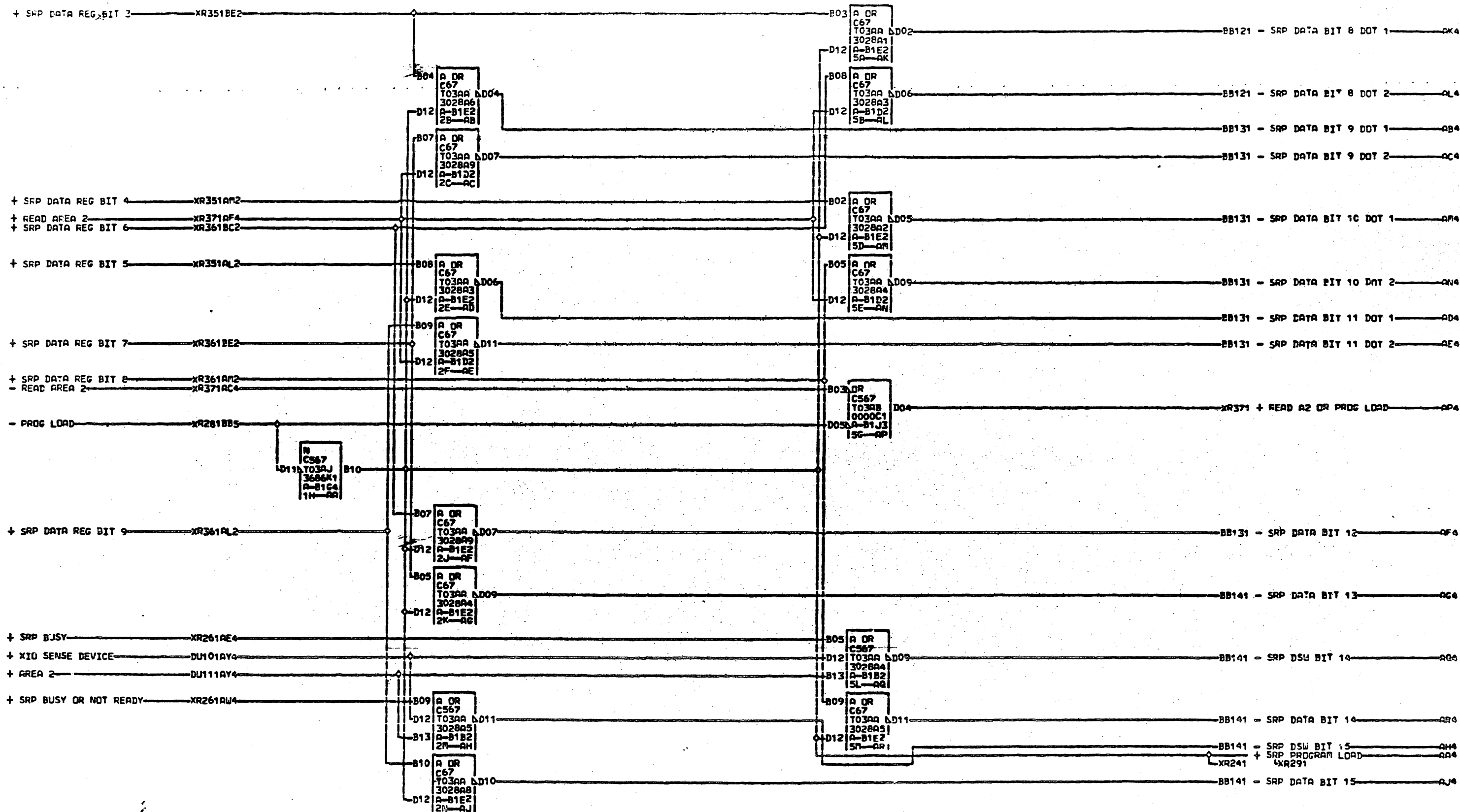
XR361

XR361



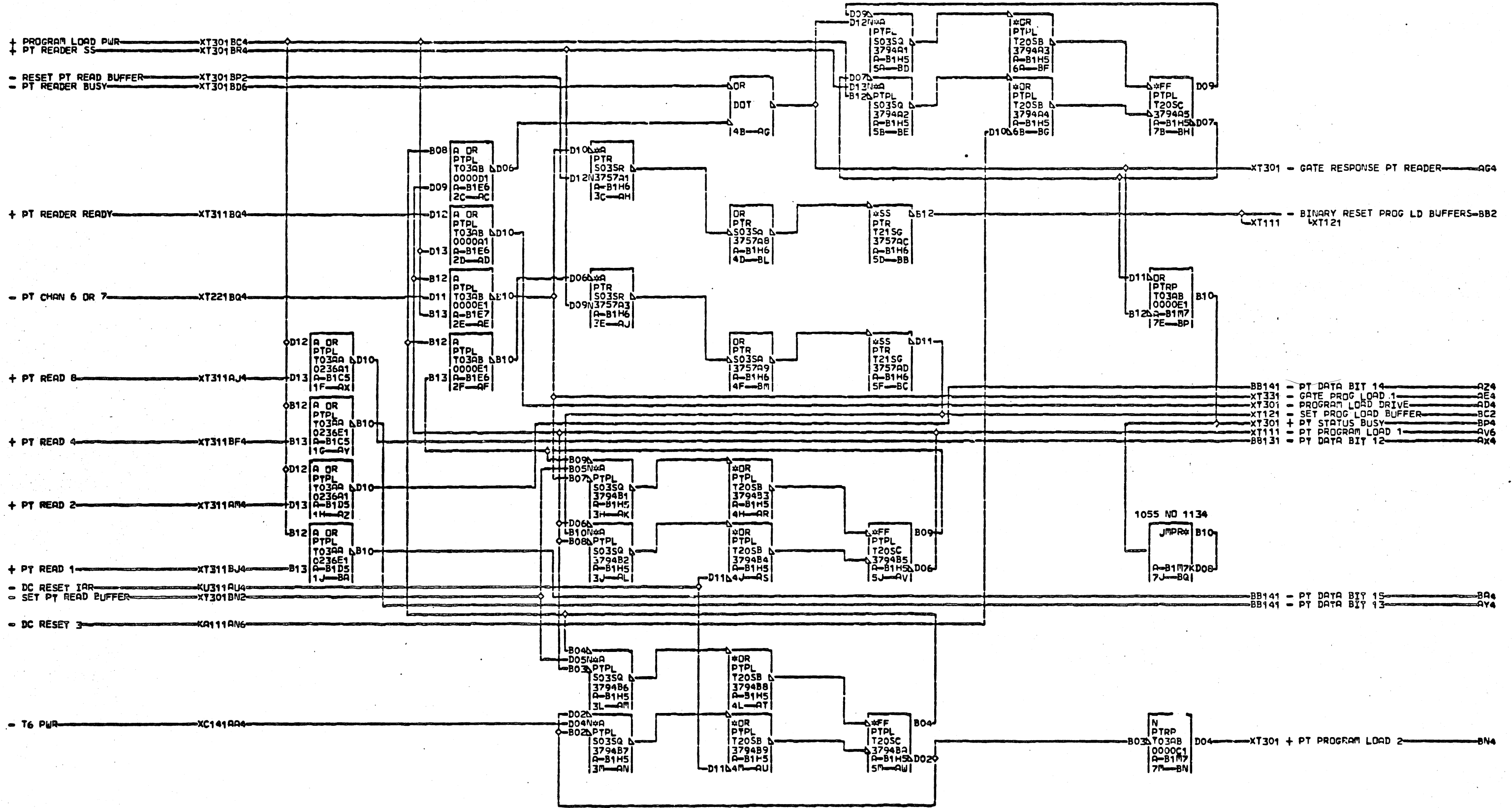
02-17-65 415480  
 03-04-65 415480A  
 04-28-65 415480B  
 07-20-65 415481  
 08-26-65 415483  
 09-24-65 415487  
 02-01-66 419603  
 05-30-66 419613

SRP DSW BITS AND DATA BITS		
DATE	05-31-66	MACH. 1131
LOG	144M FRAME	01
P.No. 2201200		
IBM CORP.	GPD BLK.	AV



02-17-65 415480  
 04-28-65 415480D  
 07-20-65 415481  
 02-26-65 415483  
 02-01-66 419603  
 05-30-66 419613

SRP DSU BITS AND DATA BITS									
DATE	8	9	10	11	12	13	14	15	X
05-31-66									R
									3
LOG	144A	FRAME							8
									1
									000
									AS

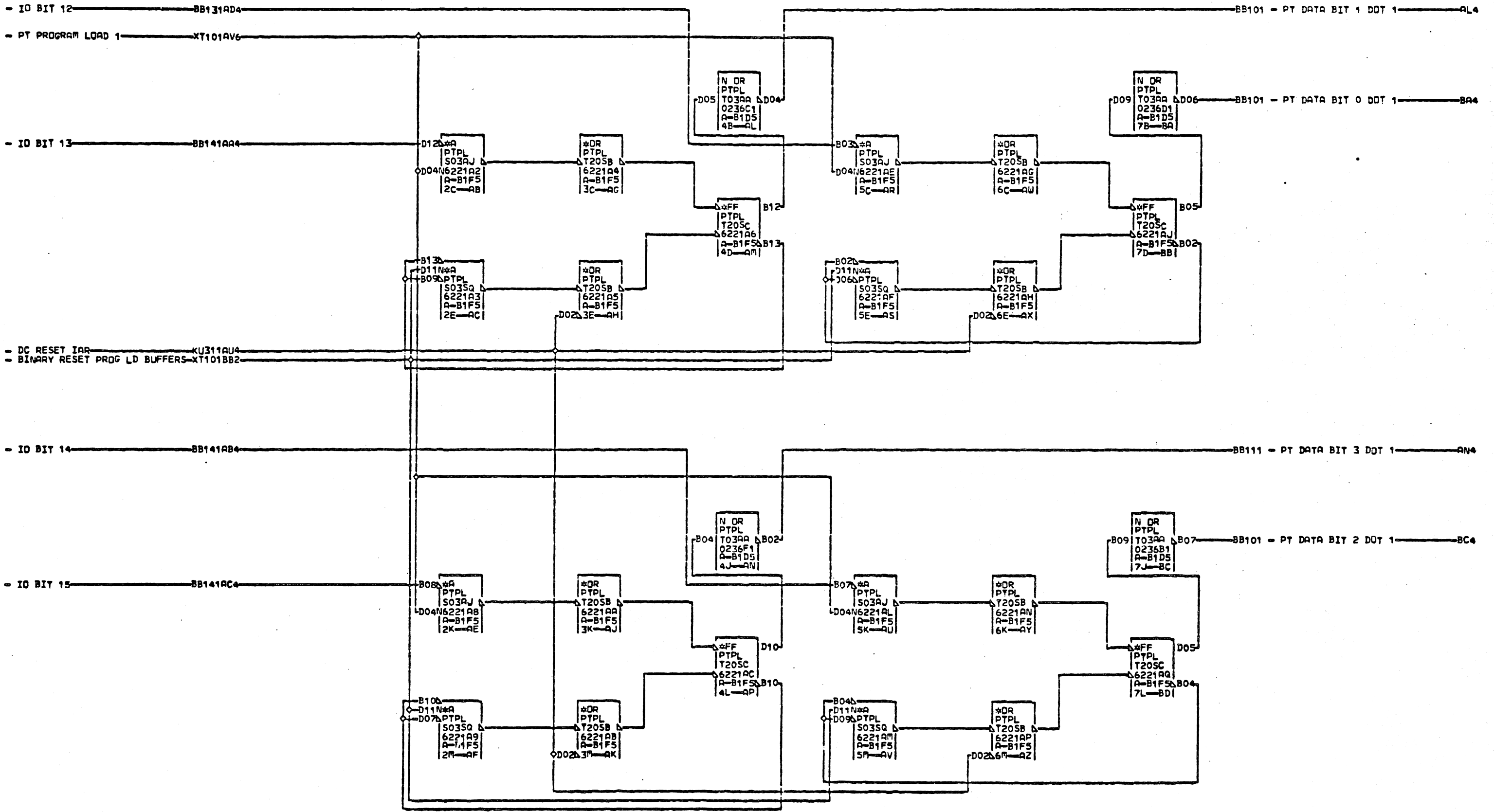


XT101  
000

02-17-65 415480  
 03-04-65 415480A  
 04-28-65 415480D  
 07-20-65 415481  
 08-26-65 415483  
 12-28-65 415725  
 02-01-66 419603  
 05-09-66 419608  
 02-24-67 419633

PAPER TAPE PROGRAM LOAD		
DATE	03-09-67	PACH. 1131
LOG	047F	FRAME 01
P.No. 2201288		
IBR CORP.	GPD BLK.	BR

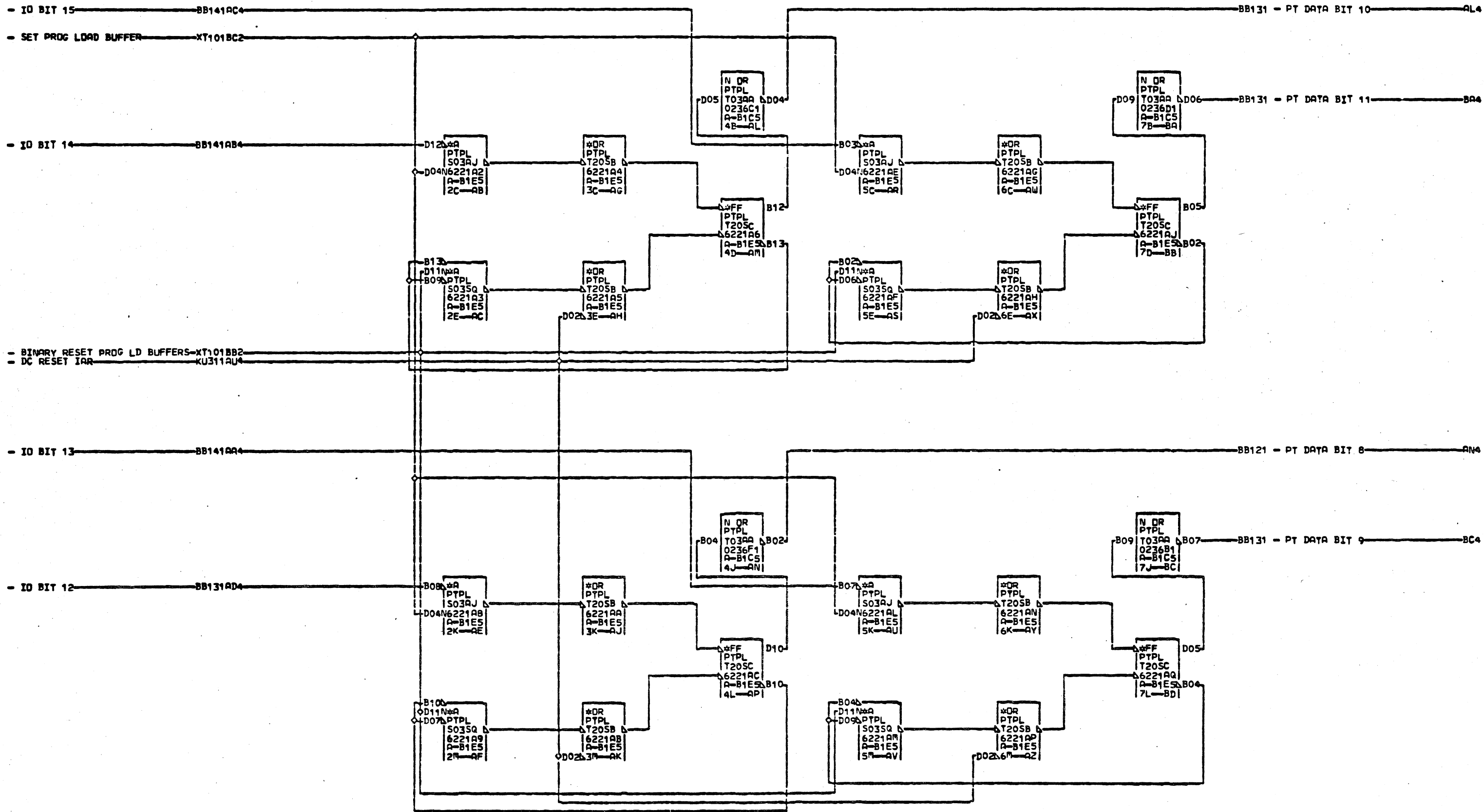
XT101  
000



02-17-65 415480  
 04-28-65 415480D  
 07-20-65 415481  
 08-26-65 415483  
 02-24-67 419633

PAPER TAPE PROG LOAD BUFFERS		
BITS 0-3		
DATE	03-09-67	FRAC# 1131
LOG	047F	FRAME 01
P.No 2201203		
IBM CORP.	GPD BLK.	BE

X  
T  
1  
1  
1  
000



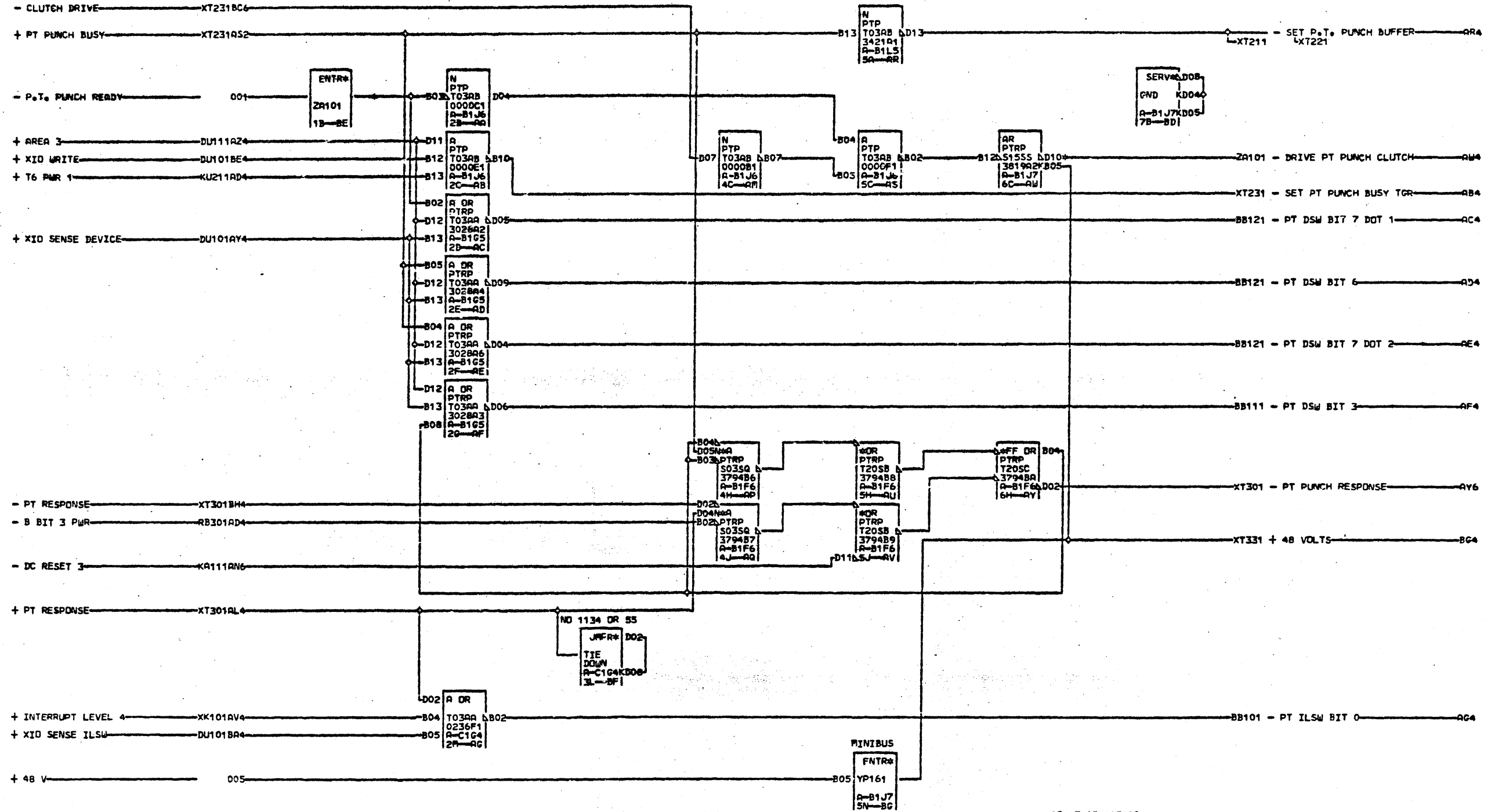
X  
T  
1  
2  
1  
000

02-17-65 415480  
 03-04-65 415480A  
 04-28-65 415480D  
 07-20-65 415481  
 08-26-65 415483  
 02-24-67 419633

PAPER TAPE PROG LOAD BUFFERS		
BITS 8-11		
DATE	03-09-67	FRAM# 1131
LOG	047P	FRAME 01
P.o# 2201204		
IBM CORP.	GPD BLK.	BE

X  
T  
1  
2  
1  
000



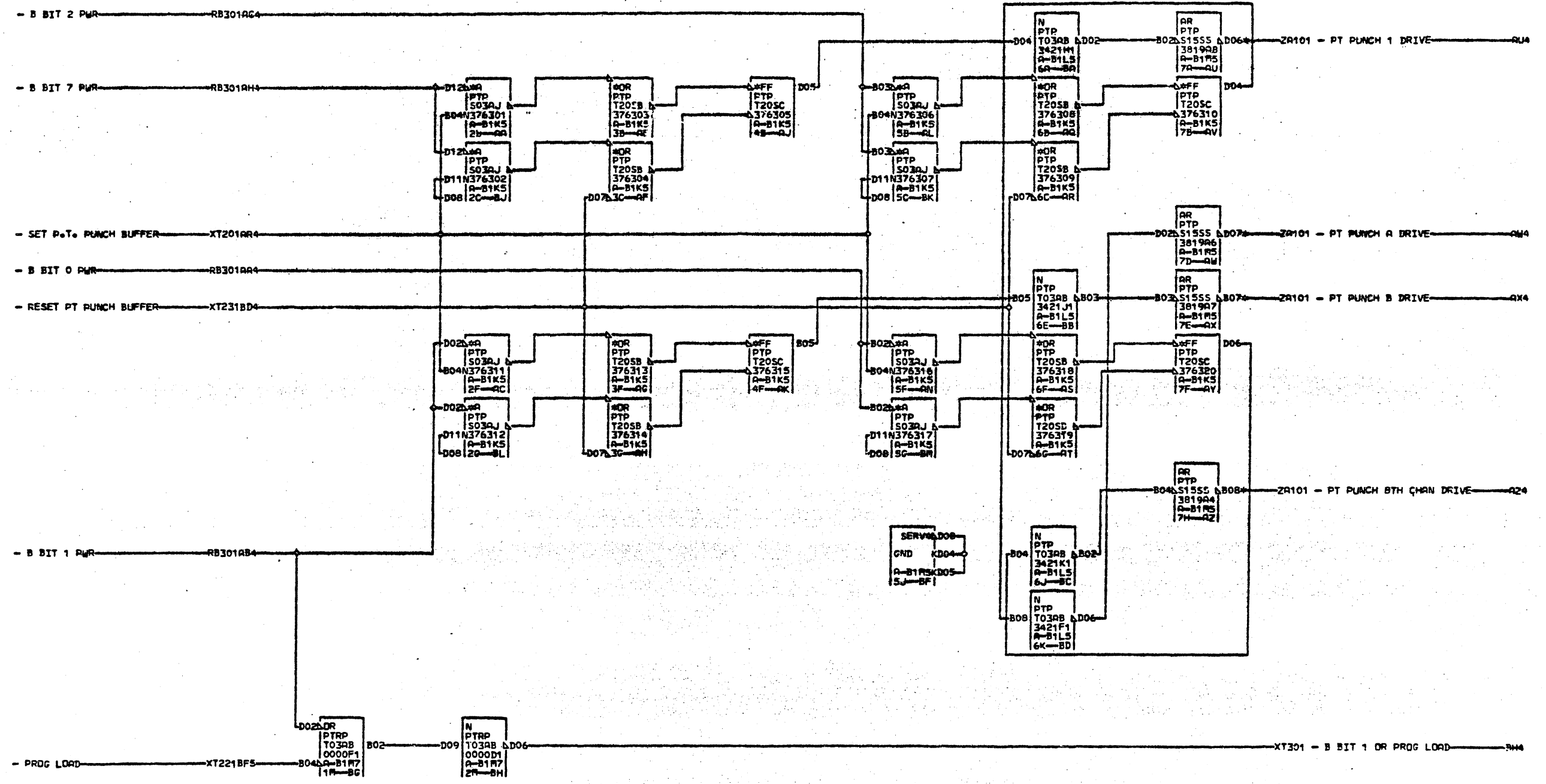


AW# A-B1N5D04  
BE# A-B1N5B03

02-17-65 415480  
04-28-65 415480D  
07-20-65 415481  
08-26-65 415483  
12-28-65 415725

PAPER TAPE PUNCH		
DATE	01-10-66	PACH# 1131
LDG	004B	FRAME 01
		P#N# 2201289
IBM CORP.	GPD	BLK# BH

X  
T  
2  
0  
1  
000



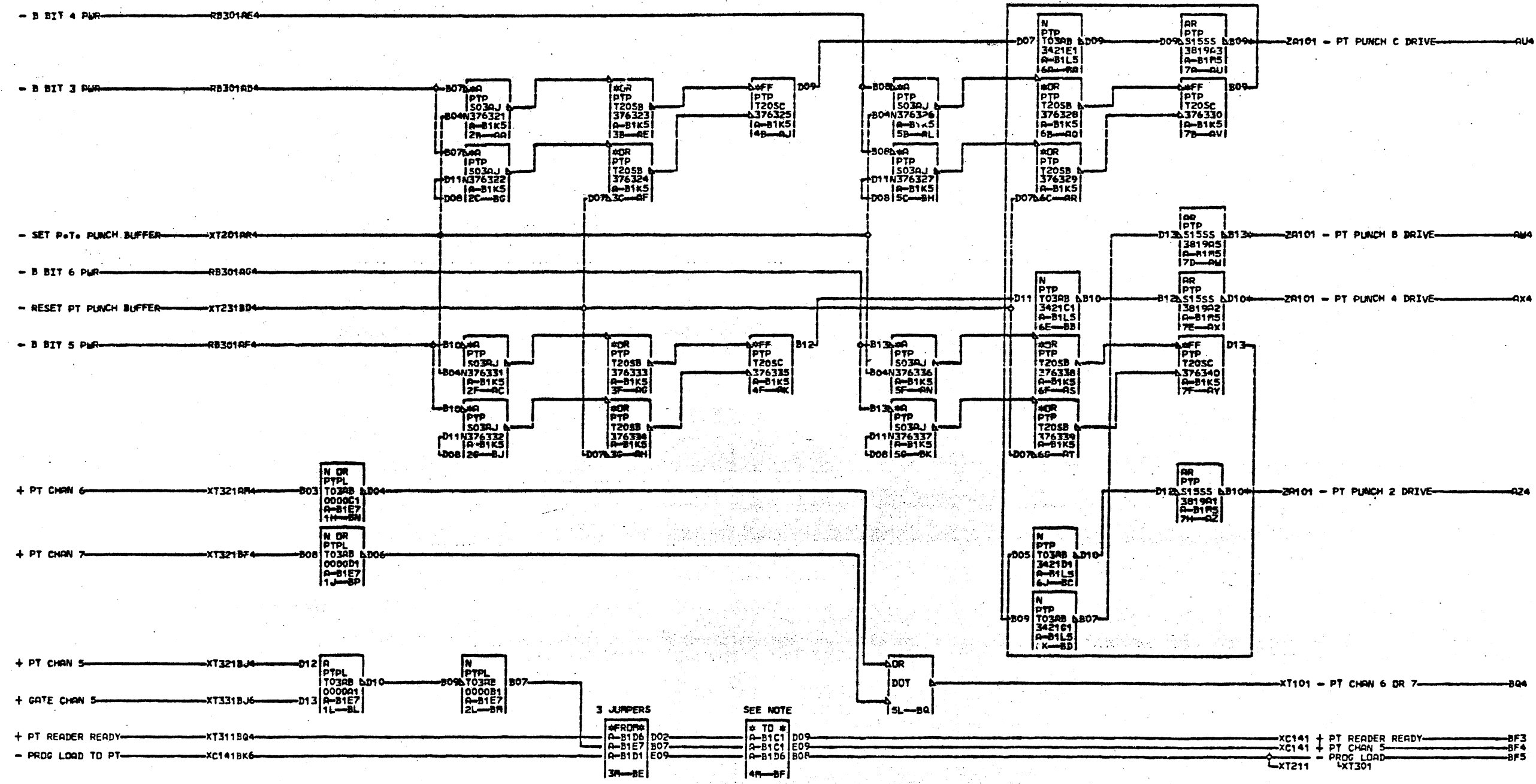
X  
T  
2  
1  
1  
000

QA4 A-B1N5D06  
QA4 A-B1N5D07  
QA4 A-B1N5D07  
AZ4 A-B1N5B08

02-17-65 415480  
04-28-65 415480D  
07-20-65 415481  
08-26-65 415483  
12-22-65 415725

PAPER TAPE PUNCH BUFFERS DRIVE			
DATE	01-10-66	MACH.	1131
LOG	361C FRAME	01	
		P.No.	2201206
IBM CORP.	GPD BLK.		BN

X  
T  
2  
1  
1  
000



NOTE: THESE 3 JUMPERS ARE  
REQUIRED ON MACHINES  
WITHOUT A 1442

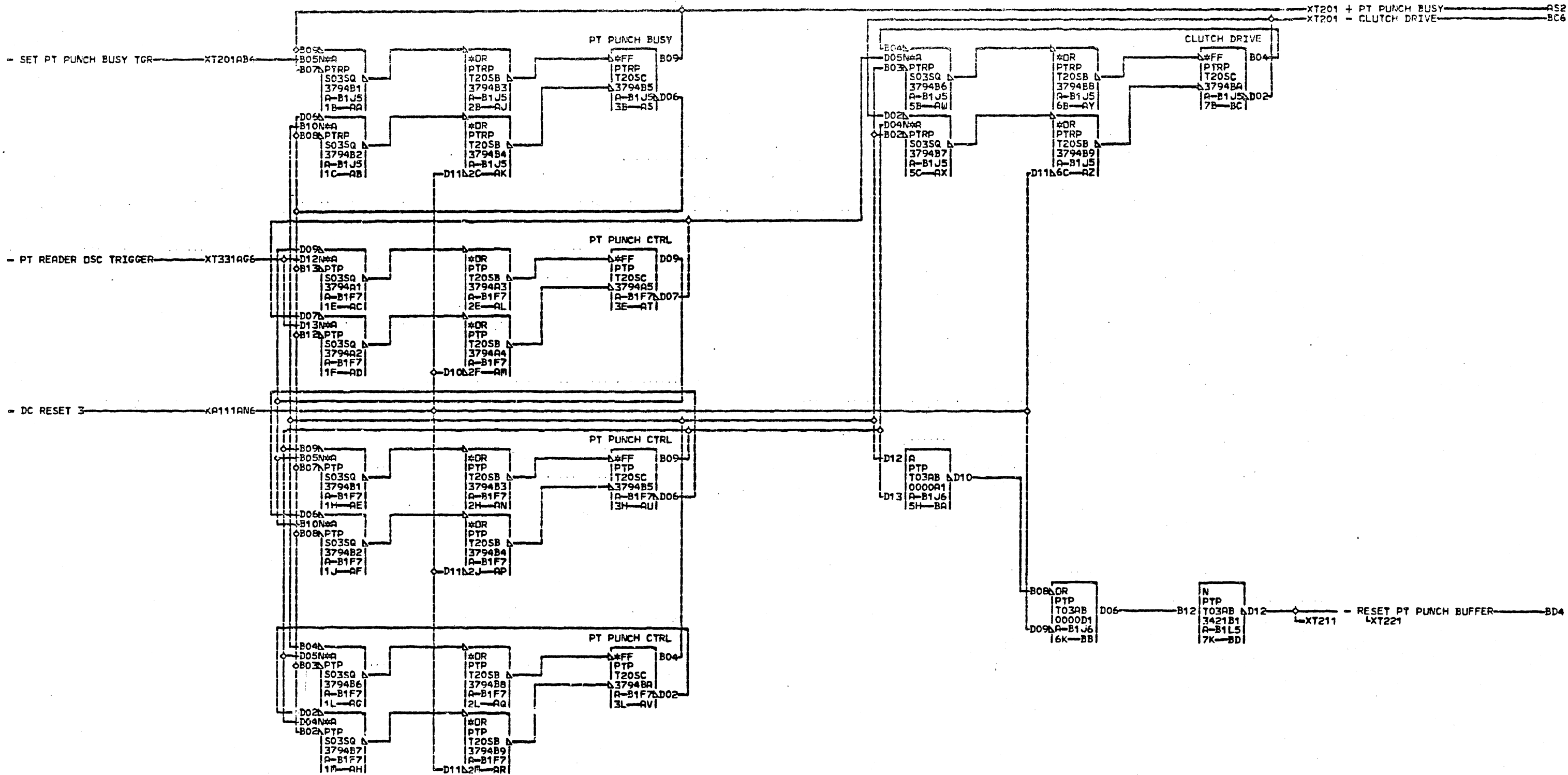
AU4 A-B1N5B09  
AU4 A-B1N5B13  
AX4 A-B1N5D10  
AZ4 A-B1N5B10

02-17-65 415480  
04-28-65 415480D  
07-20-65 415481  
08-20-65 415481  
12-28-65 415725  
02-01-66 419603  
05-09-66 419608

PAPER TAPE PUNCH BUFFERS DRIVE		
DATE	05-03-66	PACH# 1131
LOG	123H FRAME	01
	P#N#	2201291
IBM CORP.	CPD BLK#	BR

XT  
2  
2  
1  
000

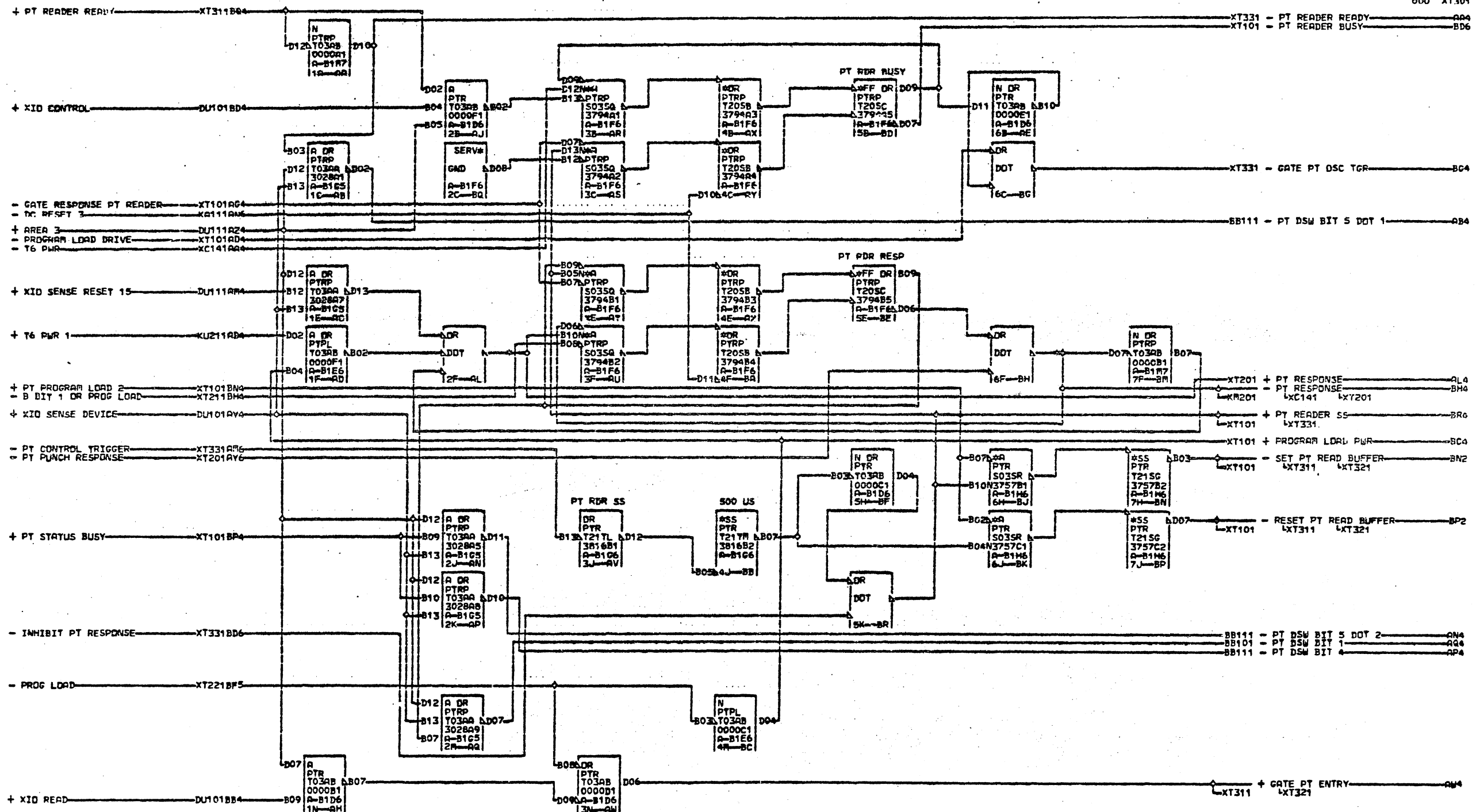
XT  
2  
2  
1  
000



12-28-65 415725  
01-15-66 415726

PAPER TAPE PUNCH CONTROL			
DATE	01-13-66	MACH.	1131
LOG	014N	FRAP	01
		P.N.	2201346
IBM CORP.	SDS	BLK.	BE

XT231

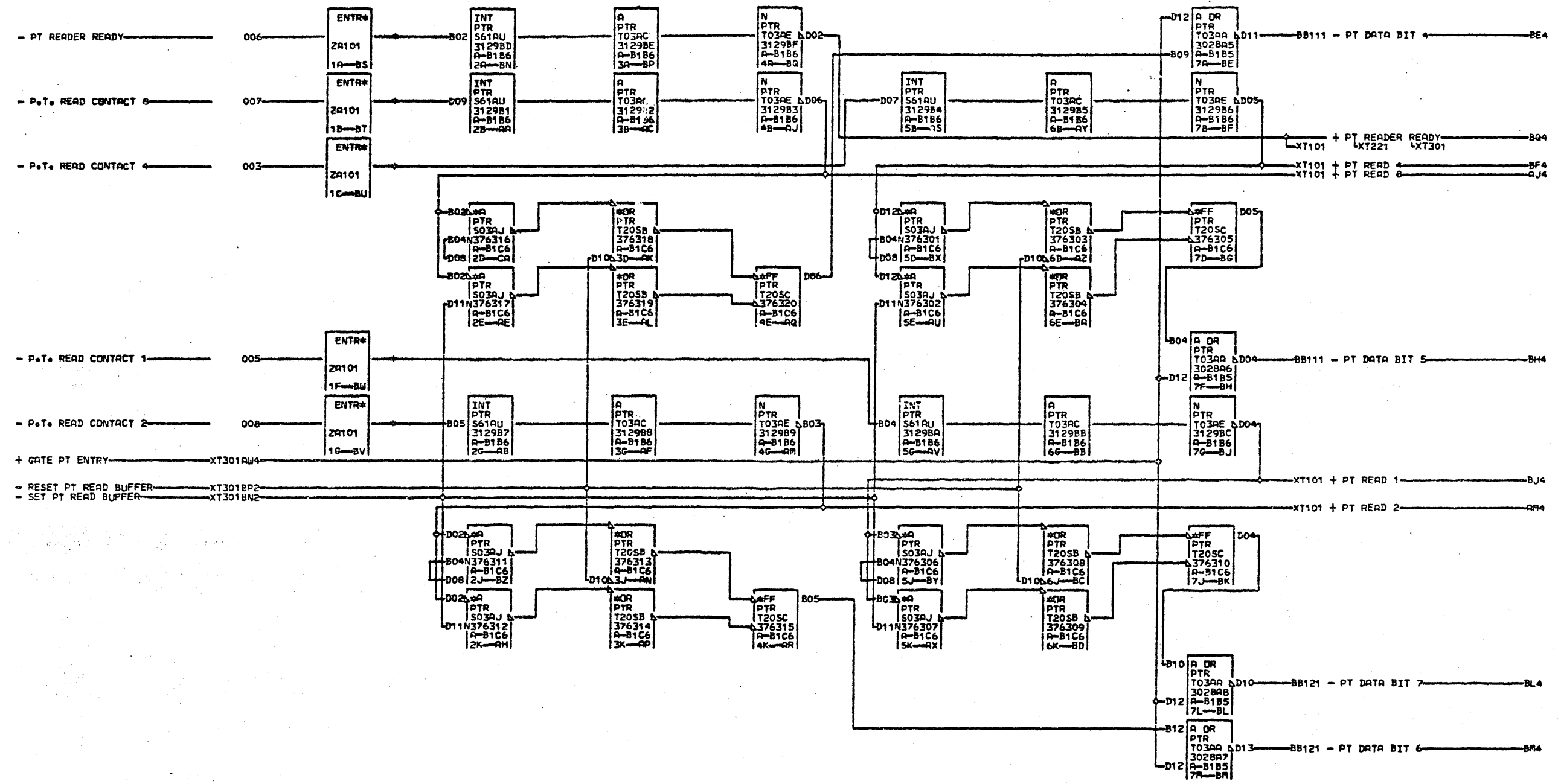


NOTE SINGLE SHOT  
ADJUSTMENT POT IS  
SITUATED AS FOLLOWS  
X PT READER SS - LOWER POT  
Y  
Z  
0  
1

AL4 A-11N7D04  
01A-C1A7D04  
BH4 A-11N7D05  
01A-C1A7D05  
01A-C1N6D05  
01B-A1A7D05

02-17-65 415480  
03-04-65 415480A  
04-28-65 415480D  
07-20-65 415481  
08-26-65 415483  
12-28-65 415725  
03-10-66 415709G  
05-09-66 415608

PAPER TAPE READ CLUTCH DRIVE		X
READY-BUSY-RESPONSE		Y
DATE	05-03-66 PACH# 1131	Z
LDC	123H FRAME	01
		0
		1
	P#No 2201292	
IBM CORP. GPD BLK. SB		



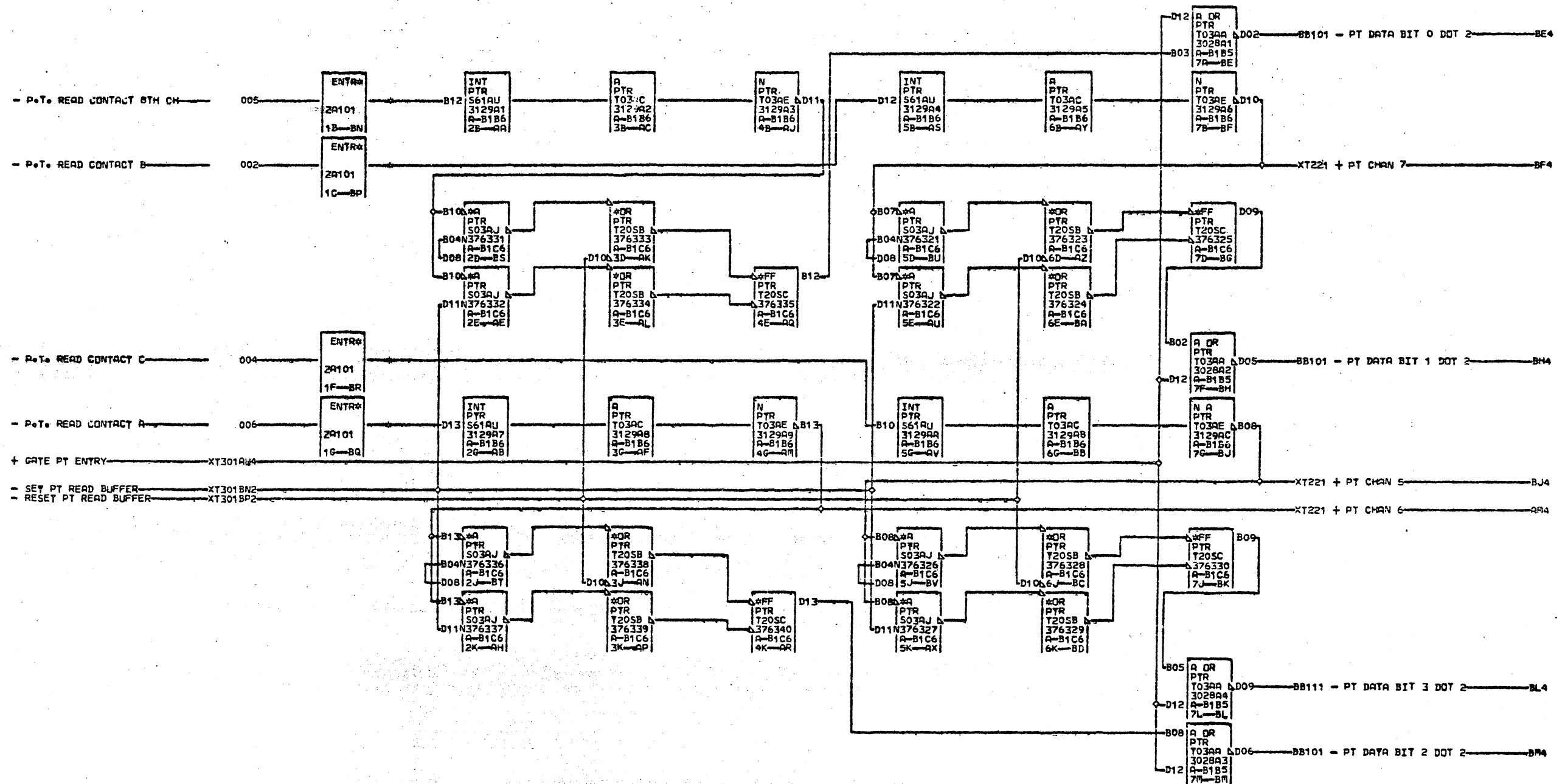
X  
T  
3  
1  
1

000

BS4 A-B1A6B03  
BT4 A-B1A6D09  
BU4 A-B1A6D07  
BV4 A-B1A6B05  
BW4 A-B1A6B04

02-17-65 415480  
04-28-65 415480D  
07-20-65 415481  
08-26-65 415483  
12-26-65 415725

PT READ CONTACTS 1 2 4 8			
STROBE DATA BITS 4 5 6 7			
DATE	01-10-66	PACH#	1131
LOG	004B FRAME	01	1
		PoNo	2201293
IBM CORP.	GPD BLK.	CB	000



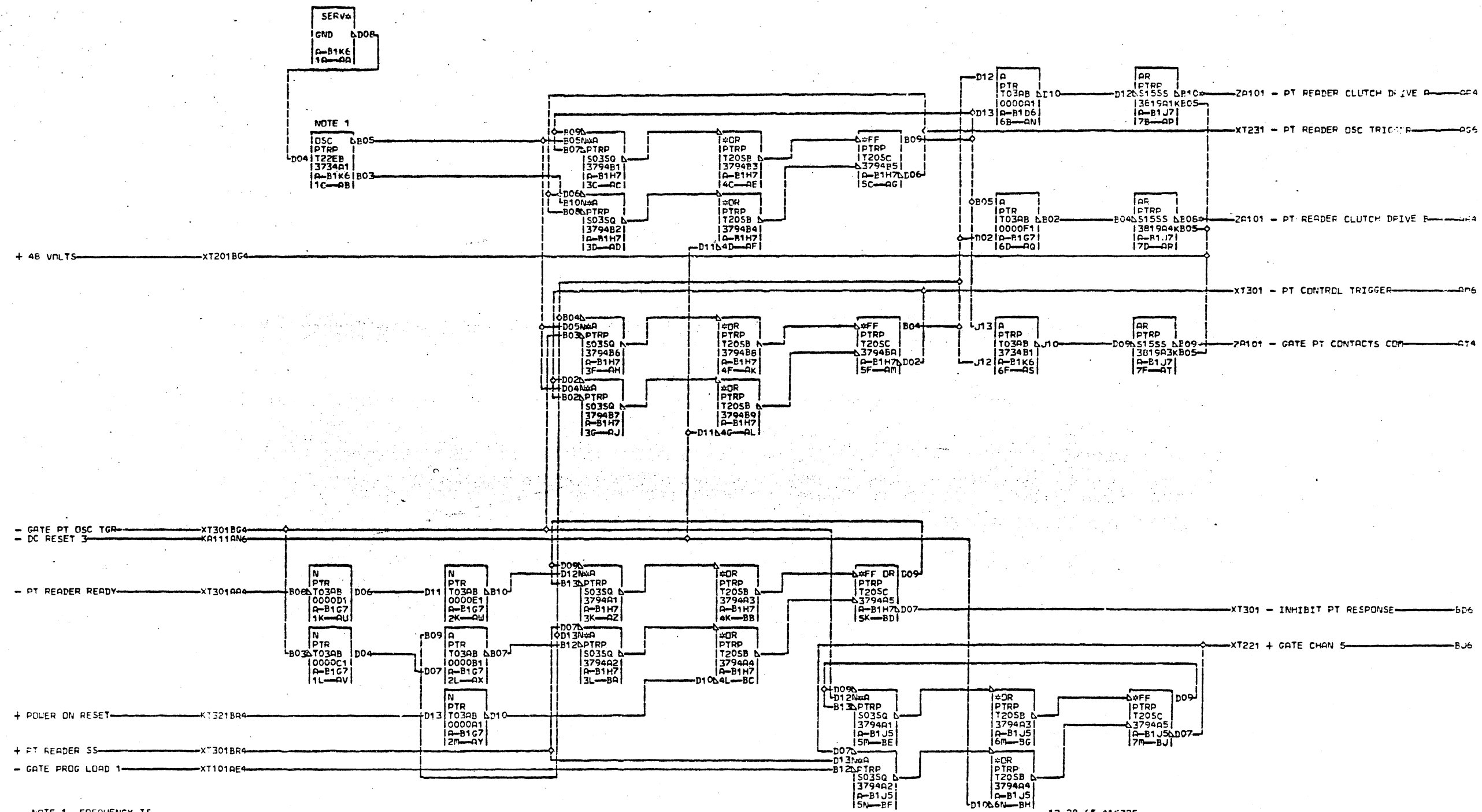
XT  
3  
2  
1

BN4 A-B1A6B12  
BP4 A-B1A6D12  
BQ4 A-B1A6D13  
BR4 A-B1A6B10

02-17-65 415480  
03-04-65 415480A  
04-28-65 415480D  
07-20-65 415481  
08-22-65 415483  
12-22-65 415725  
02-01-66 419603

PT READ CONTACTS A B C BTH		
DATA BITS 0 1 2 3		
DATE	02-15-66	RACH# 1131
LDG	046Q FRAME	01
	P.N#	2201210
IBM CORP.	GPD BLK#	BX

XT  
3  
2  
1



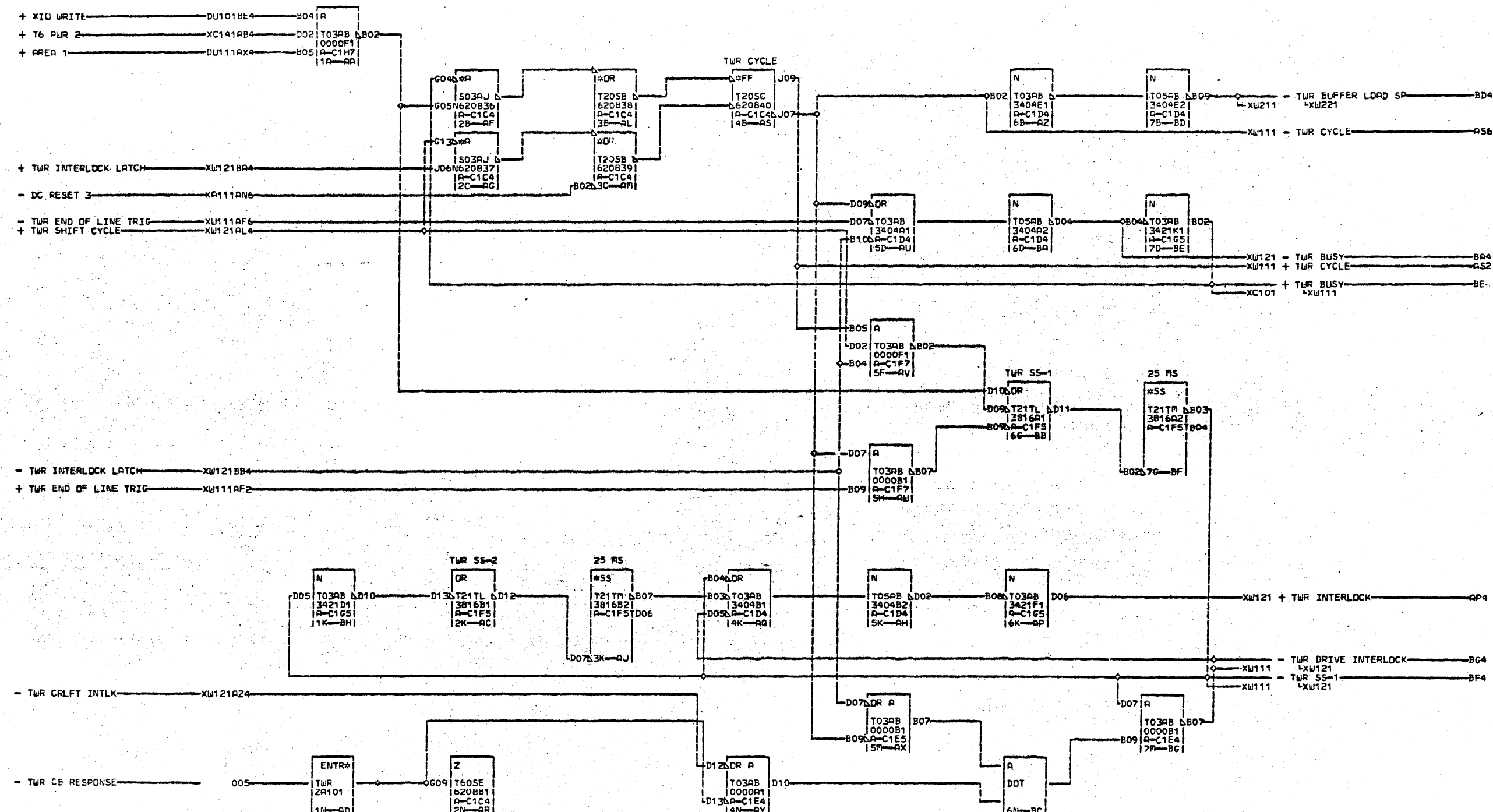
NOTE 1 FREQUENCY IS  
120 CPS. SEE  
PAGE A000 FOR  
SYMMETRY AND  
ADJUSTMENTS

AP4 A-B1A6D06  
AR4 A-B1A6D02  
AT4 A-B1A6B02

12-28-65 415725  
01-15-66 415726  
02-01-66 419603  
05-09-66 419608  
05-16-66 419609

PAPER TAPE READER OSC AND CONTROL			
DATE	05-09-66	FRCH#	1131
LOG	126C FRAME	01	3
		P#N#	22C1287
ITEM CORP.	SDD BLK.		TL



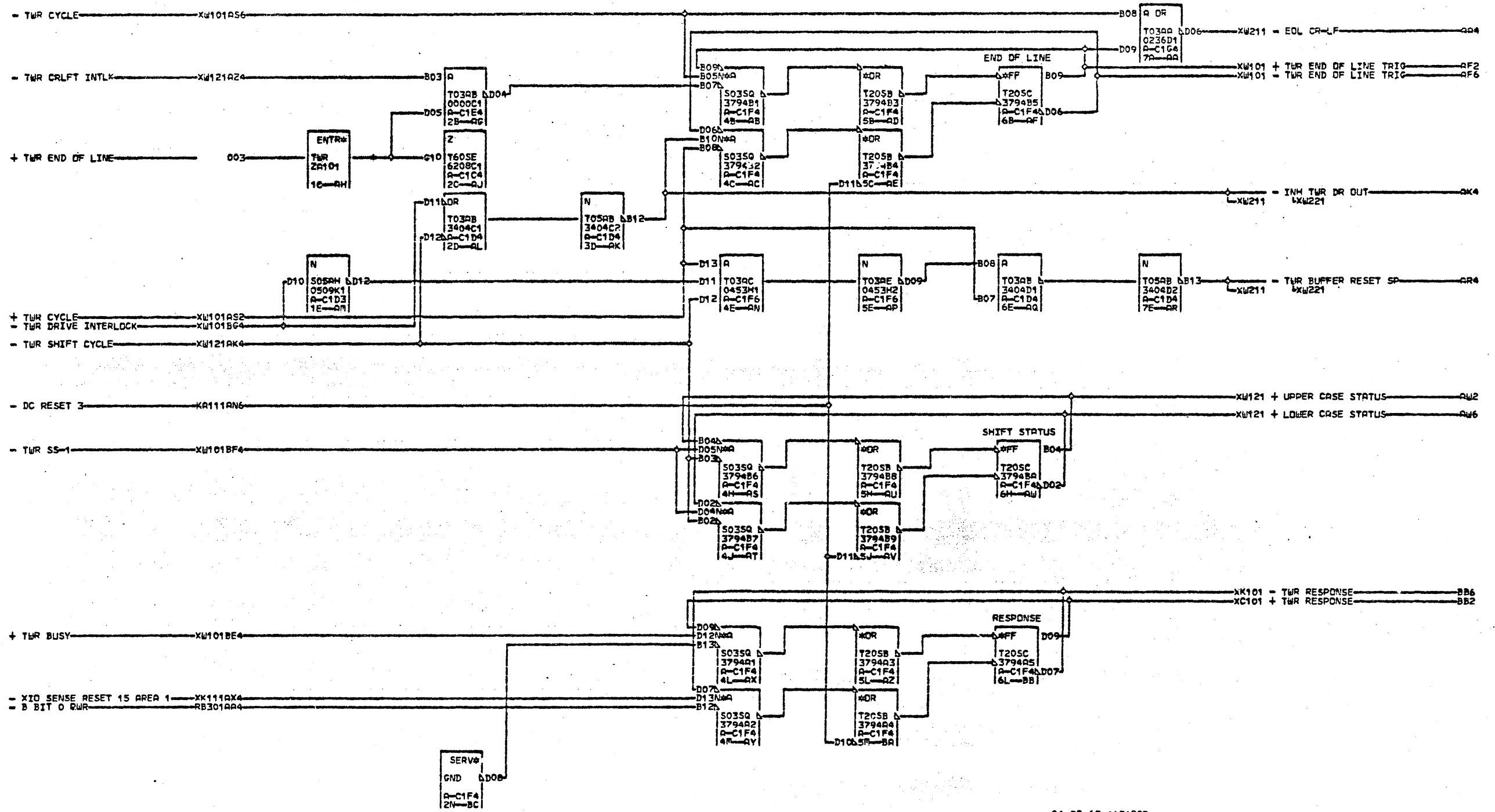


NOTE SINGLE SHOT  
ADJUSTMENT POTS ARE  
SITUATED AS FOLLOWS  
X TWR SS-1 - UPPER POT  
W TWR SS-2 - LOWER POT  
0  
1  
000

F04 A-C1A4D10

04-28-65 415480D  
07-20-65 415481  
08-26-65 415483

TWR BUSY	SS 1	TWR INTLK	X
DATE	09-01-65	MACH. 1131	W
LOG	244N	FRAME 01	1
		P. No. 2201211	1
IBM CORP.	GPD BLK.	BV	000

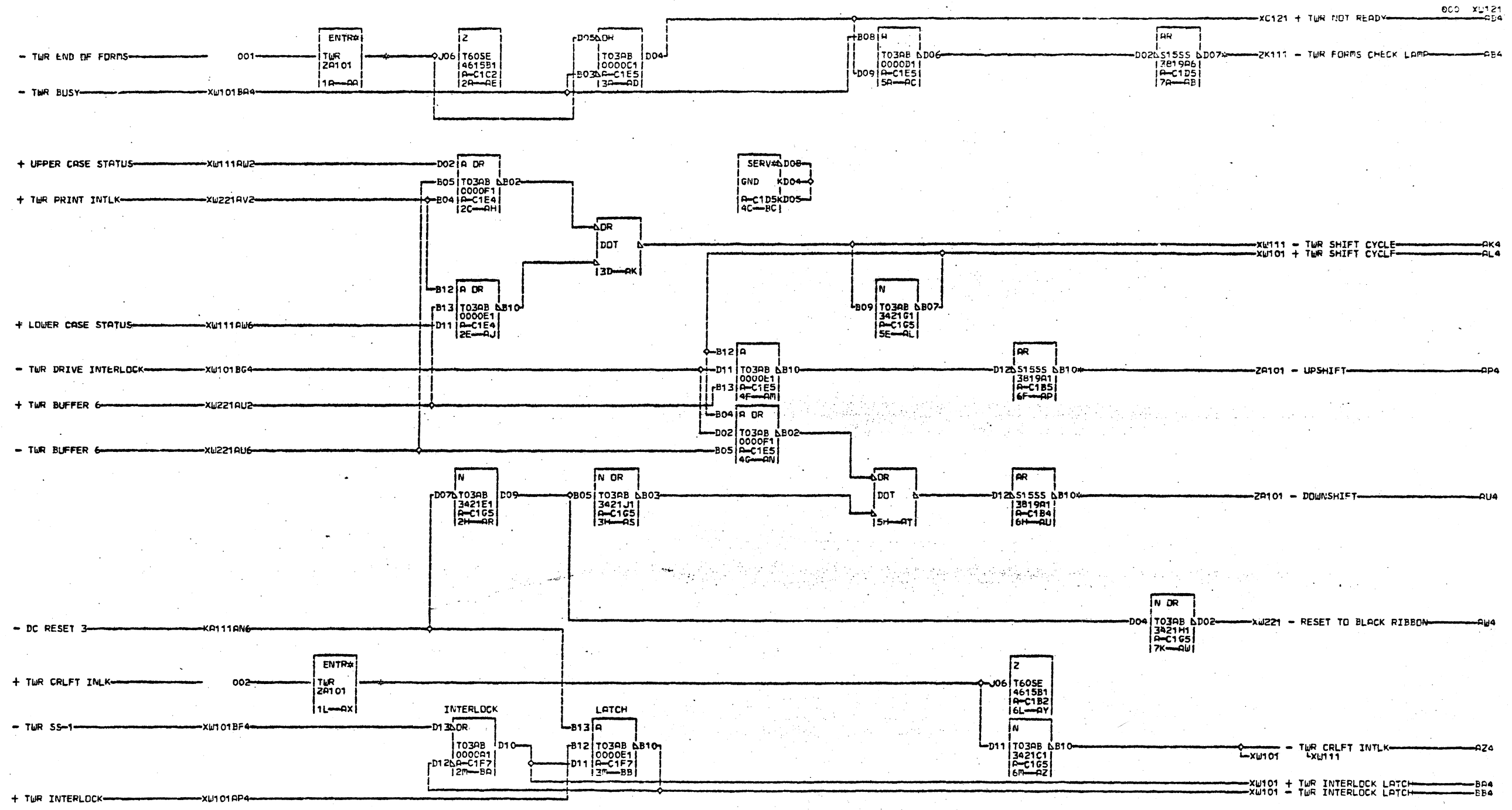


AM A-C1A4B09

04-28-65 415480D  
 07-20-65 415481  
 08-26-65 415483  
 04-04-66 419607

TWR EDL CR-LF RESET SP	
RESPONSE UPPER/LOWER CASE	
DATE	04-20-66 MACH. 1131
LOG	095E FR:ME 01
	P.A. 2201212
IBM CORP.	GPD BLK. BK

X  
 W  
 1  
 1  
 1  
 000

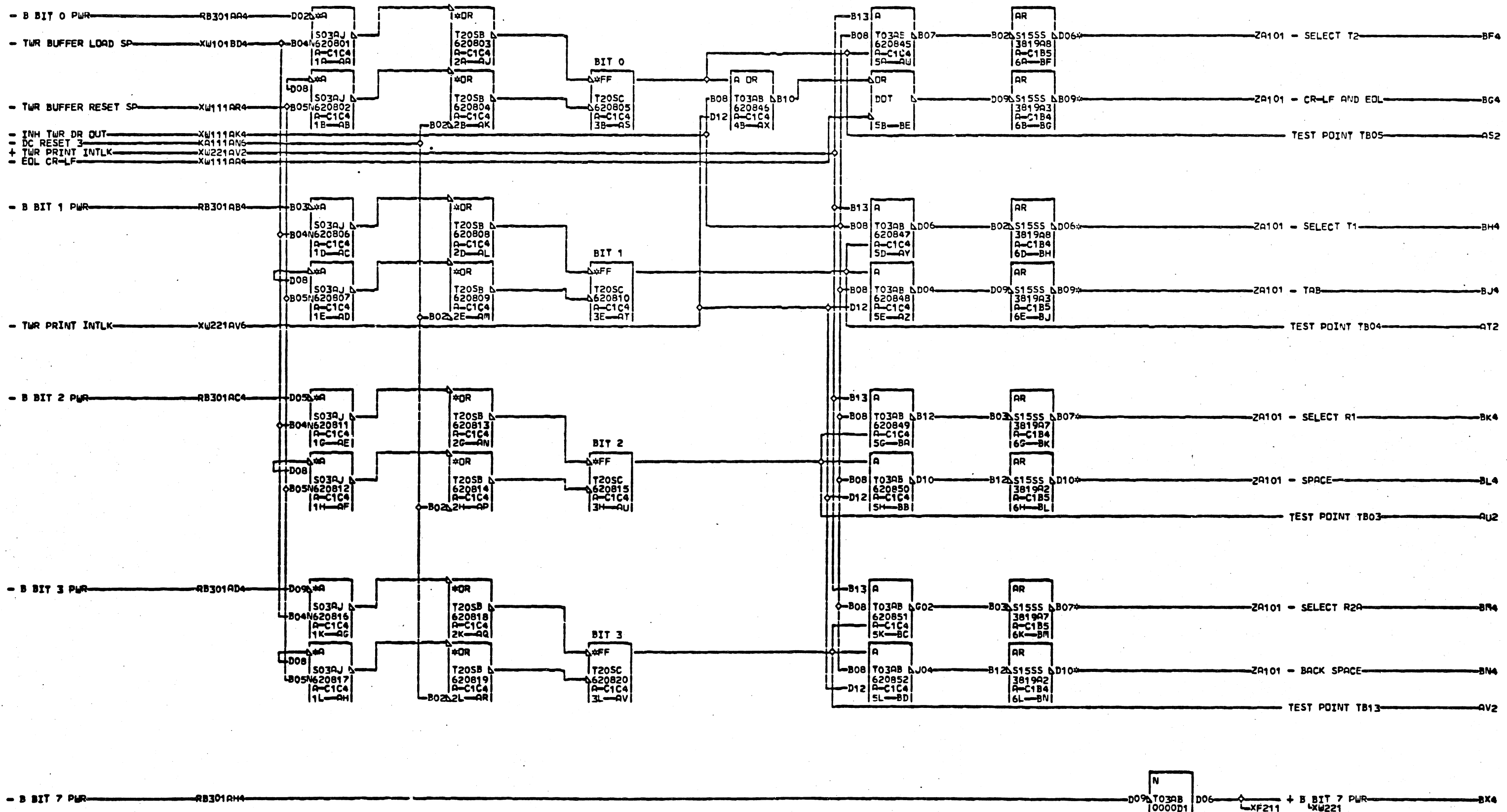


X  
W  
1  
2  
1  
000

AA4 A-C1A4D12  
 AB4 A-C1A5D13  
 AP4 A-C1A4B08  
 AU4 A-C1A4D09  
 AX4 A-C1A4B13

04-28-65 415480D  
 07-20-65 415481  
 08-26-65 415483

TWR SHIFT UP/DOWN SHIFT CYCLE	X
CRLFT INTLK INTERLOCK LATCH	W
DATE 09-01-65 MACH. 1131	1
LDG 244N FRAME	01 2
	1
P.N. 2201227	
IBM CORP. GPD BLK.	000
	BD



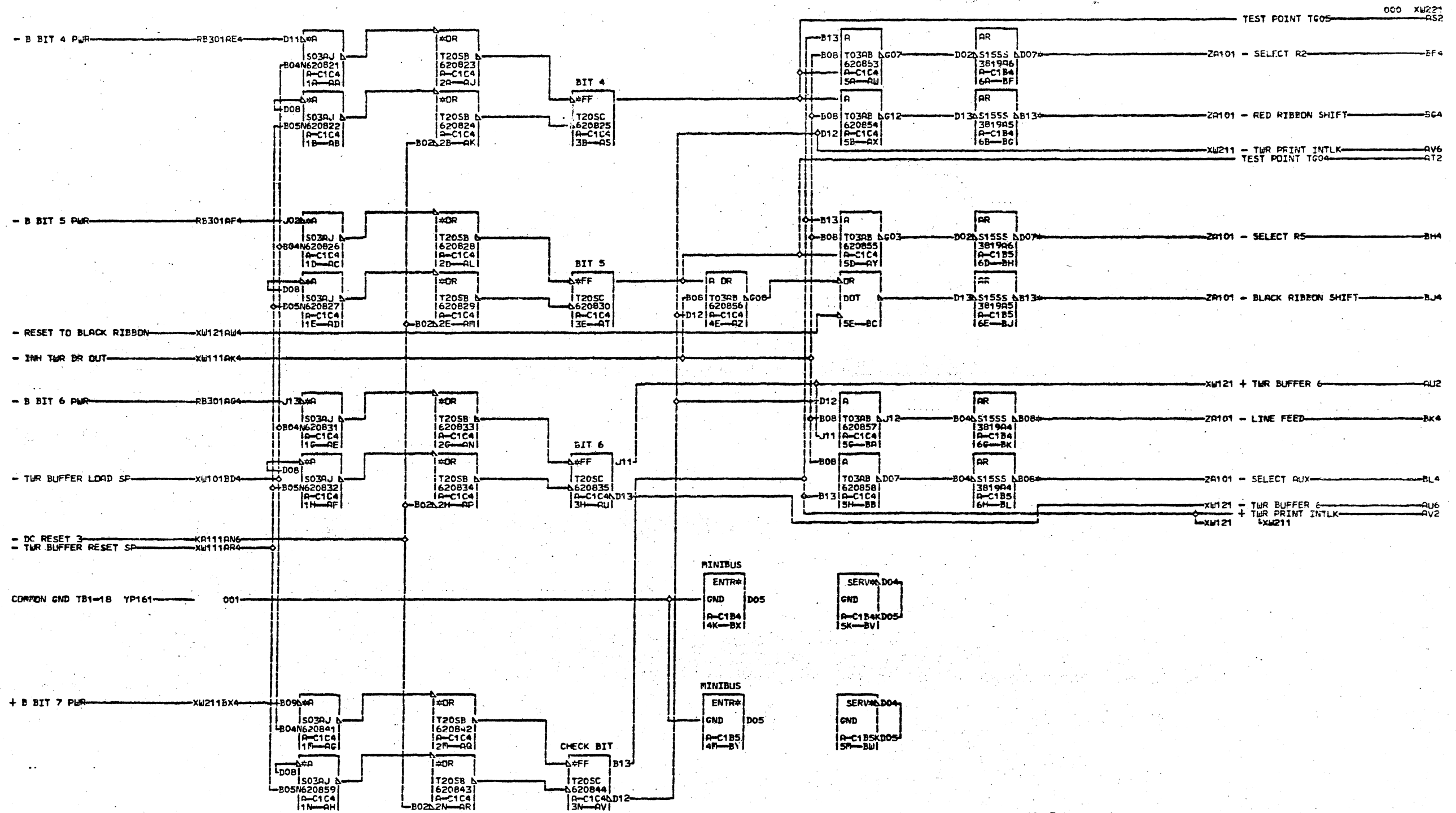
BF4 A-C1A4B02  
 BG4 A-C1A4D07  
 BH4 A-C1A4D02  
 BJ4 A-C1A4B07  
 BK4 A-C1A4D04  
 BL4 A-C1A4B10  
 BN4 A-C1A4B03  
 BN4 A-C1A4D11

02-17-65 415480  
 03-04-65 415480A  
 04-28-65 415480D  
 07-20-65 415481  
 08-26-65 415483  
 02-24-67 419633

TWR DRIVE SEL T1 T2 R1 R2A  
 CR-LF AND EOL TAB SPACE  
 DATE 03-09-67 MACH. 1131  
 LOG 047F FRAME 01  
 P.No. 2201213  
 IBM CORP. GPD BLK. BY

X  
 1  
 1  
 000

X  
 1  
 1  
 000



BF4 A-C1A4D05  
 BG4 A-C1A4D13  
 BH4 A-C1A4B04  
 BJ4 A-C1A4B12  
 BK4 A-C1A4D06  
 BL4 A-C1A4R05

02-17-65 415480  
 03-04-65 415480A  
 04-28-65 415480D  
 07-20-65 415481  
 08-26-65 415483  
 01-12-66 415499

TWR DRIVE SEL R2/R5/AUX		
RIBBON SHIFT PRINT INTLK		
DATE 01-13-66 MACH. 1131		
LOG	014L FRAME	01
P.N. 2201214		2
IBR CORP. GPD BLK.		1
		000

X  
 M  
 2  
 1  
 000