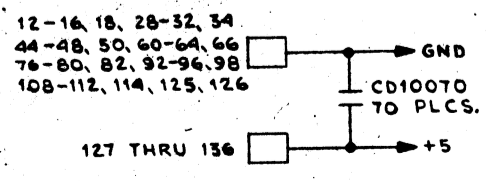
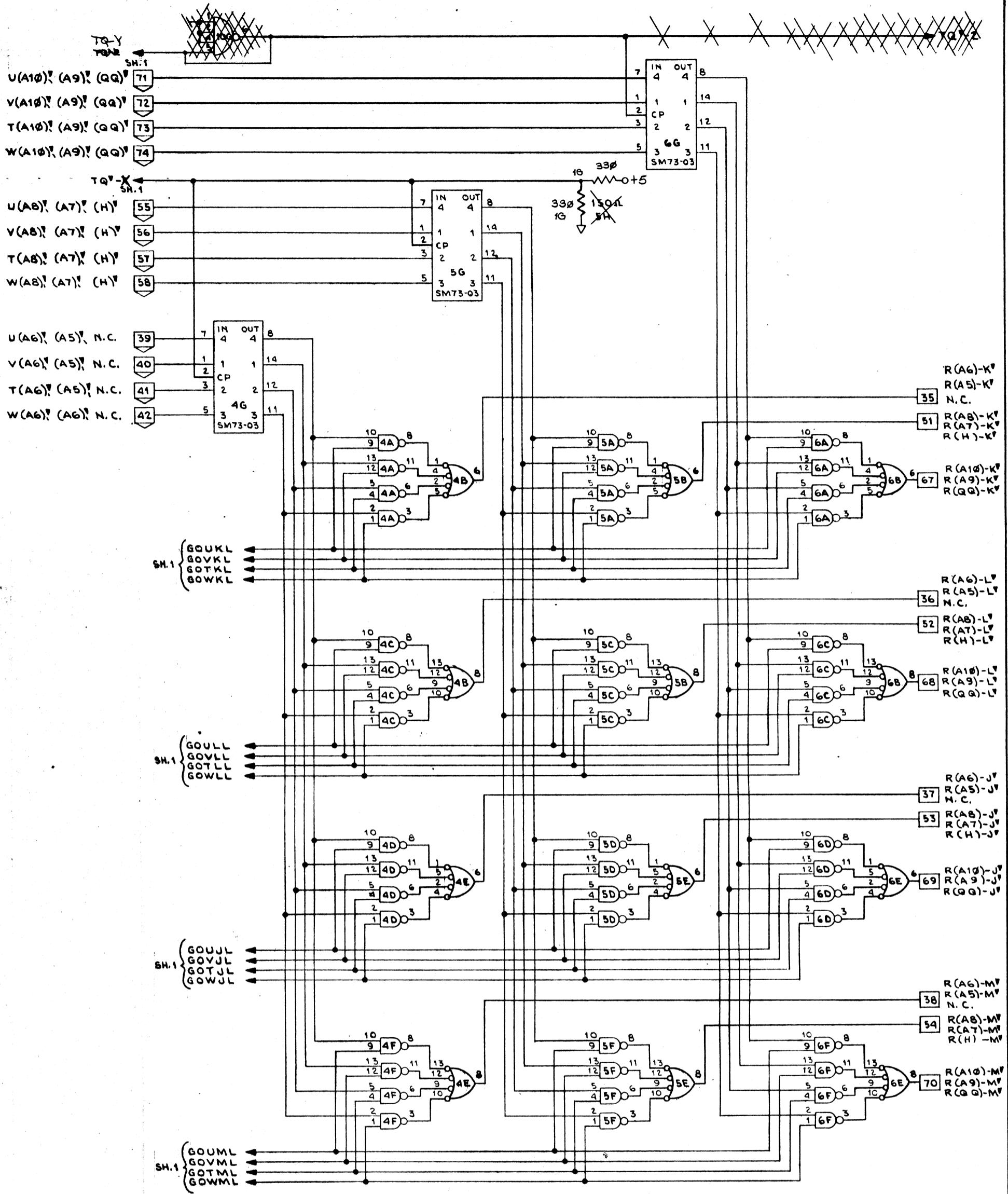


- NOTES: UNLESS OTHERWISE SPECIFIED.
1. ALL RESISTORS ARE 1/8W, 10%.
  2. ALL PULL UP NETWORKS ARE 1.2KΩ, 1/8W, 10%.
  3. ALL TERMINATORS ARE AT THE EDGE CONNECTOR.
  4. EVEN - B16  
ODD - B17  
NATURE - B18
  5. THESE ARE 745ΦΦ ON B17 ONLY (to speed up APAR)



B16 - Even  
B17 - Odd  
B18 - Nature

L00003	
	RELEASED DATE: _____ BY: _____
S. STOLICH M. J. KIRBY D. H. B. S. J.	NETWORKS REQUEST LATCH (EVEN BITS), (ODD BITS), (NATURE & PRIORITY) FIRST USED ON M1 FM L00003



L00003	
	S. TULLOH R. G. WILSON DATE: 4-13-70 DRAWN: M. WILSON
	REVISIONS 2 FIRST USED ON M1 FM 3 L00003
RELEASED DATE: _____ BY: _____	TITLE: <b>REQUEST LATCH</b> (EVEN BITS), (ODD BITS), (NATURE & PRIORITY)

